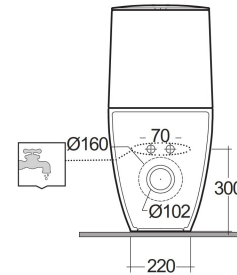
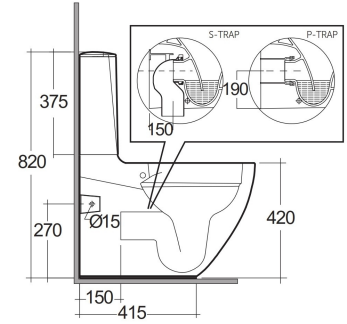
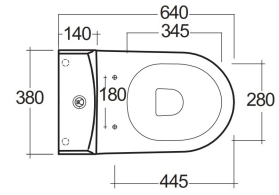


# RAK-DES - DESWC1146AWHA - W/HIDDEN FIXATIONS

Close Coupled | Water Closet

**RAK**  
CERAMICS



## TECHNICAL SPECIFICATIONS

Suite:	RAK-DES
Type:	Close Coupled
Dimensions:	640 x 380 mm
Weight:	30 Kg
Color:	Alpine White
Trap type:	P Trap & S Trap
Trapway type:	Concealed
Seat cover options:	Urea
Bowl shape:	Round
Soft close:	yes
Flush Type:	Dual Flush

Code	Name
SENWT1800AWHA	RAK-Sensation Water Tank with bottom inlet
DESWC1146AWHA	RAK-DES RIMLESS BACK TO WALL CLOSE COUPLED WC 64 CM P& S TRAP
DESSC3901WH	RAK-DES SOFT CLOSE UREA SEAT COVER
DESSC3900WH	RAK-DES UREA SEAT COVER
SENWT1801AWHA	RAK-Sensation Side Inlet

Dimensions: All dimensions in mm. Tolerance of vitreous china & fireclay items:  $\pm 5\%$  for below 200mm and  $\pm 3\%$  for above 200mm; for all other items tolerance  $\pm 1\%$ . Note: Due to a continuing development program to improve design and performance, the manufacturer reserves all rights to vary specifications without prior information. Please note accessories are for photographic use only.