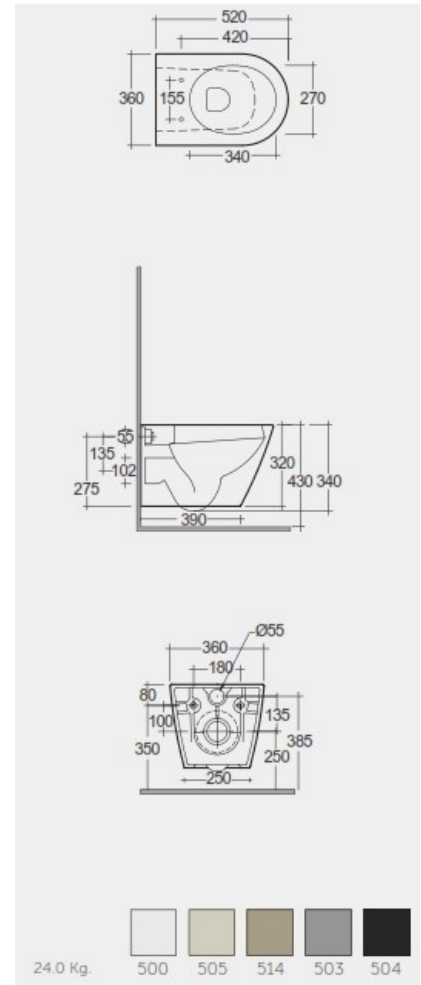


RAK-FEELING - RST23505A - MATT GREIGE

Wall Hung | Water Closet

RAK
CERAMICS



TECHNICAL SPECIFICATIONS

Suite:	RAK-FEELING WC'S & BIDETS
Type:	Wall Hung
Dimensions:	520 x 360 mm
Weight:	24 Kg
Color:	Matt Greige - 505
Trap type:	P Trap
Trapway type:	Concealed
Seat cover options:	Urea
Bowl shape:	Compact Oval
Soft close:	yes
Flush Type:	Dual Flush

Code	Name
FEEWHPAN505-SC	RAK-FEELING RIMLESS WALL HUNG WATER CLOSET 52 CM MATT GREIGE

Dimensions: All dimensions in mm. Tolerance of vitreous china & fireclay items: $\pm 5\%$ for below 200mm and $\pm 3\%$ for above 200mm; for all other items tolerance $\pm 1\%$. Note: Due to a continuing development program to improve design and performance, the manufacturer reserves all rights to vary specifications without prior information. Please note accessories are for photographic use only.