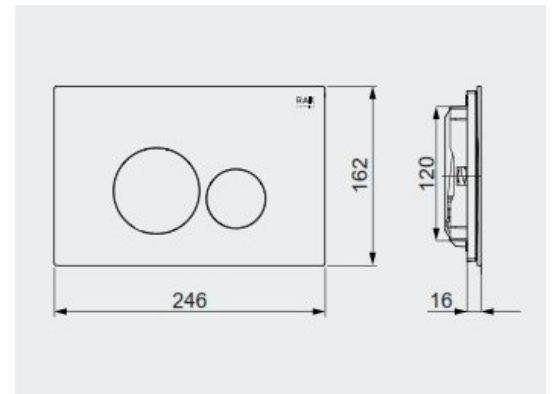
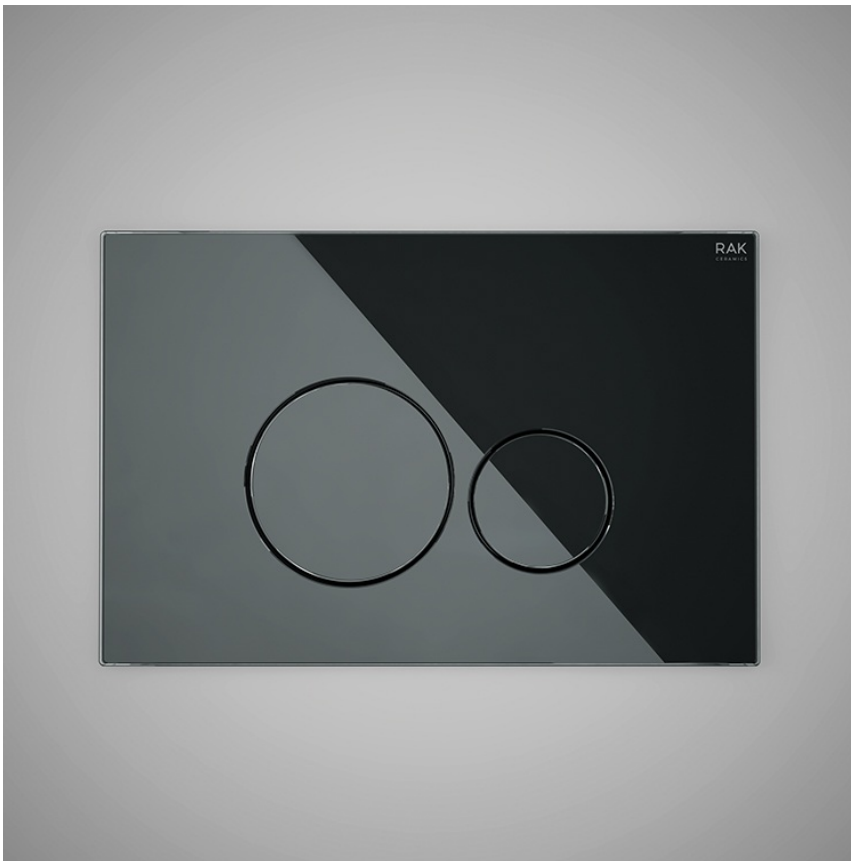


RAK-ECOFIX - FSRAPPL010

Push Plates

RAK
CERAMICS



TECHNICAL SPECIFICATIONS

Suite:	RAK-ECOFIX
Dimensions:	246 x 162 mm
Color:	BLACK GLASS

Code	Name
FSRAPPL010	ROUND PUSH PLATE BLACK GLASS

Dimensions: All dimensions in mm. Tolerance of vitreous china & fireclay items: $\pm 5\%$ for below 200mm and $\pm 3\%$ for above 200mm; for all other items tolerance $\pm 1\%$. Note: Due to a continuing development program to improve design and performance, the manufacturer reserves all rights to vary specifications without prior information. Please note accessories are for photographic use only.