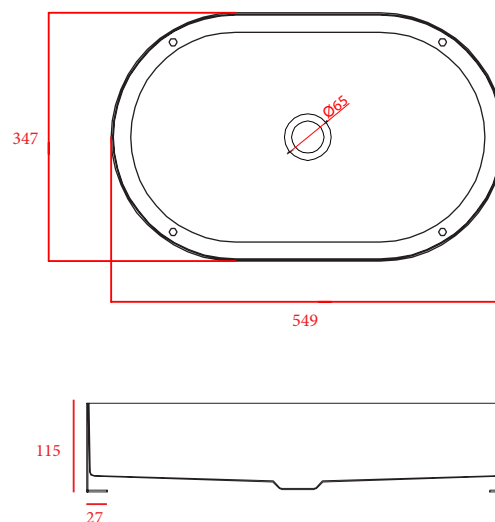


# RAK-Ingot

Oval Wash basin | 0TH

**RAK**  
CERAMICS



**Dimensions:** 550w x 350d x 115h

**Colour:** Brushed Nickel (N)

**Code:** RAKINGOVBAS55N

**Warranty:** 2 Years

**Weight:** 5.9 kg

**Material:** 3mm Stainless Steel

**Free Flow Waste:** Yes

Dimension: All Dimensions in mm tolerance  $\pm 5\%$  for below 200mm and  $\pm 3\%$  for above 200mm.

Note: Due to a continuing development programme to improve design and performance the manufacturer reserves all rights to vary specifications without prior information.

Please note all accessories are for photographic use only.