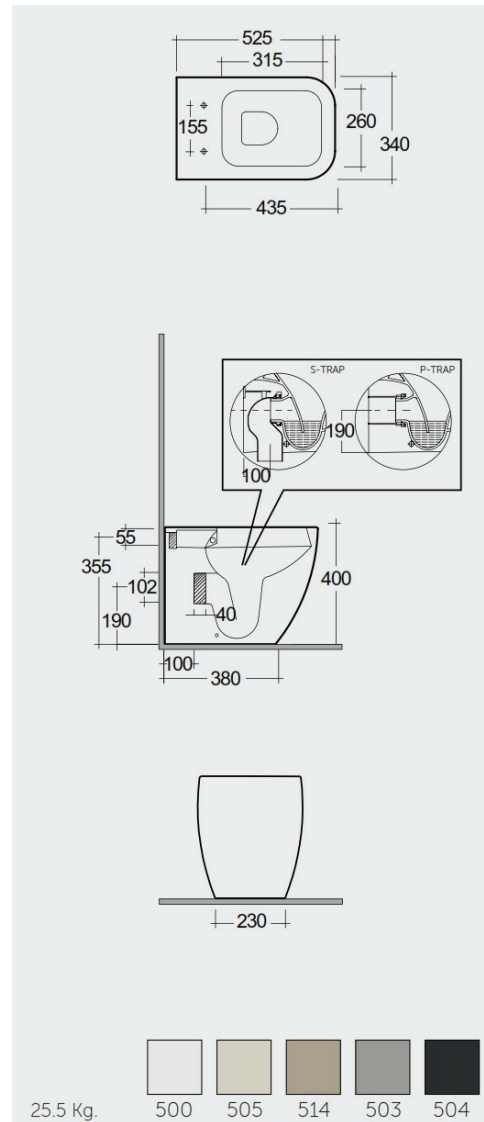


# RAK-FEELING - MP34505A - MATT GREIGE

Back to Wall | Water Closet

**RAK**  
CERAMICS



## Technical specifications

Dimensions:	525 x 340 mm
Weight:	25.5 Kg
Color:	Matt Greige - 505
Trap type:	P Trap & S Trap
Trapway type:	Concealed
Seat cover options:	Urea
Bowl shape:	Rounded Rectangle
Soft close:	yes
Quick remove seat cover:	yes
Flush Type:	Dual Flush
Suites:	<a href="#">RAK-FEELING WC'S &amp; BIDETS</a>

Code	Name
MP34505A	RIMLESS BACK TO WALL WATER CLOSET P & S TRAP 52 CM - MATT GREIGE
MPSC3901505	SOFT CLOSE QUICK RELEASE SEAT COVER MATT GREIGE

Dimensions: All dimensions in mm. Tolerance of vitreous china & fireclay items:  $\pm 5\%$  for below 200mm and  $\pm 3\%$  for above 200mm; for all other items tolerance  $\pm 1\%$ . Note: Due to a continuing development program to improve design and performance, the manufacturer reserves all rights to vary specifications without prior information. Please note accessories are for photographic use only.