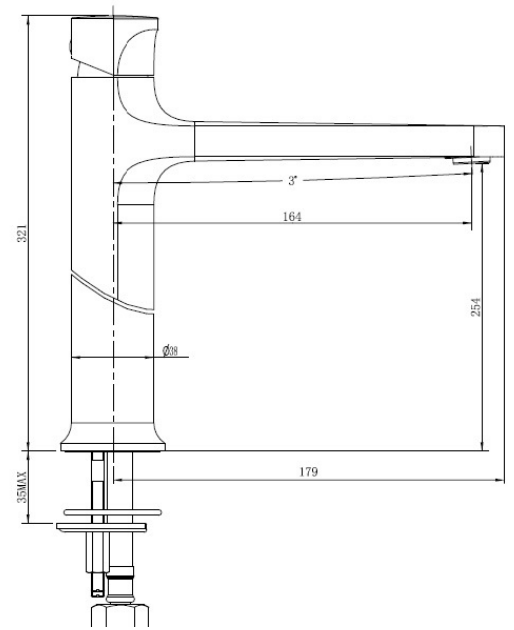


RAK-POSITANO - RAKPOS3003G

Faucets

RAK
CERAMICS



TECHNICAL SPECIFICATIONS

Type:	RAK-Positano - RAKPOS3003G
Dimensions:	321 x 38 mm
Pressure:	1 l
Weight:	1.76 Kg
Chrome thickness:	0.00
Cartridge:	No
Tail:	NA
Handset wall brackets:	No
Color:	Brush Gold

Code	Name
RAKPOS3003G	RAK-Positano Tall Basin Mixer in Brushed Gold

Dimensions: All dimensions in mm. Tolerance of vitreous china & fireclay items: $\pm 5\%$ for below 200mm and $\pm 3\%$ for above 200mm; for all other items tolerance $\pm 1\%$. Note: Due to a continuing development program to improve design and performance, the manufacturer reserves all rights to vary specifications without prior information. Please note accessories are for photographic use only.