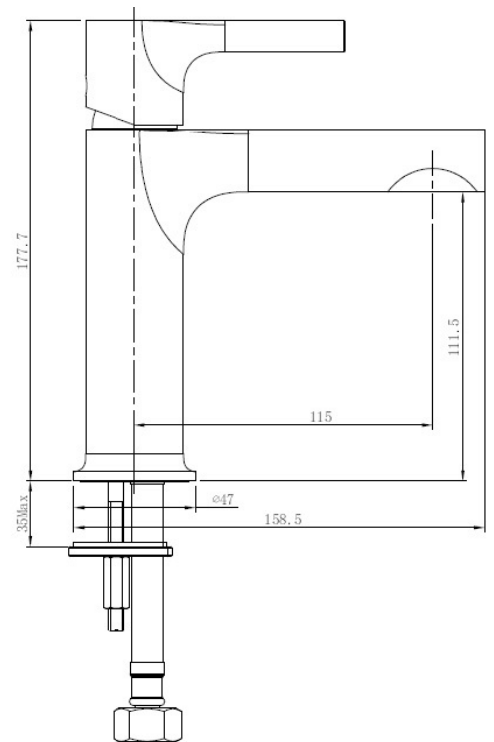


RAK-SORRENTO - RAKSOR3001N

Faucets

RAK
CERAMICS



TECHNICAL SPECIFICATIONS

Type:	RAK-SORRENTO - RAKSOR3001N
Dimensions:	178 x 47 mm
Pressure:	1 l
Weight:	1.03 Kg
Chrome thickness:	0.00
Cartridge:	No
Tail:	NA
Handset wall brackets:	Yes
Color:	Brushed Nickel

Code	Name
RAKSOR3001N	RAK-Sorrento Standard Basin Mixer in Brushed Nickel

Dimensions: All dimensions in mm. Tolerance of vitreous china & fireclay items: $\pm 5\%$ for below 200mm and $\pm 3\%$ for above 200mm; for all other items tolerance $\pm 1\%$. Note: Due to a continuing development program to improve design and performance, the manufacturer reserves all rights to vary specifications without prior information. Please note accessories are for photographic use only.