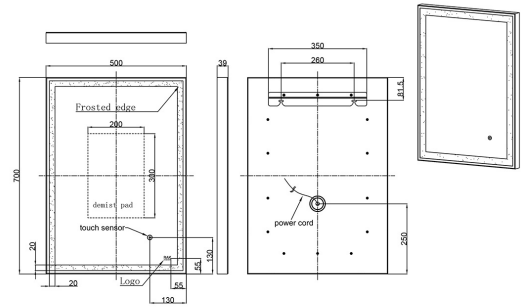


# RAK-ART SQUARE - RAKARTSQCP5001

## RAK-ART SQUARE - RAKARTSQCP5001 Mirrors and Lights

**RAK**  
CERAMICS



### TECHNICAL SPECIFICATIONS

Type:	RAK-ART SQUARE - RAKARTSQCP5001
Dimensions:	700 x 500 x 39 mm
Weight:	6.40 Kg
Color:	Mirror
Light:	Yes
Cable:	NA

Code	Name
RAKARTSQCP5001	RAK-ART SQUARE - 500 x 700 Rectangle Mirror - chrome

Dimensions: All dimensions in mm. Tolerance of vitreous china & fireclay items:  $\pm 5\%$  for below 200mm and  $\pm 3\%$  for above 200mm; for all other items tolerance  $\pm 1\%$ . Note: Due to a continuing development program to improve design and performance, the manufacturer reserves all rights to vary specifications without prior information. Please note accessories are for photographic use only.