

## ICONICA 18/10 STAINLESS STEEL SINK

ICN9501/



**Size: 950 x 508 mm**

Modern looks paired with practical functionality, Iconica features a flat drainer design complemented with large bowls, ideal for washing larger pots and pans.

- Micro-sheen finish
- Reversible drainer
- Hygienic rectangular overflow design
- Waste kit and cover included

# RANGEMASTER

## SINKS & TAPS

Material	18/10 Stainless Steel
Material Gauge	0.9
Material Finish Bowl	Micro-Sheen™ Soft Brushed Finish
Material Finish Drainer	Micro-Sheen™ Soft Brushed Finish
Drainer Position	Reversible
Overall Length (mm)	950
Overall Width (mm)	508
Main Bowl Length (mm)	400
Main Bowl Width (mm)	400
Main Bowl Depth (mm)	205
Second Bowl Length (mm)	-
Second Bowl Width (mm)	-
Second Bowl Depth (mm)	-
Tap hole Size (mm)	1 x 35
Waste Size (mm)	1 x 90
Waste Kit	Included with sink (1 x 90 BSW, overflow kit & waste cover)
Min. Base Unit (mm)	600
Cutout Size Length (mm)	930
Cutout Size Width (mm)	488
Warranty Sinks (years)	25
Product Code	ICN9501/
Barcode	5015834057217

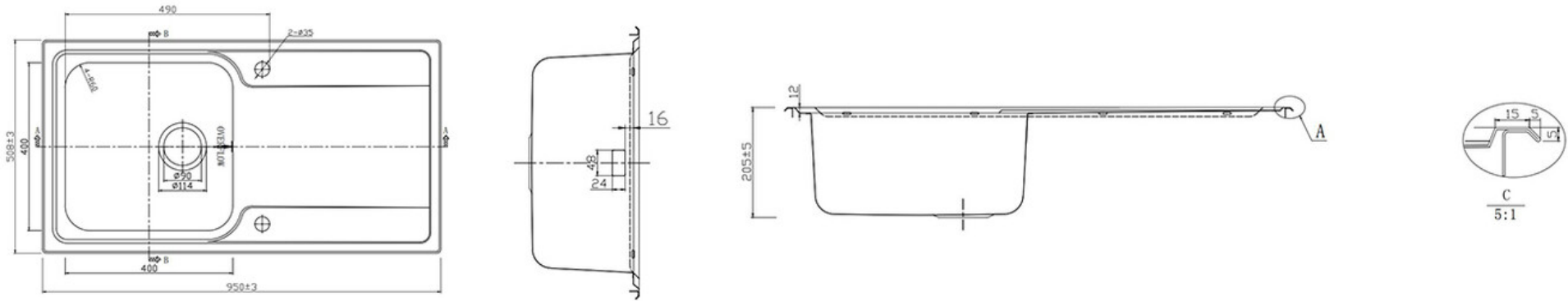
Date of download: July 02, 2024

AGA Rangemaster continuously seeks improvements in specification, design and production of products and thus, alterations take place periodically. Whilst every effort is made to produce up-to date resources, the information included here is intended as a guide. Always refer to the product's installation instructions when fitting, installation work should be completed a professional tradesman.

# ICONICA 18/10 STAINLESS STEEL SINK

ICN9501/

## Technical Drawing



Date of download: July 02, 2024

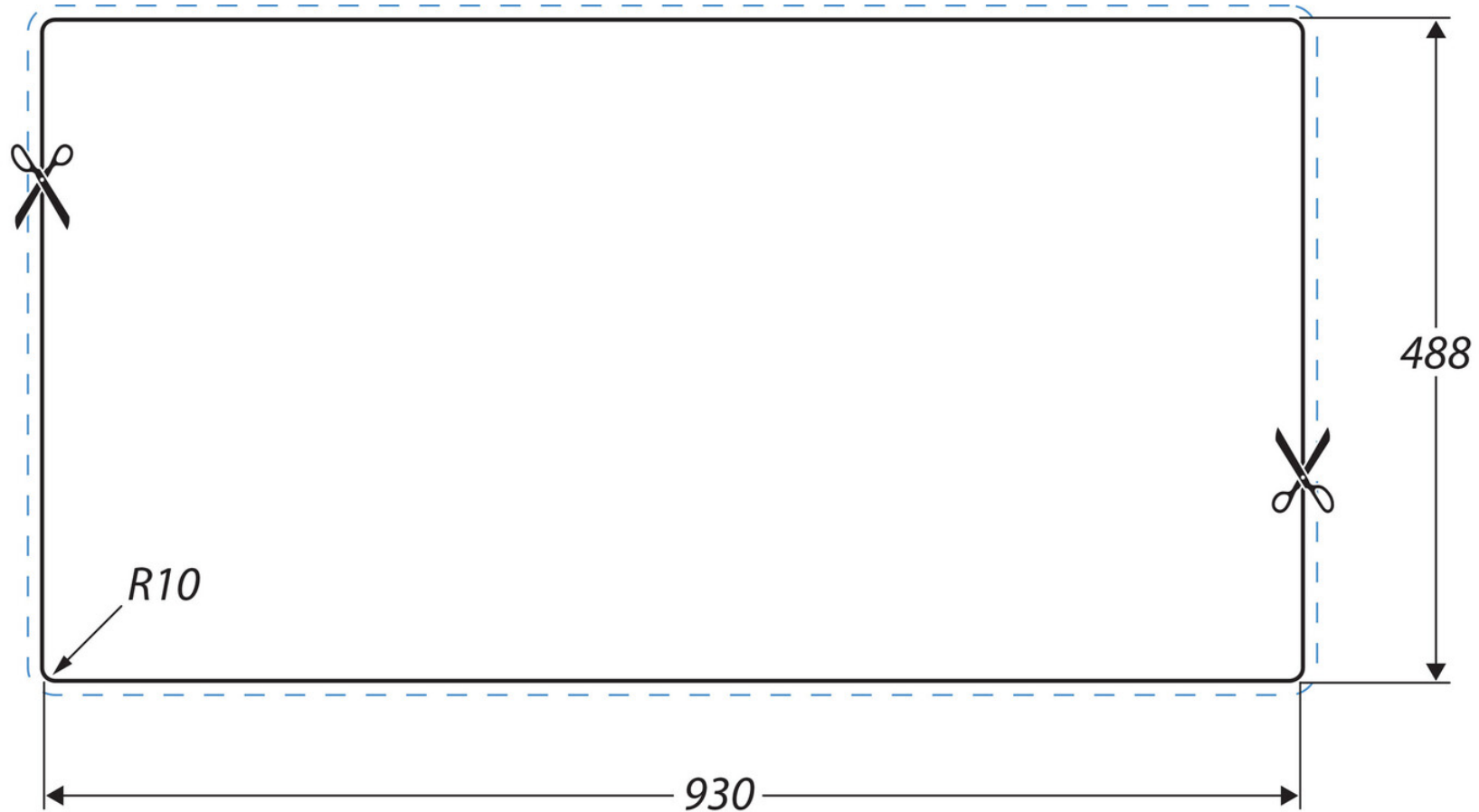
AGA Rangemaster continuously seeks improvements in specification, design and production of products and thus, alterations take place periodically. Whilst every effort is made to produce up-to date resources, the information included here is intended as a guide. Always refer to the product's installation instructions when fitting, installation work should be completed a professional tradesman.

# ICONICA 18/10 STAINLESS STEEL SINK

ICN9501/

## Cut Out Template

Dimensions in mm. Not to scale.



Date of download: July 02, 2024

AGA Rangemaster continuously seeks improvements in specification, design and production of products and thus, alterations take place periodically. Whilst every effort is made to produce up-to date resources, the information included here is intended as a guide. Always refer to the product's installation instructions when fitting, installation work should be completed a professional tradesman.