

ORIDIAN INSET IGNEOUS GRANITE SINK

ORI7902CO/



Size: 790 x 500 mm

Create a modern finished look with the addition of an Oridian granite bowl.

The Oridian collection features large bowls offering ample space to wash large pots and pans, available in separate inset and undermount collections.

- Igneous granite material, 80% quartz & 20% acrylic
- Large bowls
- Separate inset and undermount collections
- Waste kit included

RANGEMASTER

SINKS & TAPS

Material	Igneous Granite
Material Gauge	-
Material Finish Bowl	-
Material Finish Drainer	-
Drainer Position	
Overall Length (mm)	790
Overall Width (mm)	500
Main Bowl Length (mm)	343
Main Bowl Width (mm)	395
Main Bowl Depth (mm)	210
Second Bowl Length (mm)	343
Second Bowl Width (mm)	395
Second Bowl Depth (mm)	210
Tap hole Size (mm)	1 x 35
Waste Size (mm)	2 x 90
Waste Kit	Included with sink (2 x 89mm BSW & overflow kit)
Min. Base Unit (mm)	800
Cutout Size Length (mm)	770
Cutout Size Width (mm)	480
Warranty Sinks (years)	20
Product Code	ORI7902CO/
Barcode	5015834056784

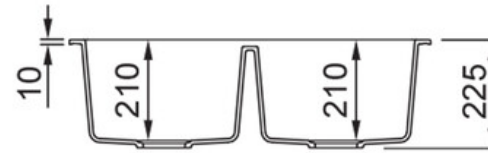
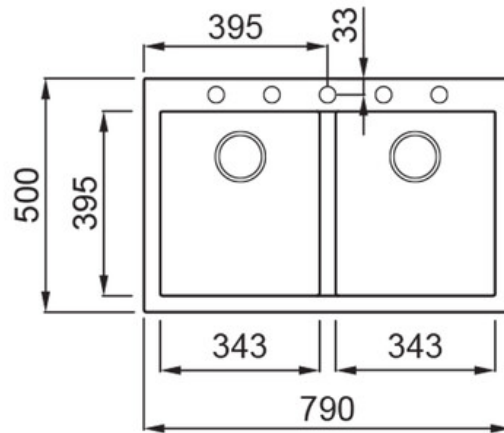
Date of download: August 23, 2024

AGA Rangemaster continuously seeks improvements in specification, design and production of products and thus, alterations take place periodically. Whilst every effort is made to produce up-to date resources, the information included here is intended as a guide. Always refer to the product's installation instructions when fitting, installation work should be completed a professional tradesman.

ORIDIAN INSET IGNEOUS GRANITE SINK

ORI7902CO/

Technical Drawing



Date of download: August 23, 2024

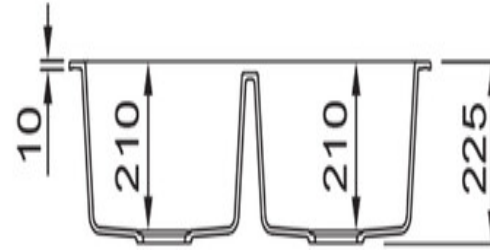
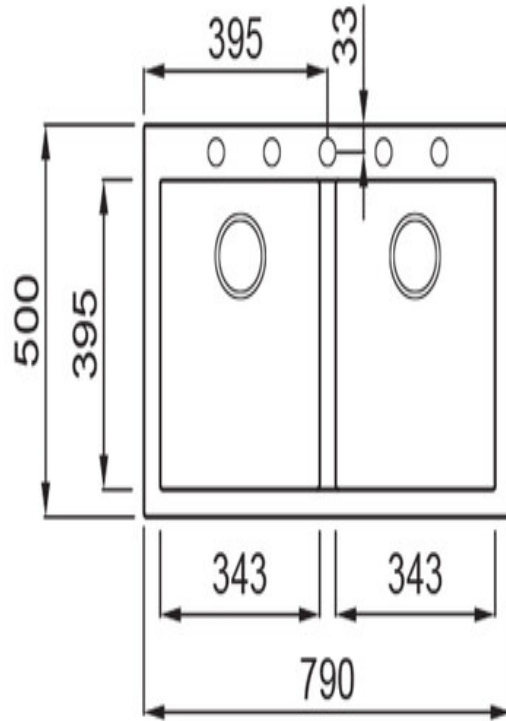
AGA Rangemaster continuously seeks improvements in specification, design and production of products and thus, alterations take place periodically. Whilst every effort is made to produce up-to date resources, the information included here is intended as a guide. Always refer to the product's installation instructions when fitting, installation work should be completed a professional tradesman.

ORIDIAN INSET IGNEOUS GRANITE SINK

ORI7902CO/

Cut Out Template

Dimensions in mm. Not to scale.



Date of download: August 23, 2024

AGA Rangemaster continuously seeks improvements in specification, design and production of products and thus, alterations take place periodically. Whilst every effort is made to produce up-to date resources, the information included here is intended as a guide. Always refer to the product's installation instructions when fitting, installation work should be completed a professional tradesman.