

GRANGE FIRE CLAY CERAMIC SINK

CGR595MB/

RANGEmaster
sinks & taps



Size: 595 x 455 mm

The Grange Belfast features slim profile walls with sharper radius corners - offering a contemporary sit-on Belfast option which benefits from a slightly larger bowl.

- Slim profile walls offer a contemporary look
- Rangemaster branded
- Waste and plumbing kit included
- Available in Gloss White & Matt Black

Material	Fire clay Ceramic
Material Gauge	
Material Finish Bowl	Matt Black
Material Finish Drainer	Matt Black
Drainer Position	Reversible
Overall Length (mm)	595
Overall Width (mm)	455
Main Bowl Length (mm)	555
Main Bowl Width (mm)	415
Main Bowl Depth (mm)	227
Second Bowl Length (mm)	-
Second Bowl Width (mm)	-
Second Bowl Depth (mm)	-
Tap hole Size (mm)	
Waste Size (mm)	1 x 60
Waste Kit	Included with sink (1 x 60mm BSW & overflow kit)
Min. Base Unit (mm)	600
Cutout Size Length (mm)	
Cutout Size Width (mm)	
Warranty Sinks (years)	0
Product Code	CGR595MB/
Barcode	5015834052762

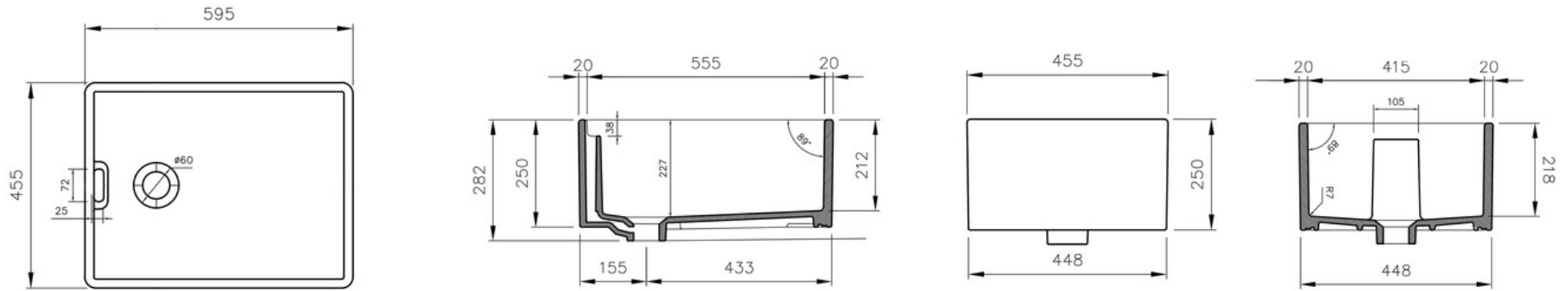
Date of download: July 18, 2023

AGA Rangemaster continuously seeks improvements in specification, design and production of products and thus, alterations take place periodically. Whilst every effort is made to produce up-to date resources, the information included here is intended as a guide. Always refer to the product's installation instructions when fitting, installation work should be completed a professional tradesman.

GRANGE FIRE CLAY CERAMIC SINK

CGR595MB/

Technical Drawing



Date of download: July 18, 2023

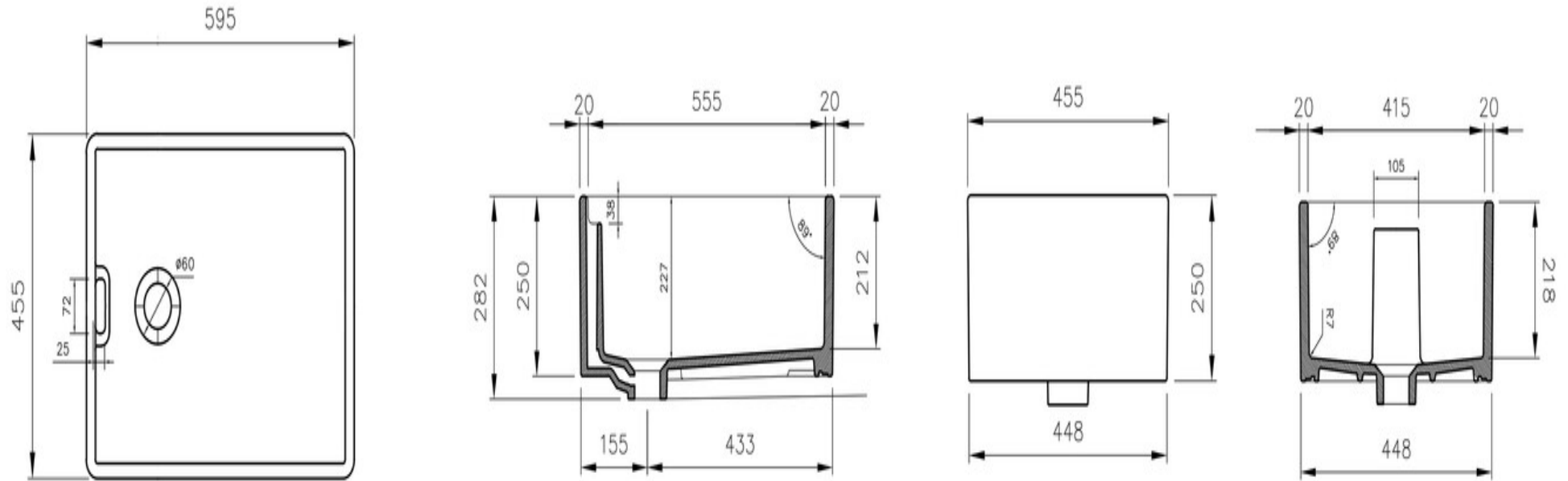
AGA Rangemaster continuously seeks improvements in specification, design and production of products and thus, alterations take place periodically. Whilst every effort is made to produce up-to date resources, the information included here is intended as a guide. Always refer to the product's installation instructions when fitting, installation work should be completed a professional tradesman.

GRANGE FIRE CLAY CERAMIC SINK

CGR595MB/

Cut Out Template

Dimensions in mm. Not to scale.



Date of download: July 18, 2023

AGA Rangemaster continuously seeks improvements in specification, design and production of products and thus, alterations take place periodically. Whilst every effort is made to produce up-to date resources, the information included here is intended as a guide. Always refer to the product's installation instructions when fitting, installation work should be completed a professional tradesman.