

COSMO 18/10 STAINLESS STEEL INSET SINK

CSM60/

RANGEmaster
sinks & taps



Size: 600 x 515 mm

Featuring a slim profile top plate, the Cosmo sink sits flat against a worktop providing a sleek, contemporary finished look when installed. Available in single bowl, designed to fit standard 600mm cabinets.

- Contemporary on-trend design
- Micro-sheen finish
- Rectangular overflow waste kit included
- Manufactured from 1.0mm gauge material

Material	18/10 Stainless Steel
Material Gauge	1
Material Finish Bowl	Micro-sheen finish
Material Finish Drainer	
Drainer Position	
Overall Length (mm)	600
Overall Width (mm)	515
Main Bowl Length (mm)	550
Main Bowl Width (mm)	400
Main Bowl Depth (mm)	200
Second Bowl Length (mm)	-
Second Bowl Width (mm)	-
Second Bowl Depth (mm)	-
Tap hole Size (mm)	1 x 35
Waste Size (mm)	1 x 90
Waste Kit	
Min. Base Unit (mm)	600
Cutout Size Length (mm)	580
Cutout Size Width (mm)	495
Warranty Sinks (years)	10
Product Code	CSM60/
Barcode	5015834052786

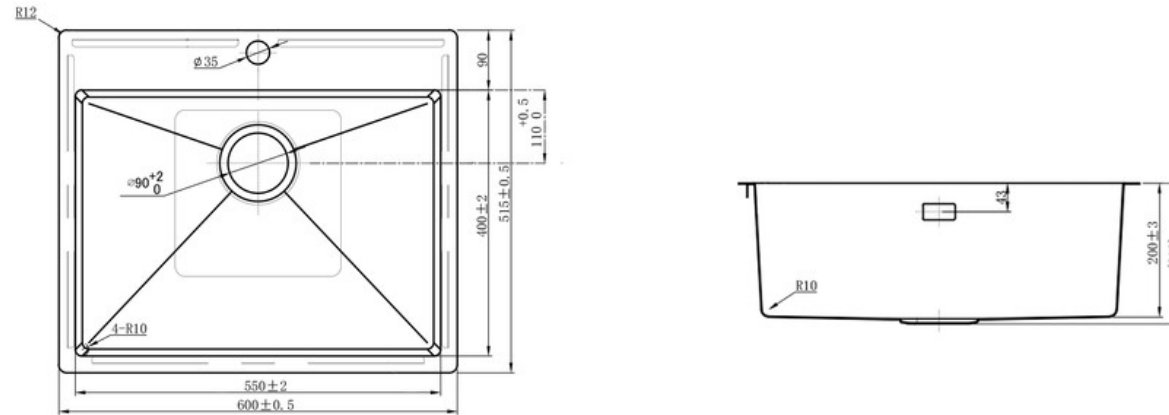
Date of download: July 19, 2023

AGA Rangemaster continuously seeks improvements in specification, design and production of products and thus, alterations take place periodically. Whilst every effort is made to produce up-to date resources, the information included here is intended as a guide. Always refer to the product's installation instructions when fitting, installation work should be completed a professional tradesman.

COSMO 18/10 STAINLESS STEEL INSET SINK

CSM60/

Technical Drawing



Date of download: July 19, 2023

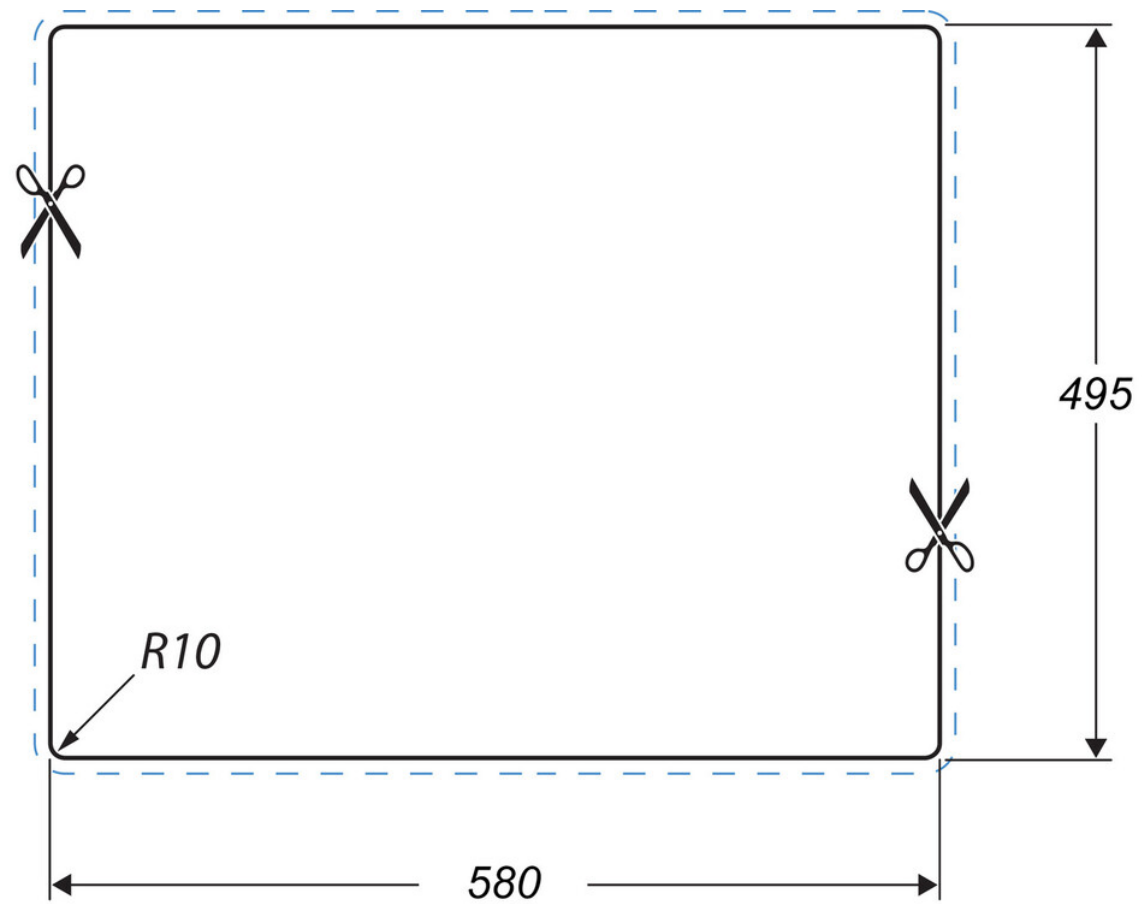
AGA Rangemaster continuously seeks improvements in specification, design and production of products and thus, alterations take place periodically. Whilst every effort is made to produce up-to date resources, the information included here is intended as a guide. Always refer to the product's installation instructions when fitting, installation work should be completed a professional tradesman.

COSMO 18/10 STAINLESS STEEL INSET SINK

CSM60/

Cut Out Template

Dimensions in mm. Not to scale.



Date of download: July 19, 2023

AGA Rangemaster continuously seeks improvements in specification, design and production of products and thus, alterations take place periodically. Whilst every effort is made to produce up-to date resources, the information included here is intended as a guide. Always refer to the product's installation instructions when fitting, installation work should be completed a professional tradesman.