

ATLANTIC CLASSIC 18/10 STAINLESS STEEL UNDERMOUNT SINK

UB3515R/

RANGEmaster
sinks & taps



Size: 597 x 472 mm

The Classic undermount kitchen sink collection features an elegant curvature to the bowl design, creating a discreet sink solution suited to any kitchen scheme.

- Right-hand installation
- 65mm radius corners
- Micro-sheen™ soft brushed finish
- Manufactured from 18/10 stainless steel
- Waste kit included
- 25 year warranty

Material	18/10 Stainless Steel
Material Gauge	0.9
Material Finish Bowl	Micro-Sheen™ Soft Brushed Finish
Material Finish Drainer	-
Drainer Position	Right hand
Overall Length (mm)	597
Overall Width (mm)	472
Main Bowl Length (mm)	350
Main Bowl Width (mm)	420
Main Bowl Depth (mm)	190
Second Bowl Length (mm)	156
Second Bowl Width (mm)	342
Second Bowl Depth (mm)	120
Tap hole Size (mm)	-
Waste Size (mm)	2 x 89
Waste Kit	Included with sink (2 x 89mm BSW & overflow kit)
Min. Base Unit (mm)	600
Cutout Size Length (mm)	556
Cutout Size Width (mm)	440
Warranty Sinks (years)	25
Product Code	UB3515R/
Barcode	5015834037202

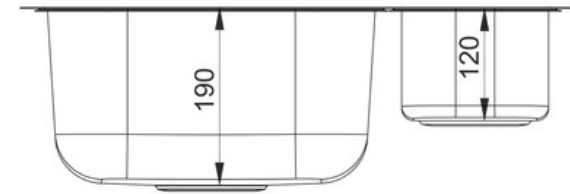
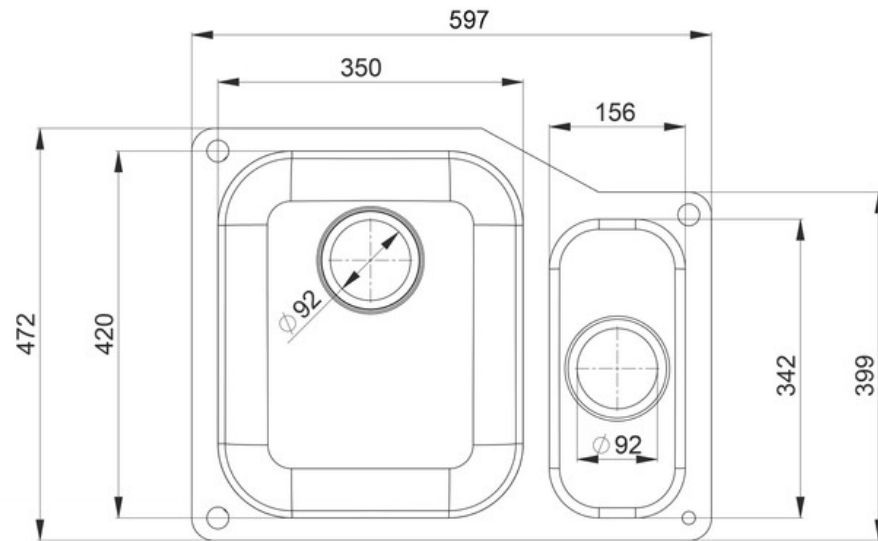
Date of download: July 19, 2023

AGA Rangemaster continuously seeks improvements in specification, design and production of products and thus, alterations take place periodically. Whilst every effort is made to produce up-to date resources, the information included here is intended as a guide. Always refer to the product's installation instructions when fitting, installation work should be completed a professional tradesman.

ATLANTIC CLASSIC 18/10 STAINLESS STEEL UNDERMOUNT SINK

UB3515R/

Technical Drawing



Date of download: July 19, 2023

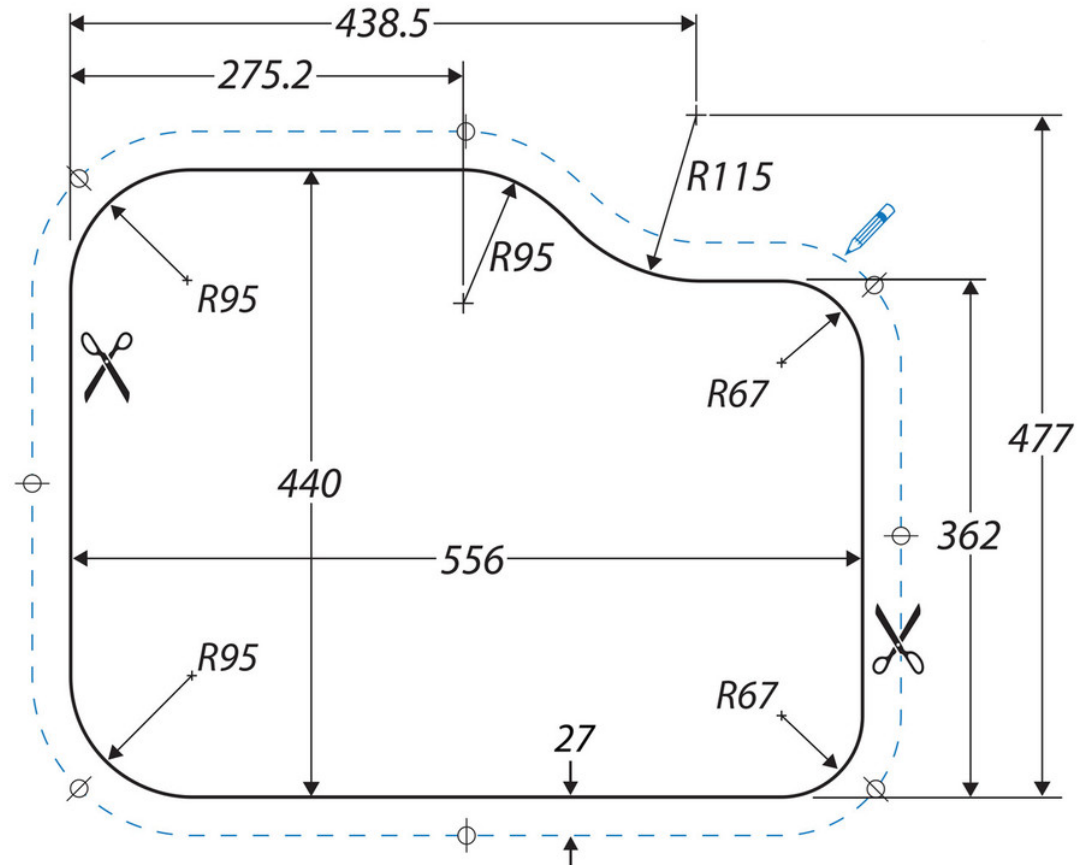
AGA Rangemaster continuously seeks improvements in specification, design and production of products and thus, alterations take place periodically. Whilst every effort is made to produce up-to date resources, the information included here is intended as a guide. Always refer to the product's installation instructions when fitting, installation work should be completed a professional tradesman.

ATLANTIC CLASSIC 18/10 STAINLESS STEEL UNDERMOUNT SINK

UB3515R/

Cut Out Template

Dimensions in mm. Not to scale.



Date of download: July 19, 2023

AGA Rangemaster continuously seeks improvements in specification, design and production of products and thus, alterations take place periodically. Whilst every effort is made to produce up-to date resources, the information included here is intended as a guide. Always refer to the product's installation instructions when fitting, installation work should be completed a professional tradesman.