

AQUATREND SINGLE LEVER TAP BRUSHED BRASS

TRE1SLBB/



Modernly designed, the Aquatrend single-lever kitchen tap features a unique pin handle design. It's tall sweeping neck creates a statement piece in any style of kitchen.

The Aquatrend kitchen tap range includes a number of different pieces to suit any kitchen need; choose from dual-lever, single-lever and pull-out designs.

- Suitable for all pressure water systems
- Featuring an anti-splash spout with honeycomb aerator design which mixes air with water to emit a water flow with no splash

RANGEmaster
sinks & taps

Overall Height (mm)	390
Spout Reach (mm)	216
Spout Height (mm)	264
Spout Rotation Range	360°
Handle Type	Single Lever
Colour	Brushed Brass
Bar Pressure Suitability	All Pressure
Min. Bar Pressure	0.4
Max. Bar Pressure	5.5
Mixed Flow Rate at 3 Bar Pressure (l/min)	13.75
Flow Type	Single Flow
Recommended Hot Water Temperature	46°C
Maximum Hot Water Temperature	70°C
Handle Control	Half Turn
Centre Distance (mm)	-
Cartridge Type	Ceramic Disc Cartridge
Aerator Type	Honeycomb Aerator
Inlet Pipes	1/2" Stainless Flexible Hoses
Anti-Splash Spout	Yes
Pull Out Spray	No
WRAS Approved	Yes
Product Code	TRE1SLBB/
Barcode	5015834051406

Date of download: July 19, 2023

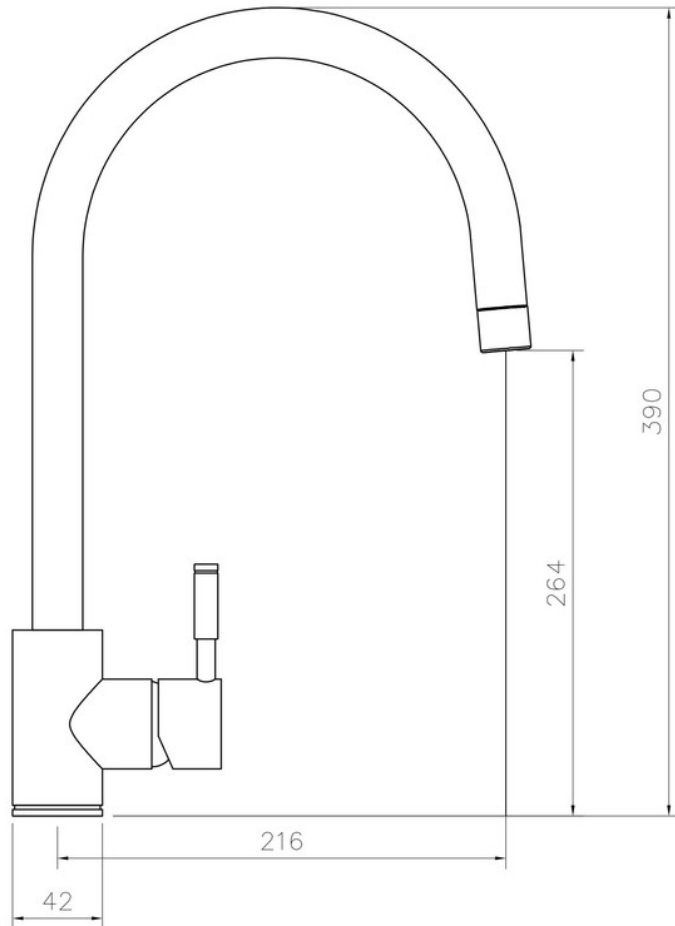
AGA Rangemaster continuously seeks improvements in specification, design and production of products and thus, alterations take place periodically. Whilst every effort is made to produce up to date resources, the information included here is intended as a guide. Always refer to the installation instructions when fitting, installation work should be completed by a professional tradesman.

AQUATREND SINGLE LEVER TAP BRUSHED BRASS

TRE1SLBB/

RANGEmaster
sinks & taps

Technical Drawing



Date of download: July 19, 2023

AGA Rangemaster continuously seeks improvements in specification, design and production of products and thus, alterations take place periodically. Whilst every effort is made to produce up to date resources, the information included here is intended as a guide. Always refer to the installation instructions when fitting, installation work should be completed by a professional tradesman.