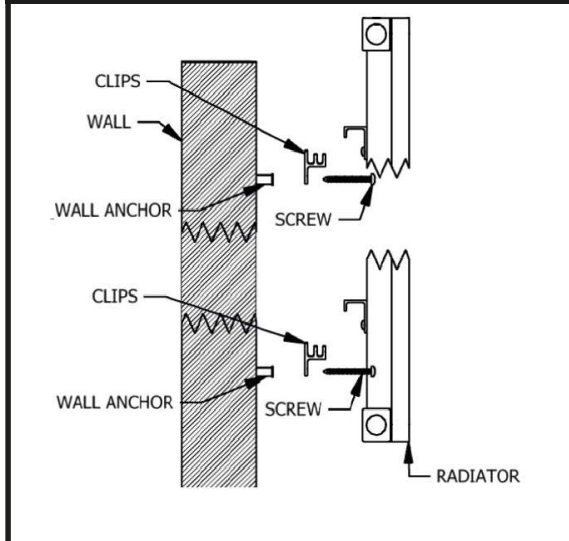
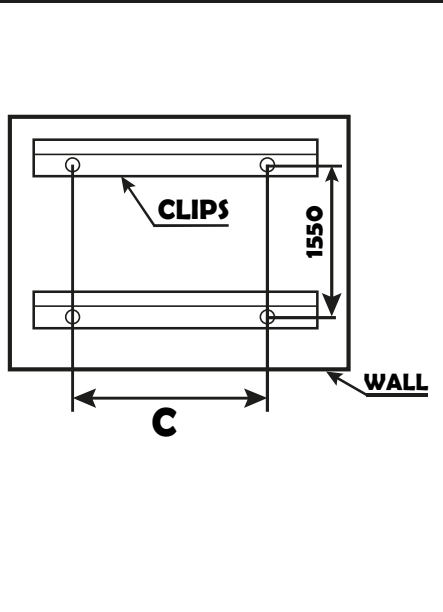
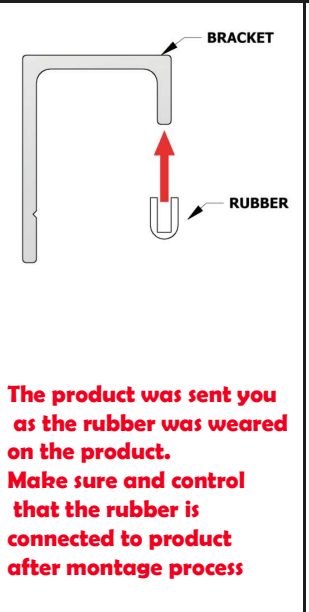
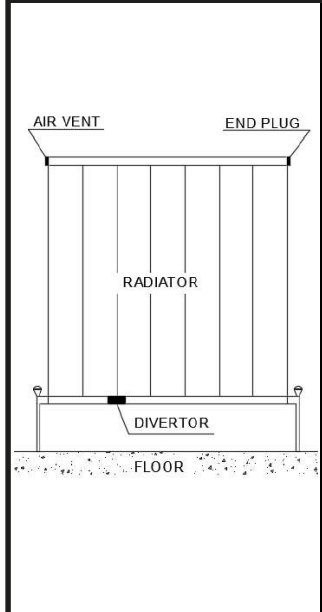
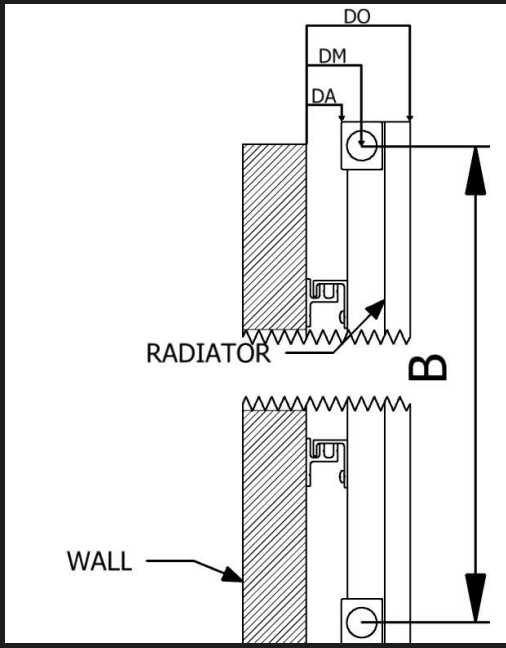
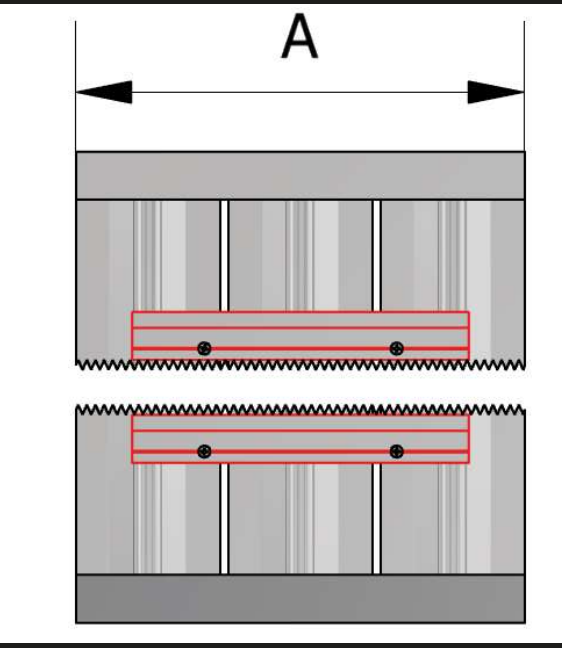


# LARGA INSTALLATION GUIDE

This product must be fitted only by a fully qualified installer.



CLIPS X 2PCS	
WALL ANCHORS 4 PCS	
FIXING X SCREWS 4 PCS	
CAP X 2 PCS	
END PLUG X 1 PCS	
AIR VENT X 1 PCS	



NAMES	HEIGHT	A	B	C	DA	DM	DO
LARGA	1800	404	1745	165	21	36	63
LARGA	1800	608	1745	165	21	36	63

## GENERAL RECOMMENDATION

- Before fitting the radiator it is necessary to wash out the heating system to remove any existing mud, scale, work residues, traces of flux, oil, etc.
- When the system water pH is outside the 8,5 - 9,5 range and/or when the dissolved is above 0,1mg/liter, it is always needed to protect the heating system components (the radiator is one of these) with a proper chemical treatment compatible with all parts in contact with water (silicon rubber too).
- In order to fit the radiator to the wall, it is necessary to choose the proper fixings for the wall material.
- If the system water exceeds 50°C, please install a warning mark near the radiator to avoid any accidental scalding.
- Clean the radiator surface only with a soft cloth to avoid scratching the finish and do not use chemical agents during cleaning operations. It is prohibited to climb on the radiator.
- Maximum working temperature 95°C, maximum working pressure 4 bar.