

SAGITTARIUS

TAPS & SHOWERING

| | |
|--|--|
| Construction | Brass Body; Brass Standpipe; Zinc-alloy Handle; Stainless steel Base plate |
| Finishes | Matt Grey |
| Product Type | Contemporary |
| Water Pressure Tested Between Standards | Min. 0.5 bar (handset) 1.5 bar (spout), Max. 6.0 bar Complies with BS5412, BS EN200 |

RAVENNA MATT GREY FREE-STANDING BATH SHOWER MIXER RA/174/GR

| | |
|-------------------------------|--|
| Cartridge | 35mm Ceramic disc cartridge |
| Aerator | Neoperl Spout aerator |
| Fitting | G3/4" flexi tail |
| Guarantee | 5 years against manufacturing faults (excluding serviceable parts) |
| Additional Information | 1. Handset : ABS 2. Shower hose : PVC , 1.5m |

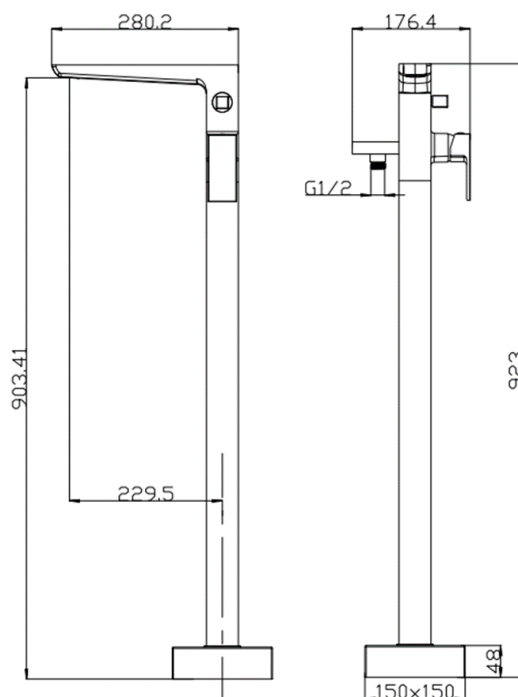
Operating Water Pressure



COMBI BOILER
1.2 - 1.5+ bar



HIGH PRESSURE
1.2 - 1.5+ bar



The information contained on this page was correct at the date of issue. Fitting dimensions are provided as a guide only. Some variation may occur due to manufacturing tolerances. We pursue a policy of continuing improvement in design and performance of our products and so reserve the right to change specifications without prior notice

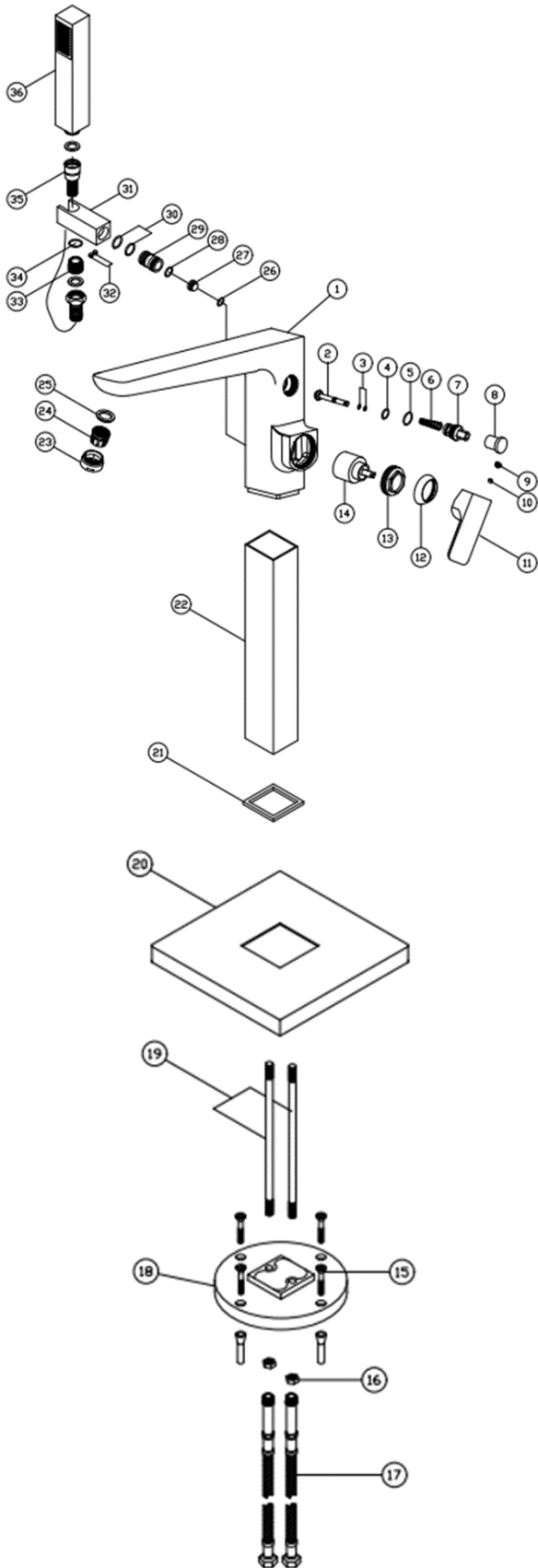
FOR FURTHER ADVICE PLEASE CONTACT :-

SAGITTARIUS LTD UNIT 1 LOWER VICTORIA STREET—CHADDERTON—OLDHAM—OL9 9TU TEL:0616 6202029

EMAIL:TECHNICAL@SAGITTARIUSTAPS.CO.UK

Flow Rates (Litres per minute)

| System Pressure | 0.1 Bar | 0.2 Bar | 0.3 Bar | 0.5 Bar | 1.0 Bar | 1.5 Bar | 2.0 Bar | 3.0 Bar | 4.0 Bar | 5.0 Bar |
|-----------------|---------|---------|---------|---------|---------|---------|---------|---------|---------|---------|
| | - | 4.8 | - | 7.5 | 10.7 | 12.6 | 14.9 | 17.8 | - | - |



| No | Description | QTY |
|----|------------------------|--------|
| 1 | Brass Spout | 1 |
| 2 | Diverter | 1 |
| 3 | O-ring | 2 |
| 4 | O-ring | 1 |
| 5 | O-ring | 1 |
| 6 | Spring | 1 |
| 7 | Diverter handle cap | 1 |
| 8 | Diverter handle | 1 |
| 9 | screw | 1 |
| 10 | indice cap | 1 |
| 11 | On/Off handle | 1 |
| 12 | Collor | 1 |
| 13 | Cartridge locking nut | 1 |
| 14 | 35mm Cartridge | 1 |
| 15 | Fitting Screw | 2 pack |
| 16 | Screw Nut | 2 |
| 17 | G1/2 Flexi Tail | 2 |
| 18 | Base Bracket | 1 |
| 19 | Pipe | 2 |
| 20 | Base Plate | 1 |
| 21 | Base Plate washer | 1 |
| 22 | Brass Body | 1 |
| 23 | M28 Aerator | 1 |
| 24 | Stainless Steel Filter | 1 |
| 25 | Washer | 1 |
| 26 | O-ring | 1 |
| 27 | Cap | 1 |
| 28 | O-ring | 1 |
| 29 | Outlet connector | 1 |
| 30 | O-ring | 1 |
| 31 | Handset holder | 1 |
| 32 | screw | 2 |
| 33 | Hose connector | 1 |
| 34 | O-ring | 1 |
| 35 | 1.5M hose | 1 |
| 36 | Handset | 1 |

FOR FURTHER ADVICE PLEASE CONTACT :-

SAGITTARIUS LTD UNIT 1 LOWER VICTORIA STREET—CHADDERTON—OLDHAM—OL9 9TU TEL:0616 6202029

EMAIL:TECHNICAL@SAGITTARIUSTAPS.CO.UK