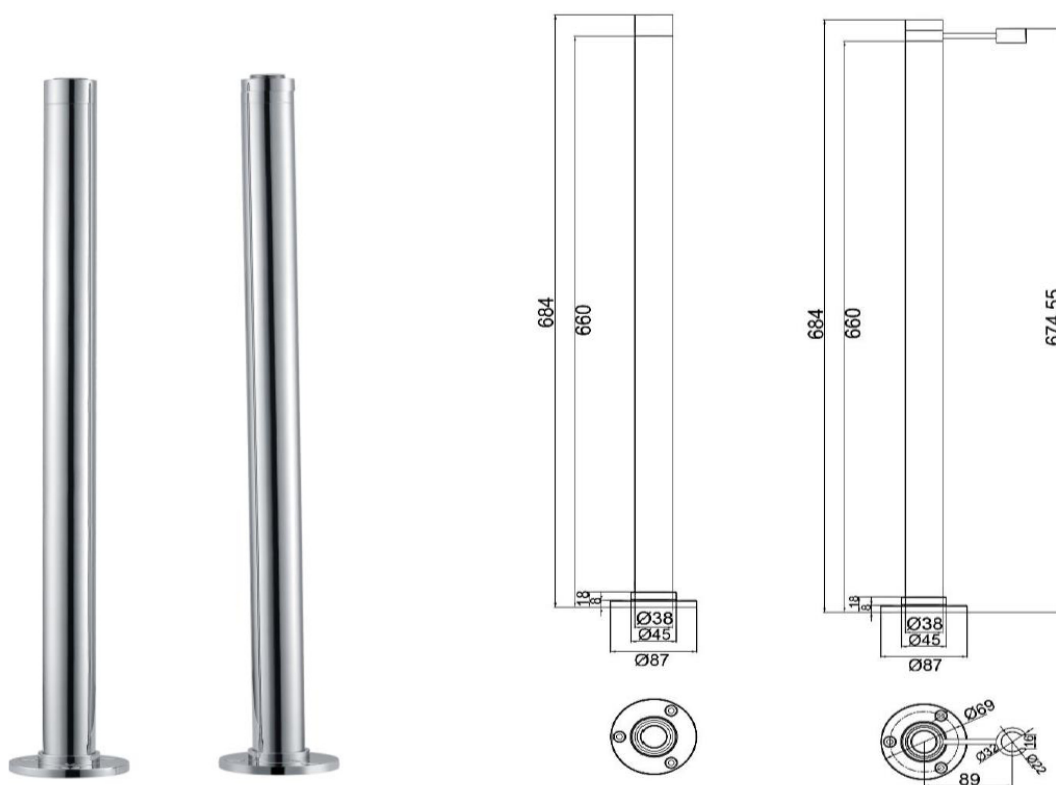


SAGITTARIUS

TAPS & SHOWERING

FLOOR MOUNTED STANDPIPE SHROUDS WA/484/C

| | |
|-------------------------------|--|
| Construction | Brass |
| Finishes | Chrome |
| Product Type | Contemporary |
| Water Pressure | - |
| Plumbing Systems | Suitable for all plumbing systems |
| Standards | - |
| Certification | Manufactured to comply with WRAS |
| Cartridge | - |
| Fitting | - |
| Packaging | 68.5 x 29 x 38.5cm / carton (12 boxes / carton) |
| Guarantee | 1 year against manufacturing faults (excluding serviceable parts). |
| Additional Information | - |



| System Pressure | 0.1 Bar | 0.2 Bar | 0.3 Bar | 0.5 Bar | 1.0 Bar | 1.5 Bar | 2.0 Bar | 3.0 Bar | 4.0 Bar | 5.0 Bar |
|-----------------|---------|---------|---------|---------|---------|---------|---------|---------|---------|---------|
| WA484 | - | - | - | - | - | - | - | - | - | - |

The information contained on this page was correct at the date of issue. Fitting dimensions are provided as a guide only. Some variation may occur due to manufacturing tolerances. We pursue a policy of continuing improvement in design and performance of our products and so reserve the right to change specifications without prior notice

FOR FURTHER ADVICE PLEASE CONTACT :-

SAGITTARIUS LTD UNIT 1 LOWER VICTORIA STREET—CHADDERTON—OLDHAM—OL9 9TU TEL:0616 6202029

EMAIL:TECHNICAL@SAGITTARIUSTAPS.CO.UK