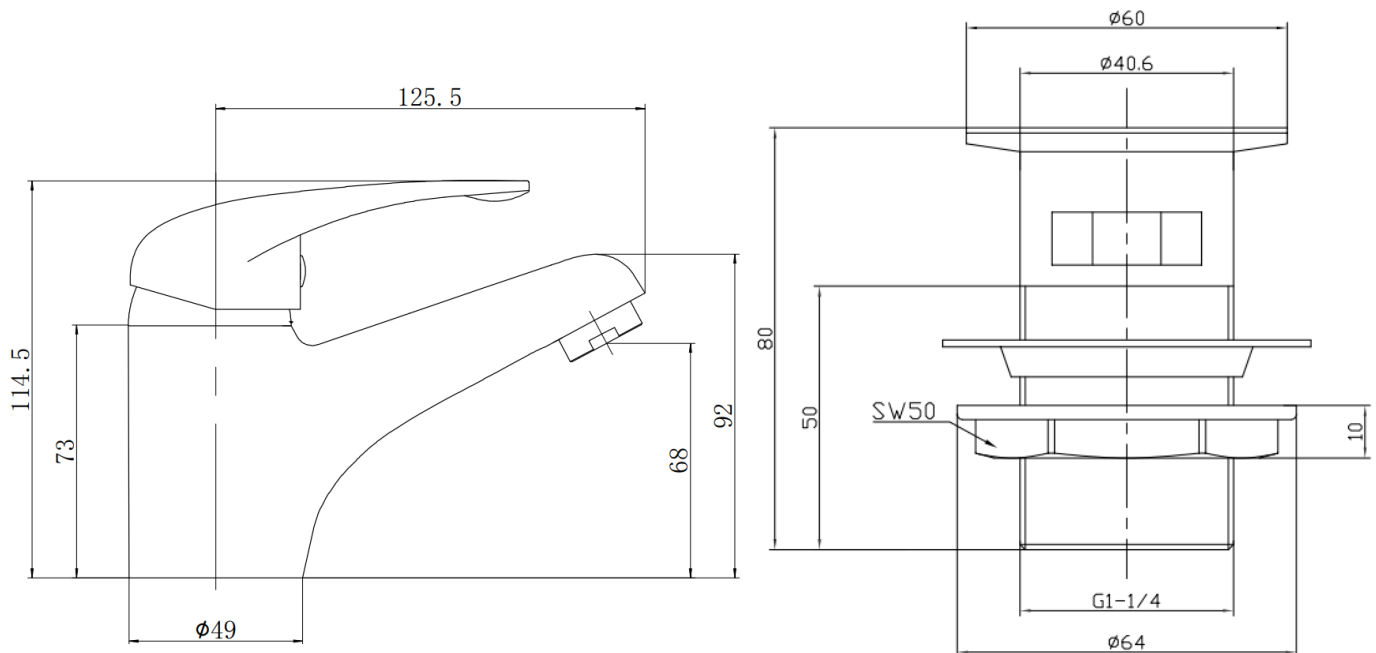


SAGITTARIUS

TAPS & SHOWERING

| | |
|--------------------------------------|--|
| Construction | Brass Body CuZn40Pb2; Zinc alloy Handle |
| Finishes | Chrome plated to BS EN 248 |
| Product Type | Contemporary |
| Water Pressure Tested Between | Min. 0.1 bar, Max. 6.0 bar |
| Standards | Complies with BS6920, BS EN200 |
| Cartridge | 40mm Ceramic Disc Cartridge |
| Aerator | Aerator spout |
| Fitting | Flexi tail; M10 x G1/2" x 40mm |
| Guarantee | 10 years against manufacturing faults (excluding serviceable parts). |
| Additional Information | Supplied with waste |

PRESTIGE LARGE CASSETTE MONOBLOC BASIN MIXER CHROME PR/169/C

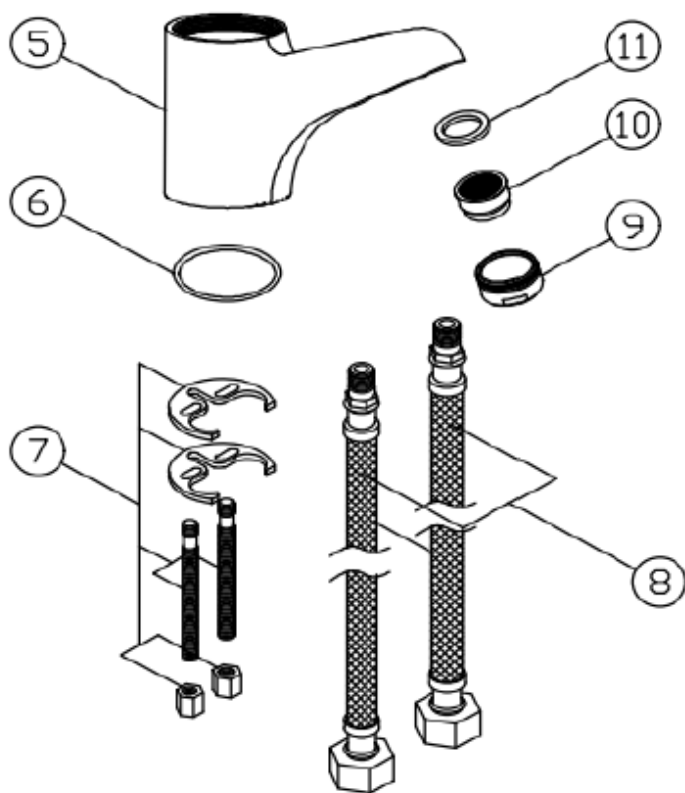
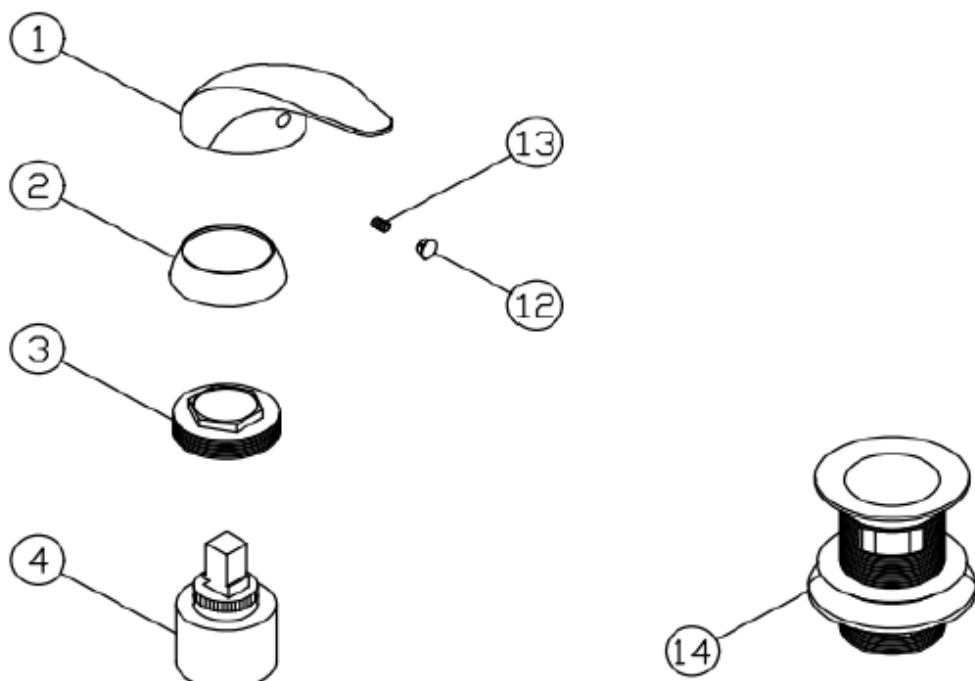


The information contained on this page was correct at the date of issue. Fitting dimensions are provided as a guide only. Some variation may occur due to manufacturing tolerances. We pursue a policy of continuing improvement in design and performance of our products and so reserve the right to change specifications without prior notice.

FOR FURTHER ADVICE PLEASE CONTACT :-
SAGITTARIUS LTD UNIT 1 LOWER VICTORIA STREET—CHADDERTON—OLDHAM—OL9 9TU TEL:0616 6202029
EMAIL:TECHNICAL@SAGITTARIUSTAPS.CO.UK

Flow Rates (Litres per minute)

| System Pressure | 0.1 Bar | 0.2 Bar | 0.3 Bar | 0.5 Bar | 1.0 Bar | 1.5 Bar | 2.0 Bar | 3.0 Bar | 4.0 Bar | 5.0 Bar |
|-----------------|---------|---------|---------|---------|---------|---------|---------|---------|---------|---------|
| | - | 3.2 | - | 5.1 | 7.4 | 8.9 | 10.3 | 12.3 | - | 15.8 |



| NO | DESCRIPTION | QTY |
|----|---------------------|-----|
| 1 | Handle | 1 |
| 2 | Collar | 1 |
| 3 | Lock nut | 1 |
| 4 | 40mm Low cartridge | 1 |
| 5 | Tap Body | 1 |
| 6 | O-ring | 1 |
| 7 | Hoses-shoes fitting | 1 |
| 8 | Flexi Tail | 1 |
| 9 | Aerator Cap | 1 |
| 10 | Aerator | 1 |
| 11 | Washer | 1 |
| 12 | Index Cap | 1 |
| 13 | Grub screw | 1 |
| 14 | Waste | 1 |