

SAGITTARIUS

TAPS & SHOWERING

Construction	Brass Body (CuZn38Pb18), ABS Handles
Finishes	Chrome plated to BS EN 248
Product Type	Contemporary
Water Pressure Tested Between	Min. 0.5 bar, Max. 6.0 bar
Standards	Complies with BSEN 1111
Certification	-
Cartridge	Thermostatic and ceramic disc valve
Check valve	0.5-10 gpm
Fitting	Brass S-Unions male offset cranked connectors G1/2 inch x G3/4" BSP (Escutcheon)
Guarantee	10 years against manufacturing faults (excluding serviceable parts)
Additional Information	Thermostatic cartridge maintains showering temperature to +/- 1°C by compensating for changes in the incoming water temperature and pressure giving the stable outlet Automatic shut off in the event of hot or cold water supply failure Shower handset : Chrome , Single mode, ABS Shower hose : Chrome, stainless steel , double interlock, 1.5m Telescopic adjustable height shower rail

ROMA HP SHOWER PACK CHROME SS/607/C



Flow Rates (Litres per minute)

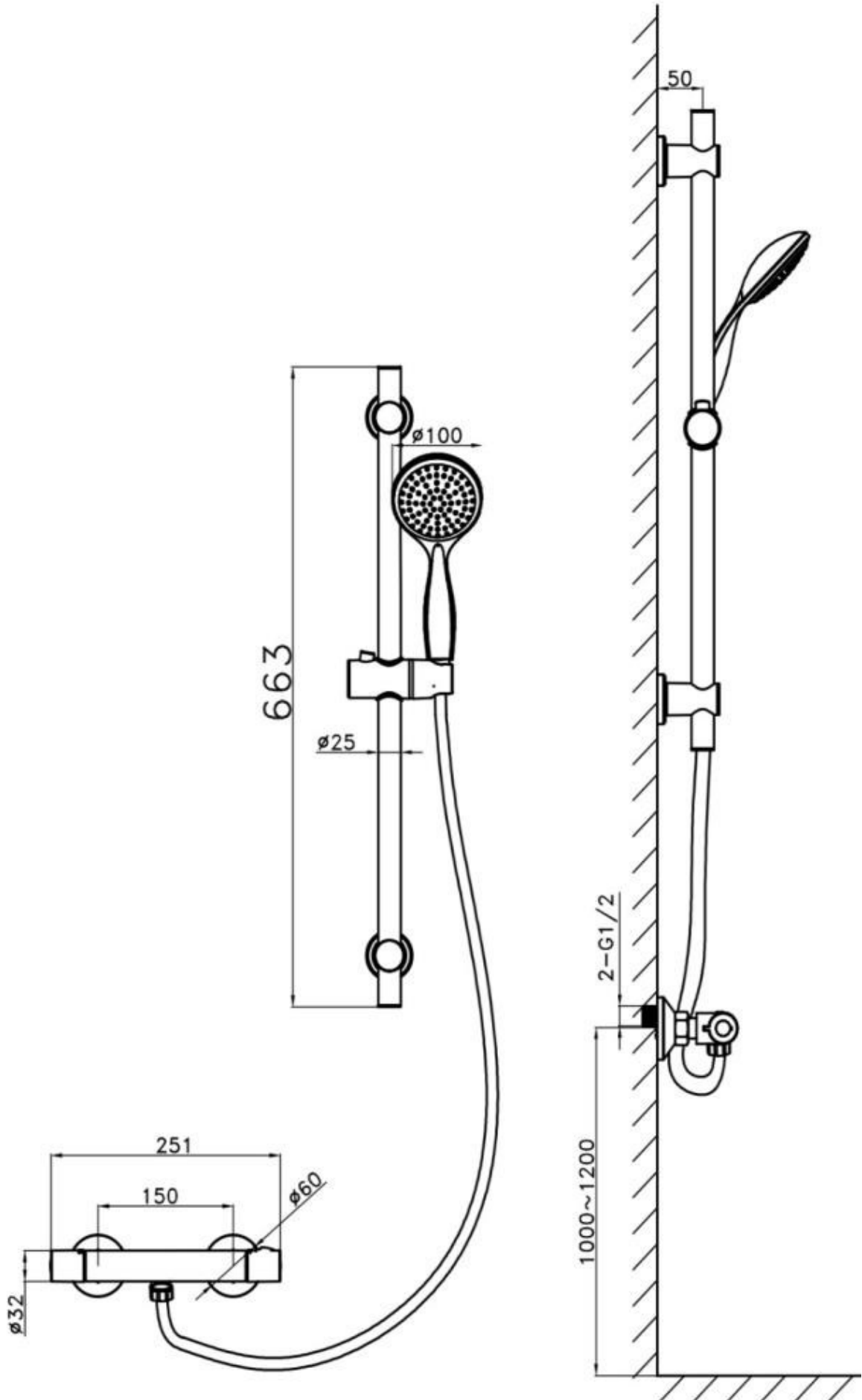
System Pressure	0.1 Bar	0.2 Bar	0.3 Bar	0.5 Bar	1.0 Bar	1.5 Bar	2.0 Bar	3.0 Bar	4.0 Bar	5.0 Bar
	2.4	3.8	-	6.7	10.9	-	14.7	17.3	-	-

The information contained on this page was correct at the date of issue. Fitting dimensions are provided as a guide only. Some variation may occur due to manufacturing tolerances. We pursue a policy of continuing improvement in design and performance of our products and so reserve the right to change specifications without prior notice

FOR FURTHER ADVICE PLEASE CONTACT :-

SAGITTARIUS LTD UNIT 1 LOWER VICTORIA STREET—CHADDERTON—OLDHAM—OL9 9TU TEL:0616 6202029

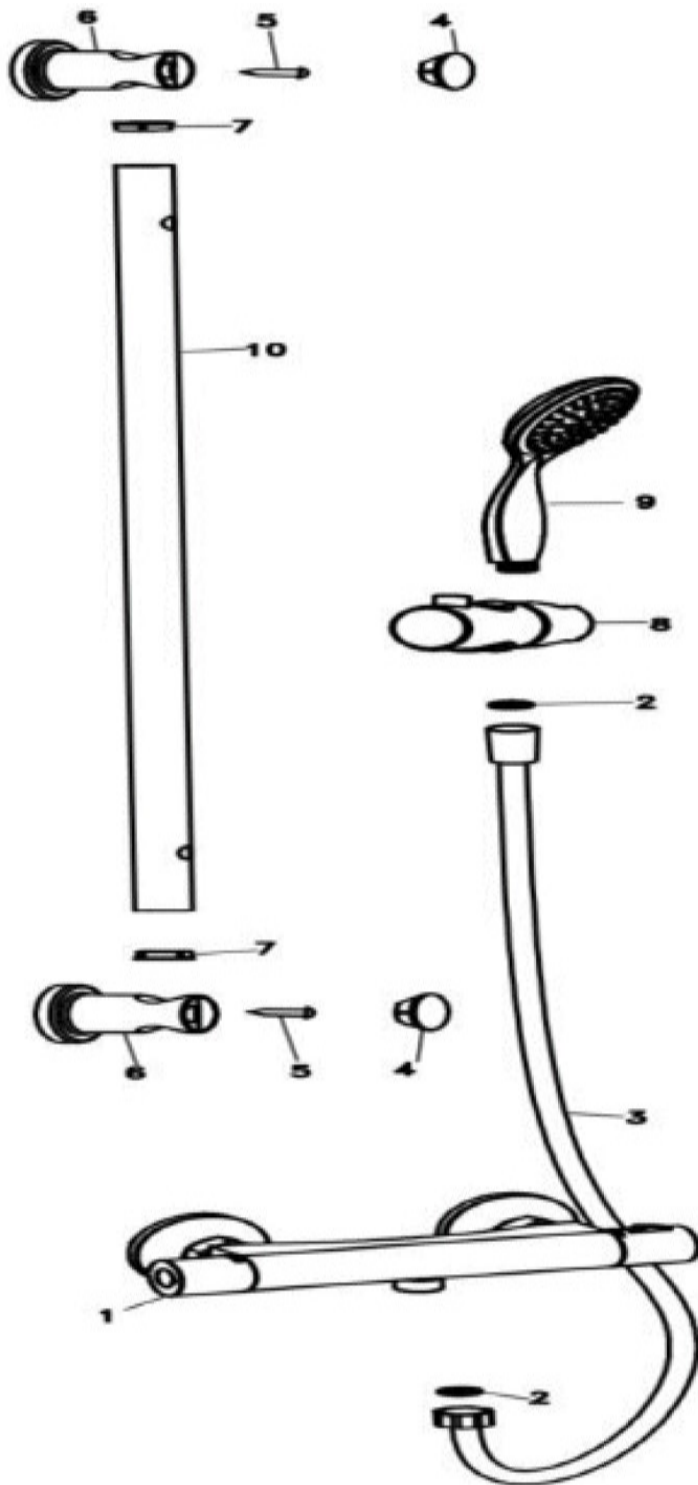
EMAIL:TECHNICAL@SAGITTARIUSTAPS.CO.UK



FOR FURTHER ADVICE PLEASE CONTACT :-

SAGITTARIUS LTD UNIT 1 LOWER VICTORIA STREET—CHADDERTON—OLDHAM—OL9 9TU TEL:0616 6202029

EMAIL:TECHNICAL@SAGITTARIUSTAPS.CO.UK



NO	NAME	QTY
1	BADY	1
2	WASHER	2
3	HOSE	1
4	CAP	2
5	SCREW	2
6	WALL-FIX-PLATE	2
7	RAIL-END-CAP	2
8	HANDSET-HOLDER	1
9	HANDSET	1
10	RAIL	1

FOR FURTHER ADVICE PLEASE CONTACT :-

SAGITTARIUS LTD UNIT 1 LOWER VICTORIA STREET—CHADDERTON—OLDHAM—OL9 9TU TEL:0616 6202029

EMAIL:TECHNICAL@SAGITTARIUSTAPS.CO.UK