

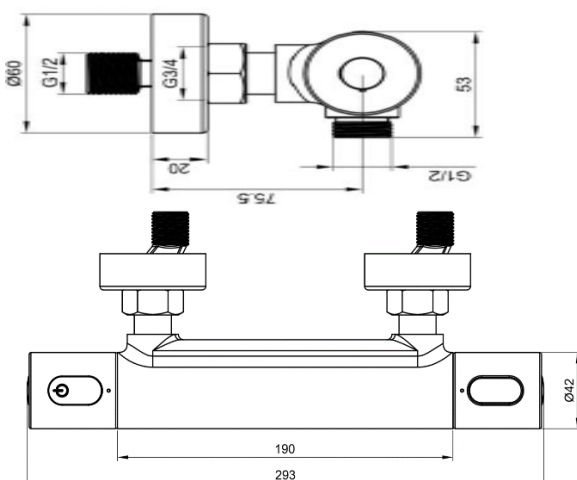
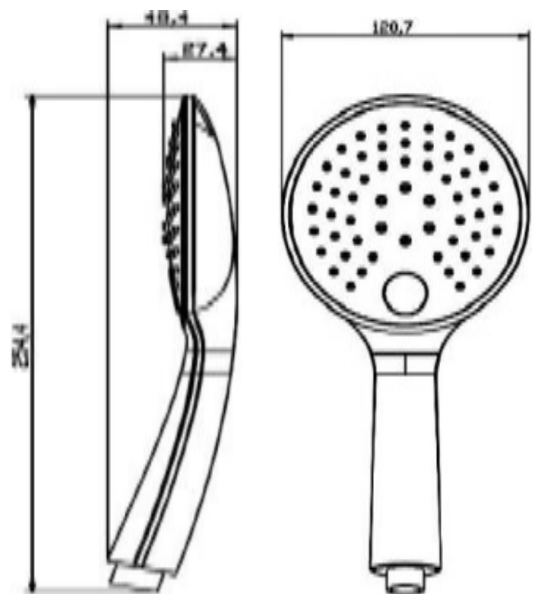
# SAGITTARIUS

## TAPS & SHOWERING

<b>Construction</b>	Brass Body (CuZn38Pb18); Zinc-alloy Handles
<b>Finishes</b>	Chrome (Ni : 8-12um, Cr : 0.25-0.3um)
<b>Product Type</b>	Contemporary
<b>Water Pressure Tested Between</b>	Min. 0.2 bar, Max. 6.0 bar
<b>Standards</b>	Complies with BSEN 1111
<b>Certification</b>	Manufactured to comply with CE
<b>Cartridge</b>	Thermostatic cartridge and 1/4 turn Ceramic disc valve
<b>Check valve</b>	DN15 ABS check valve (0.5-10 gpm)
<b>Fitting</b>	Metal S-Union connectors (Male thread off-set 1/2 inch x 3/4" BSP with Escutcheon)
<b>Guarantee</b>	10 years against manufacturing faults (excluding serviceable parts)
<b>Additional Information</b>	Temperature: Pre-set 38°C, with push button override to 48°C Automatic shut off in the event of hot or cold water supply failure Shower handset : Chrome , ABS , 3 modes Shower hose : Chrome , smooth PVC , 1.5m , G1/2" BSP Chrome Shower rail kit with adjustable ABS handset holder COOL Touch Bar valve technology

### VIAREGGIO DELUXE SHOWER PACK CHROME

SS/620/C

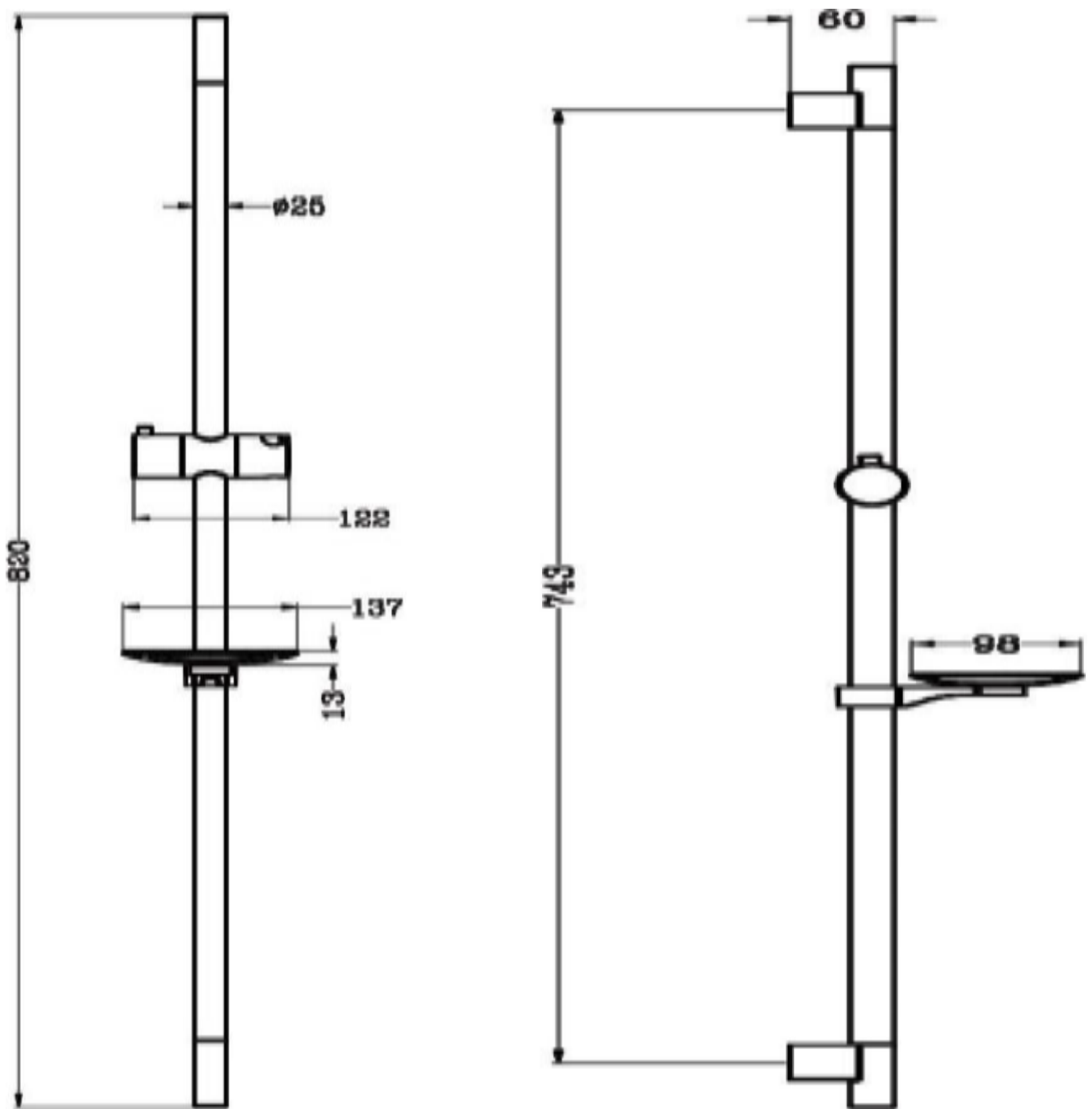


The information contained on this page was correct at the date of issue. Fitting dimensions are provided as a guide only. Some variation may occur due to manufacturing tolerances. We pursue a policy of continuing improvement in design and performance of our products and so reserve the right to change specifications without prior notice

FOR FURTHER ADVICE PLEASE CONTACT :-

SAGITTARIUS LTD UNIT 1 LOWER VICTORIA STREET—CHADDERTON—OLDHAM—OL9 9TU TEL:0616 6202029

EMAIL:TECHNICAL@SAGITTARIUSTAPS.CO.UK



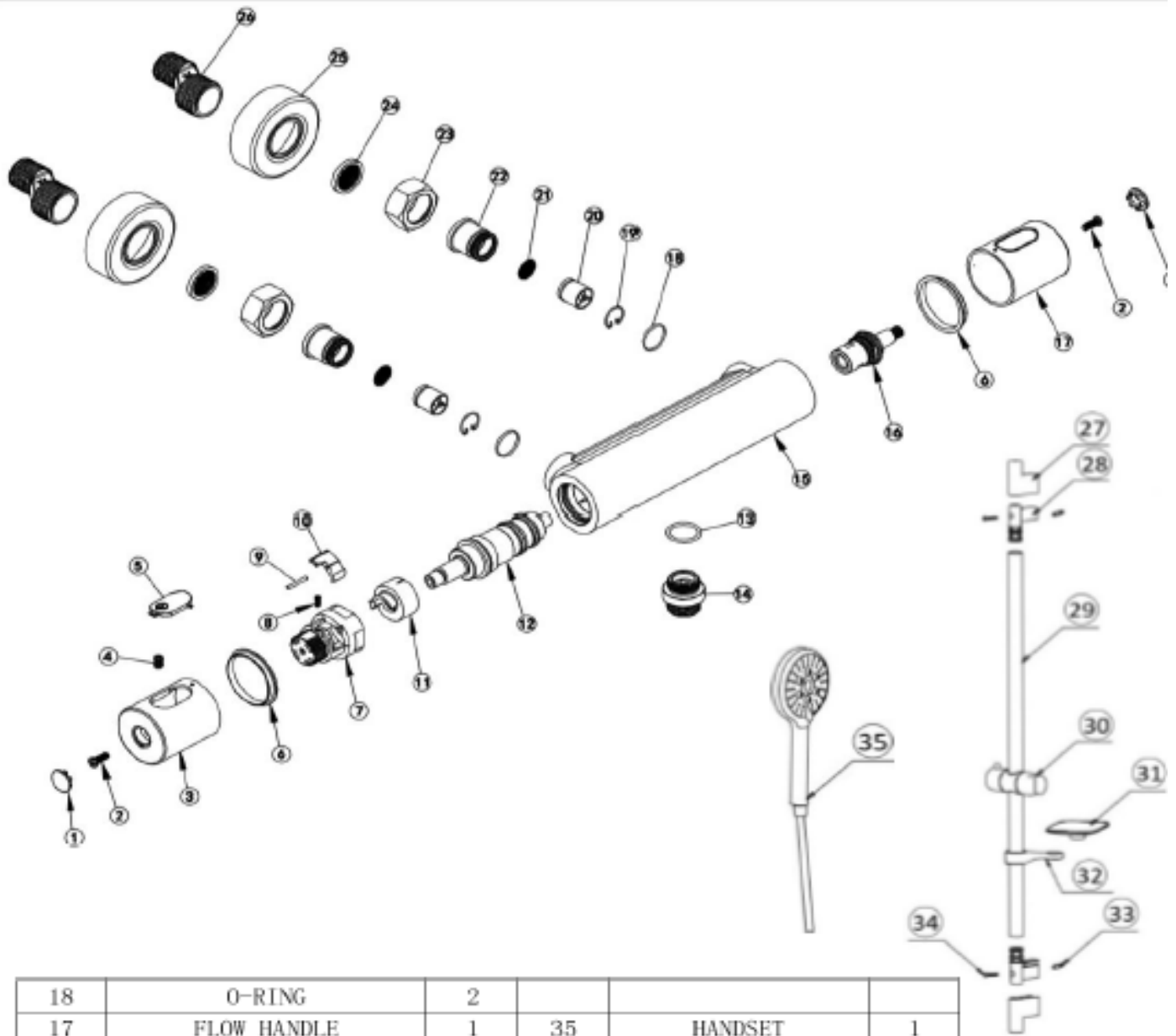
**Flow Rates** (Litres per minute)

System Pressure	0.1 Bar	0.2 Bar	0.3 Bar	0.5 Bar	1.0 Bar	1.5 Bar	2.0 Bar	3.0 Bar	4.0 Bar	5.0 Bar
	-	6.0	-	9.5	12.9	-	17.0	-	-	-

FOR FURTHER ADVICE PLEASE CONTACT :-

SAGITTARIUS LTD UNIT 1 LOWER VICTORIA STREET—CHADDERTON—OLDHAM—OL9 9TU TEL:0616 6202029

EMAIL:TECHNICAL@SAGITTARIUSTAPS.CO.UK



18	O-RING	2			
17	FLOW HANDLE	1	35	HANDSET	1
16	ON/OFF CARTRIDGE	1	34	SCREW	2
15	VALVE BODY	1	33	WALL PLUG	2
14	OUTLET CONNECTOR	1	32	HOLDER	1
13	O-RING	1	31	SOAP DISH	1
12	THERMOSTATIC CARTRIDGE	1	30	HANDSET HOLDER	1
11	CARTRIDGE NUT	1	29	RAIL	1
10	HANDLE HOOK	1	28	FIXING CONNECTOR	2
9	SCREW	1	27	COVER	2
8	SPRING	1	26	S-UNION	2
7	MOUNTING WASHER	1	25	COVER PLATE	2
6	WASHER	2	24	FILTER	2
5	BUTTON	1	23	LOCK NUT	2
4	SPRING	1	22	CONNECTOR	2
3	THERMOSTATIC HANDLE	1	21	FILTER	2
2	SCREW	2	20	CHECK VALVE	2
1	COVER CAP	2	19	SPRING	2
<b>No.</b>	<b>DESCRIPTION</b>	<b>QTY</b>	<b>No.</b>	<b>DESCRIPTION</b>	<b>QTY</b>

FOR FURTHER ADVICE PLEASE CONTACT :-

SAGITTARIUS LTD UNIT 1 LOWER VICTORIA STREET—CHADDERTON—OLDHAM—OL9 9TU TEL:0616 6202029

EMAIL:TECHNICAL@SAGITTARIUSTAPS.CO.UK