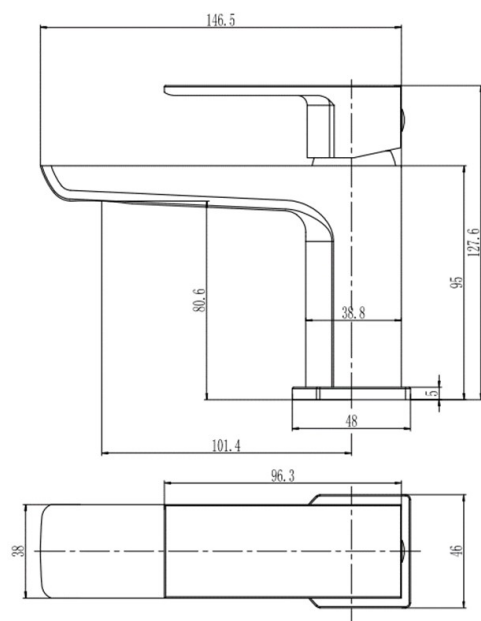


# SAGITTARIUS

## TAPS & SHOWERING

<b>Construction</b>	Brass Body, Zinc-alloy Handle
<b>Finishes</b>	Matt Black
<b>Product Type</b>	Contemporary
<b>Water Pressure Tested Between Standards</b>	Min. 0.1 bar, Max. 6.0 bar
<b>Cartridge</b>	Complies with BS6920, BS EN200
<b>Fitting</b>	35mm Ceramic disc cartridge UK: M10 x 350mm G½" BSP Female Flexi Tails EU: M10 x 350mm G3/8" BSP Female
<b>Aerator</b>	M24*1 Spout aerator
<b>Guarantee</b>	5 years against manufacturing faults (excluding serviceable parts) Supplied with G1¼" slotted sprung waste (UK only)
<b>Additional Information</b>	

### RAVENNA MINI BASIN MONO MIXER RA/186/B



**LOW PRESSURE**  
0.2-0.5 bar



**COMBI BOILER**



**HIGH PRESSURE**  
1.2- 1.5+ bar

The information contained on this page was correct at the date of issue. Fitting dimensions are provided as a guide only. Some variation may occur due to manufacturing tolerances. We pursue a policy of continuing improvement in design and performance of our products and so reserve the right to change specifications without prior notice

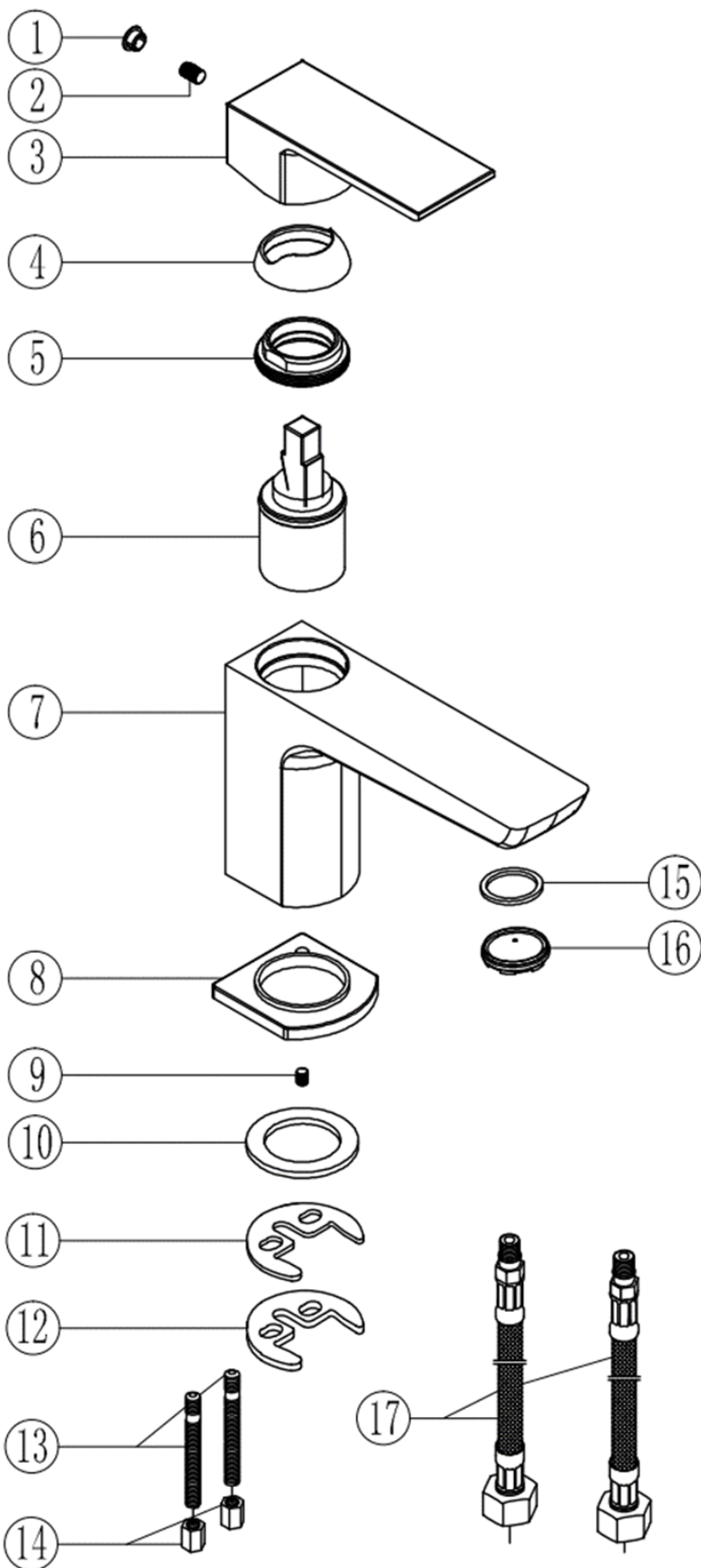
FOR FURTHER ADVICE PLEASE CONTACT :-

SAGITTARIUS LTD UNIT 1 LOWER VICTORIA STREET—CHADDERTON—OLDHAM—OL9 9TU TEL:0616 6202029

EMAIL:TECHNICAL@SAGITTARIUSTAPS.CO.UK

**Flow Rates** (Litres per minute)

System Pressure	0.1 Bar	0.2 Bar	0.3 Bar	0.5 Bar	1.0 Bar	1.5 Bar	2.0 Bar	3.0 Bar	4.0 Bar	5.0 Bar
	3.8	5.2	-	7.8	10.9	13.3	15.3	18.7	-	-



No.	DESCRIPTION	QTY
1	Dia. 6.8 COVER CAP	1
2	M5*8 GRUB SCREW	1
3	HANDLE	1
4	HANDLE COLLAR	1
5	CATRIDGE LOCK NUT	1
6	30mm CARTRIDGE	1
7	TAP BODY	1
8	BASE PLATE	1
9	M4*8 GRUB SCREW	1
10	WASHER	1
11	HORSE-SHOE WASHER	1
12	HORSE-SHOE PLATE	1
13	FIXING ROD	2
14	FIXING NUT	2
15	AERATOR WASHER	1
16	M24*1 AERATOR	1
17	FLEXI-TAILS	2
18	SLOTTED WASTE	1

FOR FURTHER ADVICE PLEASE CONTACT :-  
 SAGITTARIUS LTD UNIT 1 LOWER VICTORIA STREET—CHADDERTON—OLDHAM—OL9 9TU TEL:0616 6202029  
 EMAIL:TECHNICAL@SAGITTARIUSTAPS.CO.UK