

SAGITTARIUS

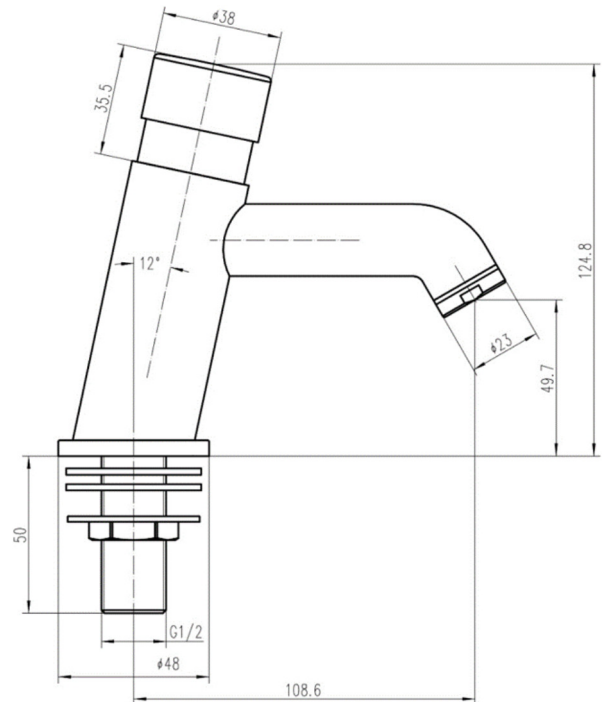
TAPS & SHOWERING

ERGO NON CONCUSSIVE

BASIN TAPS CHROME

EL/148/C

Construction	Brass Body (CuZn40Pb18)
Finishes	Chrome plated to BS EN 248
Product Type	Contemporary
Water Pressure	Min. 0.2 bar, Max. 6.0 bar
Plumbing Systems	Suitable for all plumbing systems
Standards	Complies with BS5412, BS EN200
Certification	Manufactured to comply with WRAS
Cartridge	Non concussive valve
Aerator	Laminar
Fitting	1/2" BSP tail
Packaging	30x20.5x30cm / carton (10 boxes / carton); 18x14x5.5cm inner box.
Guarantee	1 years against manufacturing faults (excluding serviceable parts).
Additional Information	Suitable for cold or premixed single water feed



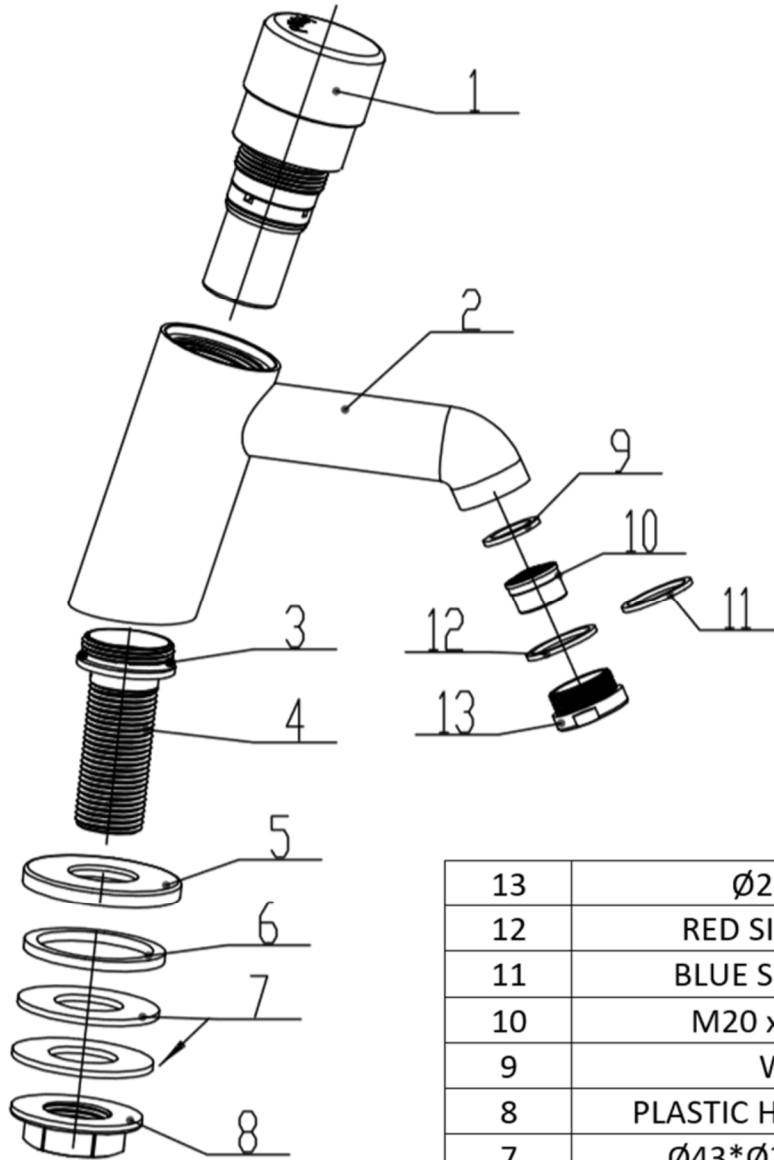
Flow Rates (Litres per minute)

System Pressure	0.1 Bar	0.2 Bar	0.3 Bar	0.5 Bar	1.0 Bar	1.5 Bar	2.0 Bar	3.0 Bar	4.0 Bar	5.0 Bar
EL/148/C	-	2.7	-	3.0	4.5	-	6.3	8.5	-	-

The information contained on this page was correct at the date of issue. Fitting dimensions are provided as a guide only. Some variation may occur due to manufacturing tolerances. We pursue a policy of continuing improvement in design and performance of our products and so reserve the right to change specifications without prior notice

FOR FURTHER ADVICE PLEASE CONTACT :-
 SAGITTARIUS LTD UNIT 1 LOWER VICTORIA STREET—CHADDERTON—OLDHAM—OL9 9TU TEL:0616 6202029
 EMAIL:TECHNICAL@SAGITTARIUSTAPS.CO.UK

Exploded diagram EL/148/C



13	Ø23 OUTLET	1
12	RED SILICONE RING	1
11	BLUE SILICONE RING	1
10	M20 x 1 AERATOR	1
9	WASHER	1
8	PLASTIC HEXAGONAL NUT	1
7	Ø43*Ø21*2 WASHES	2
6	Ø42*Ø35.5*3 WASHER	1
5	Ø45*5 FLANGE	1
4	G½" INLET PIPE	1
3	Ø27*Ø2 O-RING	1
2	G½" TAP BODY	1
1	TIME ADJUSTABLE CARTRIDGE	1
No.	DESCRIPTION	QTY

The information contained on this page was correct at the date of issue. Fitting dimensions are provided as a guide only. Some variation may occur due to manufacturing tolerances. We pursue a policy of continuing improvement in design and performance of our products and so reserve the right to change specifications without prior notice

FOR FURTHER ADVICE PLEASE CONTACT :-
 SAGITTARIUS LTD UNIT 1 LOWER VICTORIA STREET—CHADDERTON—OLDHAM—OL9 9TU TEL:0616 6202029
 EMAIL:TECHNICAL@SAGITTARIUSTAPS.CO.UK