

SAGITTARIUS

TAPS & SHOWERING

Construction	Brass Body (CuZn40Pb18); ABS Handles
Finishes	Chrome plated to BS EN 248
Product Type	Contemporary
Water Pressure Tested Between	Min. 0.5 bar, Max. 6.0 bar
Standards	Complies with BSEN 1111
Certification	-
Cartridge	Thermostatic and ceramic disc valve
Check valve	0.5-10 gpm
Diverter	Ceramic disc valve diverter
Fitting	Brass Easy fit connectors (15mm compression connection)
Guarantee	10 years against manufacturing faults (excluding serviceable parts)
Additional Information	Thermostatic cartridge maintains showering temperature to +/- 1°C by compensating for changes in the incoming water temperature and pressure sustaining the stable outlet Automatic shut off in the event of hot or cold water supply failure Shower head : Chrome , 200mm, Stainless steel Shower handset : Chrome, ABS Shower hose : Chrome , 1.5m stainless steel Telescopic adjustable height stainless steel shower rail

TREVI EXPOSED VALVE AND RISER KIT CHROME

SS/615/C



The information contained on this page was correct at the date of issue. Fitting dimensions are provided as a guide only. Some variation may occur due to manufacturing tolerances. We pursue a policy of continuing improvement in design and performance of our products and so reserve the right to change specifications without prior notice

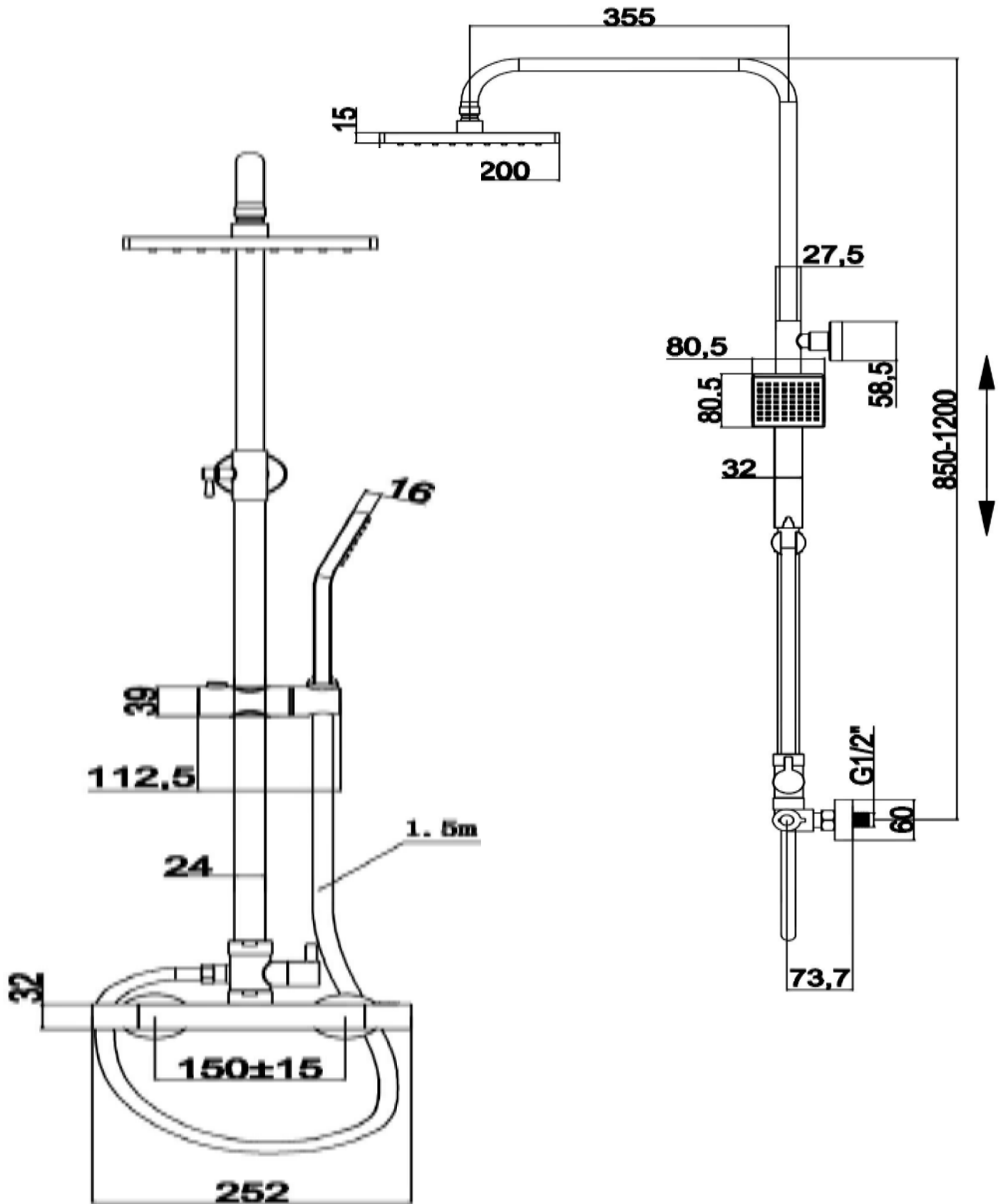
FOR FURTHER ADVICE PLEASE CONTACT :-

SAGITTARIUS LTD UNIT 1 LOWER VICTORIA STREET—CHADDERTON—OLDHAM—OL9 9TU TEL:0616 6202029

EMAIL:TECHNICAL@SAGITTARIUSTAPS.CO.UK

Flow Rates (Litres per minute)

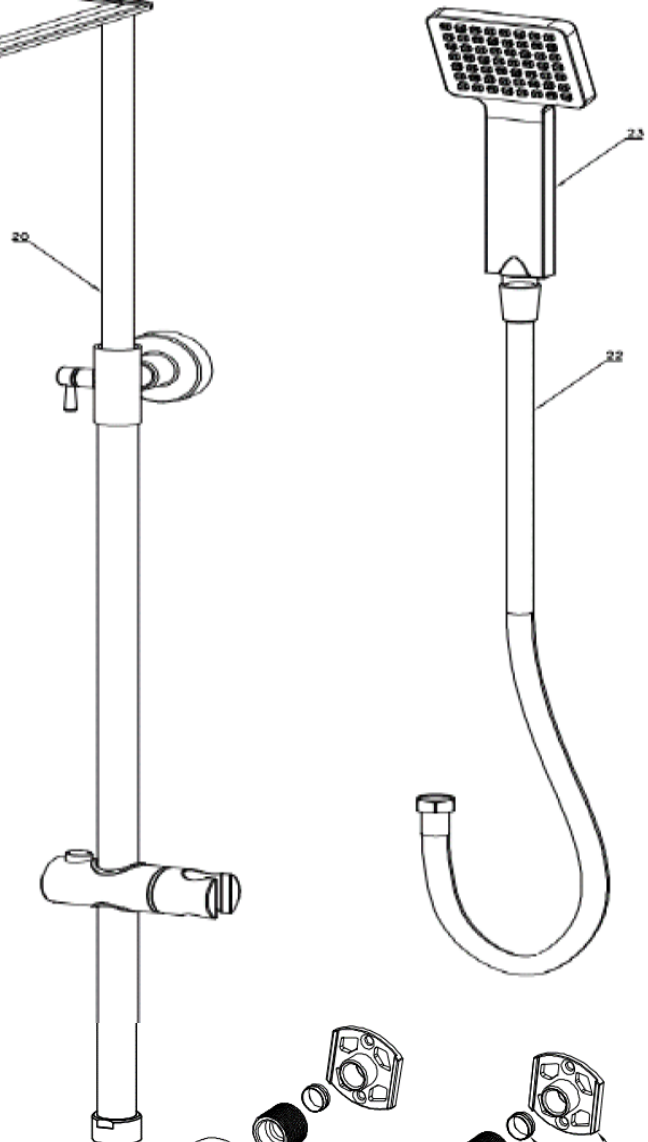
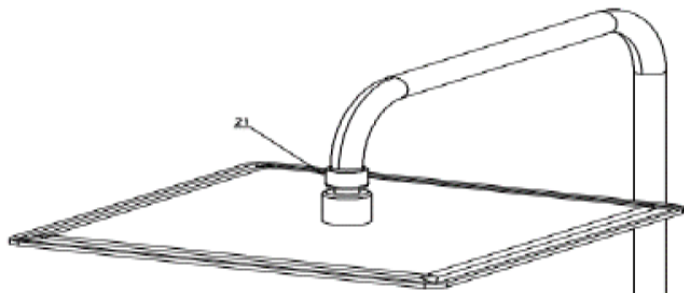
System Pressure	0.1 Bar	0.2 Bar	0.3 Bar	0.5 Bar	1.0 Bar	1.5 Bar	2.0 Bar	3.0 Bar	4.0 Bar	5.0 Bar
	-	-	-	6.0	9.0	-	-	25.1	-	-



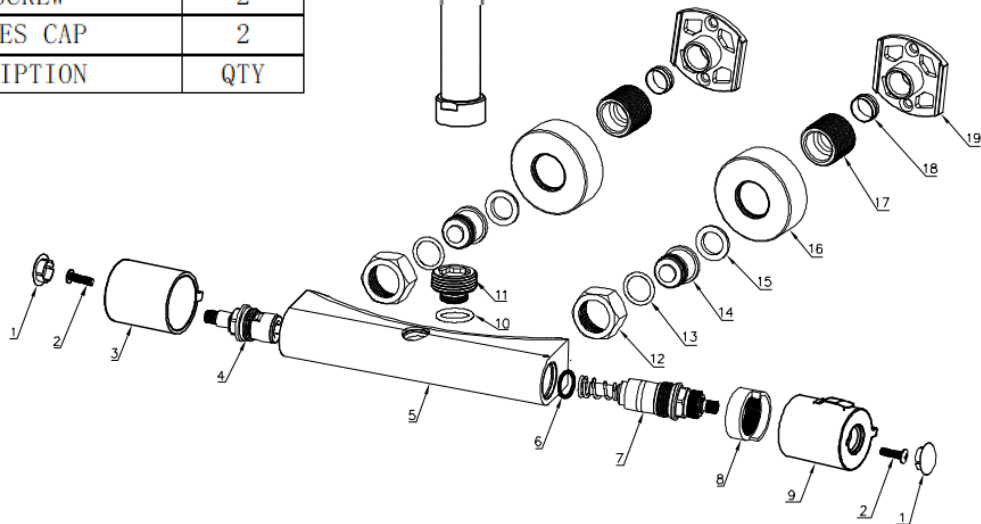
FOR FURTHER ADVICE PLEASE CONTACT :-

SAGITTARIUS LTD UNIT 1 LOWER VICTORIA STREET—CHADDERTON—OLDHAM—OL9 9TU TEL:0616 6202029

EMAIL:TECHNICAL@SAGITTARIUSTAPS.CO.UK



23	HAND SHOWER	1
22	FLEX HOSE	1
21	HEAD SHOWER	1
20	SHOWER RAIL	1
19	FIXING BASE	2
18	COPPER RING	2
17	ADAPTOR	2
16	COVER PLATE	2
15	GASKET	2
14	CHECK VALVE	2
13	O-RING	2
12	INLET NUT	2
11	¼ OUTLET NUT (TOP)	1
10	O-RING	1
9	THERMO HANDLE	1
8	STOP RING	1
7	THERMO CARTRIDGE	1
6	O-RING	1
5	VALVE BODY	1
4	90° CERAMIC VALVE	1
3	FLOW CONTROL HANDLE	1
2	M4 SCREW	2
1	HANDLES CAP	2
No.	DESCRIPTION	QTY



FOR FURTHER ADVICE PLEASE CONTACT :-

SAGITTARIUS LTD UNIT 1 LOWER VICTORIA STREET—CHADDERTON—OLDHAM—OL9 9TU TEL:0616 6202029

EMAIL:TECHNICAL@SAGITTARIUSTAPS.CO.UK