

SAGITTARIUS

TAPS & SHOWERING

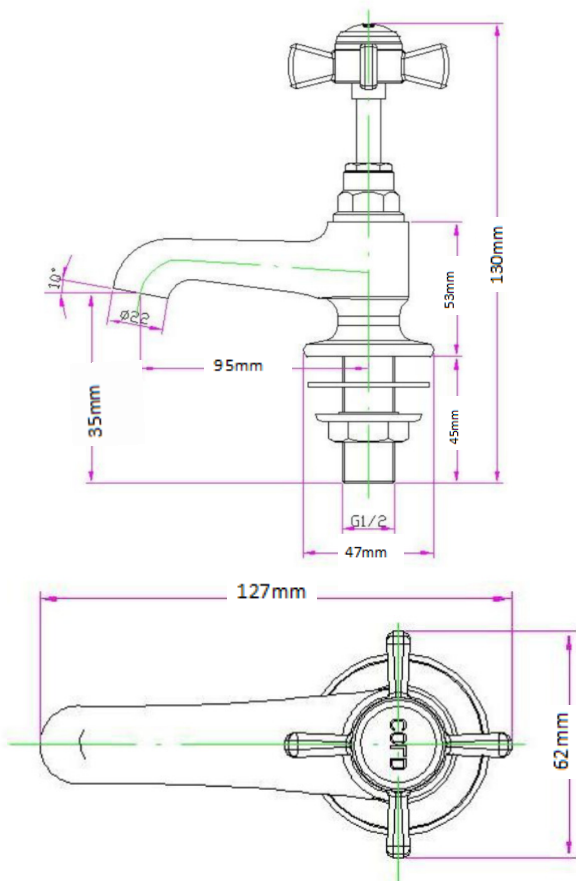
Construction Brass Body, Brass Handle
 Finish Chrome
 Style Traditional
 Working pressure Tested Between;
 Min 0.1 bar, max 5.0bar
 Suitable for Low pressure, Combi and High pressure systems

Churchman Basin Taps

Chrome

CH/101/C

Connection inlet 1/2" BSP
 Cartridge Standard Turn
 Guarantee 10years on chrome finish, 3 years serviceable parts



Flow Rates (litres per minute)

System Pressure	0.1 Bar	0.2 Bar	0.3 Bar	0.5 Bar	1.0 Bar	1.5 Bar	2.0 Bar	3.0 Bar	4.0 Bar	5.0 Bar
	2.20	4.30	-	7.30	10.40	13.00	15.10	18.50	-	-

The information contained on this page was correct at the date of issue. Fitting dimensions are provided as a guide only. Some variation may occur due to manufacturing tolerances.

FOR FURTHER ADVICE PLEASE CONTACT :-

SAGITTARIUS LTD UNIT 1 LOWER VICTORIA STREET—CHADDERTON—OLDHAM—OL9 9TU TEL:0616 6202029

EMAIL:TECHNICAL@SAGITTARIUSTAPS.CO.UK