

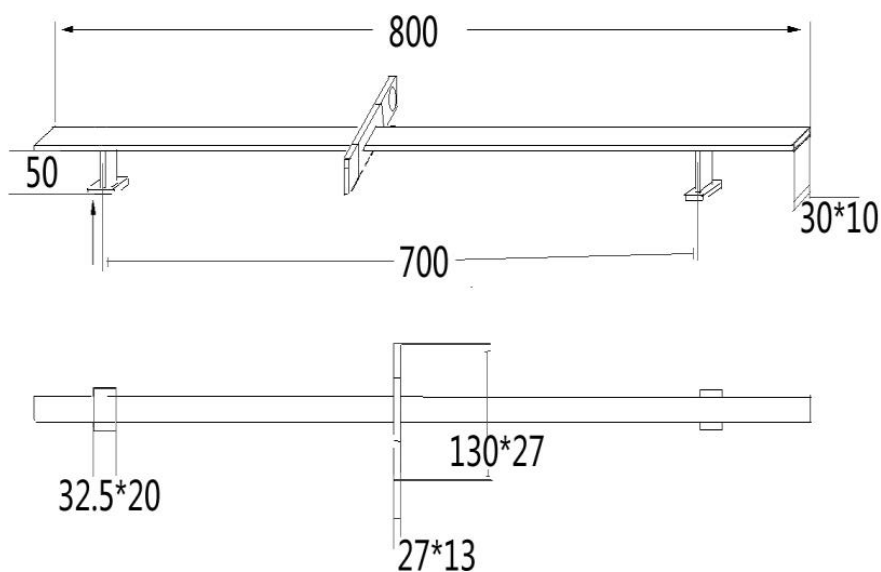
SAGITTARIUS

TAPS & SHOWERING

Construction	Brass, Stainless steel & ABS
Finishes	Chrome (Ni : 8-12um, Cr : 0.25-0.3um)
Product Type	Contemporary
Water Pressure Tested Between	Min. 0.5 bar, Max. 6.0 bar
Plumbing Systems	Suitable for all plumbing systems

**CAPRI 3 MODE PUSH BUT-
TON SLIDE RAIL KIT
CHROME
SRK/535/C**

Certification	-
Packaging	85.5 x 31 x 39.5cm / carton (10 boxes), Di- mension: 83.5 x 14 x 7.5cm / box Weight: 1.50Kg / box
Guarantee	1 year against manufacturing faults (excluding serviceable parts)
Additional Infor- mation	Chrome Brass 800mm Rail Chrome ABS Select Button 3 modes Show- er handset Chrome adjustable brass handset holder Chrome 1.5m smooth PVC shower hose

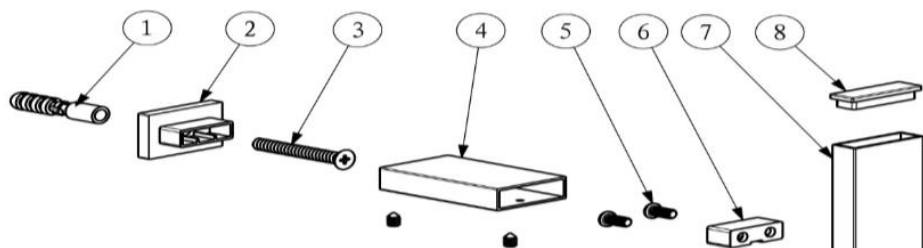


The information contained on this page was correct at the date of issue. Fitting dimensions are provided as a guide only. Some variation may occur due to manufacturing tolerances. We pursue a policy of continuing improvement in design and performance of our products and so reserve the right to change specifications without prior notice

FOR FURTHER ADVICE PLEASE CONTACT :-
SAGITTARIUS LTD UNIT 1 LOWER VICTORIA STREET—CHADDERTON—OLDHAM—OL9 9TU TEL:0616 6202029
EMAIL:TECHNICAL@SAGITTARIUSTAPS.CO.UK

Flow Rates (Litres per minute)

System Pressure	0.1 Bar	0.2 Bar	0.3 Bar	0.5 Bar	1.0 Bar	1.5 Bar	2.0 Bar	3.0 Bar	4.0 Bar	5.0 Bar
SR01A	3.8	4.7	-	6.9	11.3	-	-	-	-	-



NO.	DESCRIPTION	QTY
1	ABS WALL PLUG	3
2	CHROME ABS BASE PLATE	2
3	M4x30 S/STEEL SELF-TAPPING SCREW	2
4	BRASS SQUARE CONNECTOR	2
5	M4x8 S/STEEL SCREW	4
6	ABS FIXING WASHER	2
7	30*10 BRASS RAIL	1
8	ABS RAIL END CAP	2
9	M4x5 S/STEEL GRUB SCREW	5
10	BRASS HANDSET HOLDER BRACKET	1
11	BRASS CONNECTION STEM	1
12	BRASS HANDSET HOLDER BODY	1
13	PP HANDSET HOLDER INSERT	1
14	BRASS TIGHTENING STEM	1
15	BRASS HANDSET HOLDER HANDLE	1

