

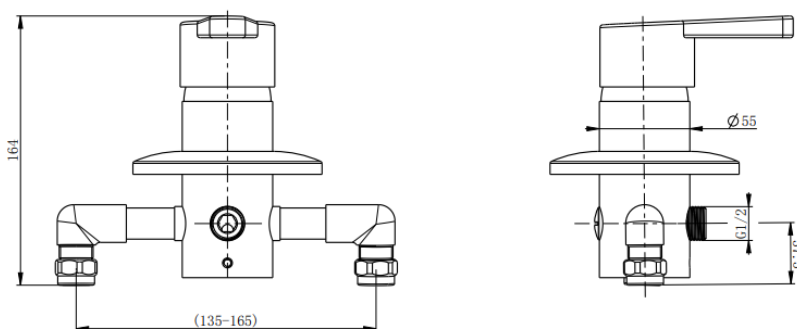
SAGITTARIUS

TAPS & SHOWERING

Construction	Brass Body (CuZn38Pb18)
Finishes	Chrome plated to BS EN 248
Product Type	Contemporary
Water Pressure	Min. 0.5 bar, Max. 6.0 bar
Plumbing Systems	Suitable for all plumbing systems, preferably balanced Max. supply pressure differential requirement
Standards	Complies with BSEN 1111
Certification	Manufactured to comply with TMV2
Cartridge	Thermostatic ceramic disc cartridge
Fitting	Inlet: 15mm Compression connection Outlet: G1/2"
Guarantee	10 years against manufacturing faults
Additional Information	Temperature: Pre-set 38°C, with push button override to 48°C Automatic shut off in the event of hot or cold water supply failure Adjustable elbow: 135 - 165mm Brass wall plate to suit Exposed or Concealed

GENOA ADJUSTABLE THERMOSTATIC SHOWER VALVE CHROME

SV/586/C

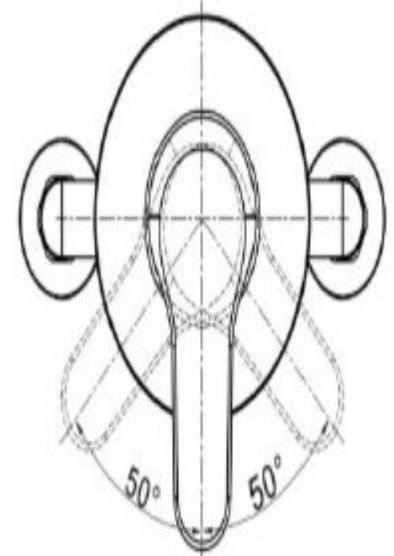
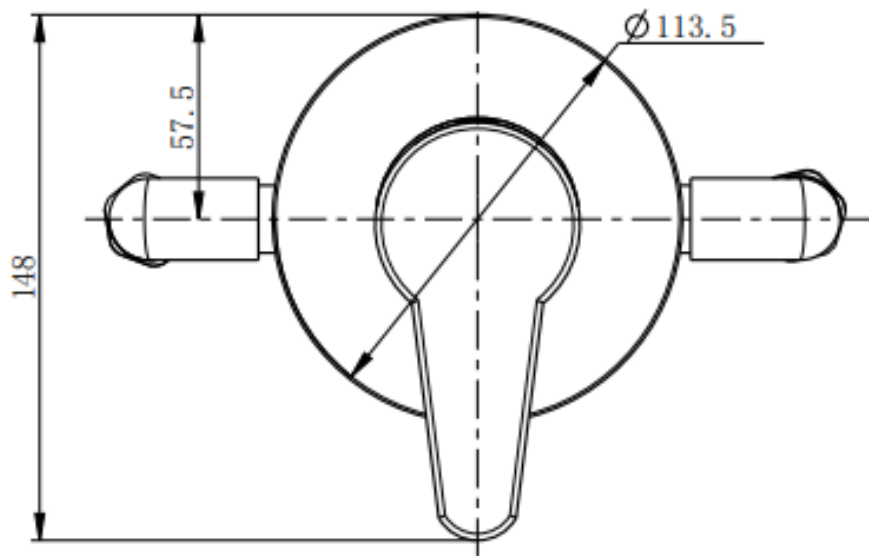


The information contained on this page was correct at the date of issue. Fitting dimensions are provided as a guide only. Some variation may occur due to manufacturing tolerances. We pursue a policy of continuing improvement in design and performance of our products and so reserve the right to change specifications without prior notice

FOR FURTHER ADVICE PLEASE CONTACT :-

SAGITTARIUS LTD UNIT 1 LOWER VICTORIA STREET—CHADDERTON—OLDHAM—OL9 9TU TEL:0616 6202029

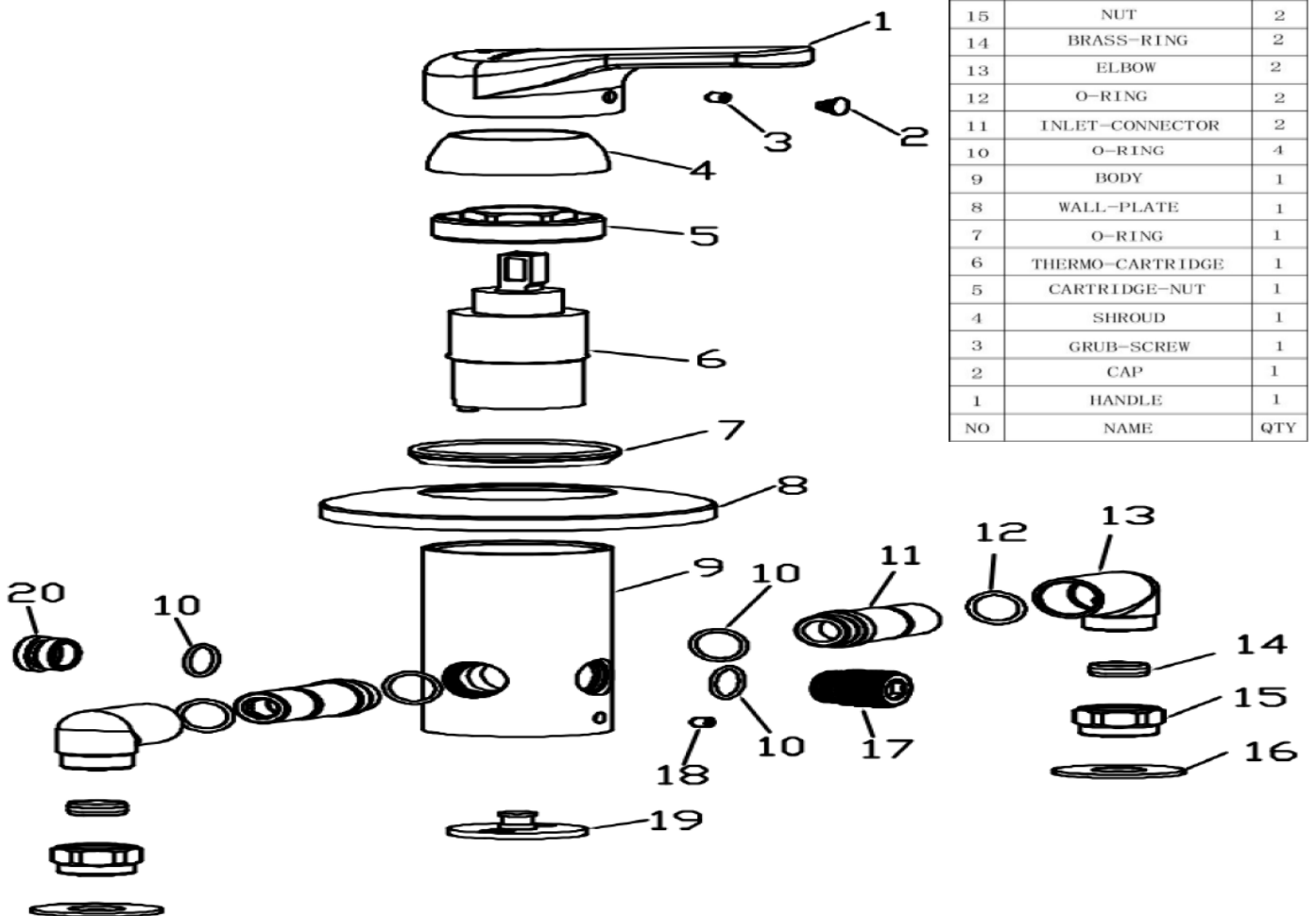
EMAIL:TECHNICAL@SAGITTARIUSTAPS.CO.UK



Flow Rates (Litres per minute)

System Pressure	0.1 Bar	0.2 Bar	0.3 Bar	0.5 Bar	1.0 Bar	1.5 Bar	2.0 Bar	3.0 Bar	4.0 Bar	5.0 Bar
	-	4.7	-	7.9	9.9	-	-	16.5	-	-

20	BLOCKER	1
19	FIXING-PLATE	1
18	SCREW	1
17	OUTLET-CONNECTOR	2
16	BASE-PLATE	2
15	NUT	2
14	BRASS-RING	2
13	ELBOW	2
12	O-RING	2
11	INLET-CONNECTOR	2
10	O-RING	4
9	BODY	1
8	WALL-PLATE	1
7	O-RING	1
6	THERMO-CARTRIDGE	1
5	CARTRIDGE-NUT	1
4	SHROUD	1
3	GRUB-SCREW	1
2	CAP	1
1	HANDLE	1
NO	NAME	QTY



FOR FURTHER ADVICE PLEASE CONTACT :-
 SAGITTARIUS LTD UNIT 1 LOWER VICTORIA STREET—CHADDERTON—OLDHAM—OL9 9TU TEL:0616 6202029
 EMAIL:TECHNICAL@SAGITTARIUSTAPS.CO.UK