

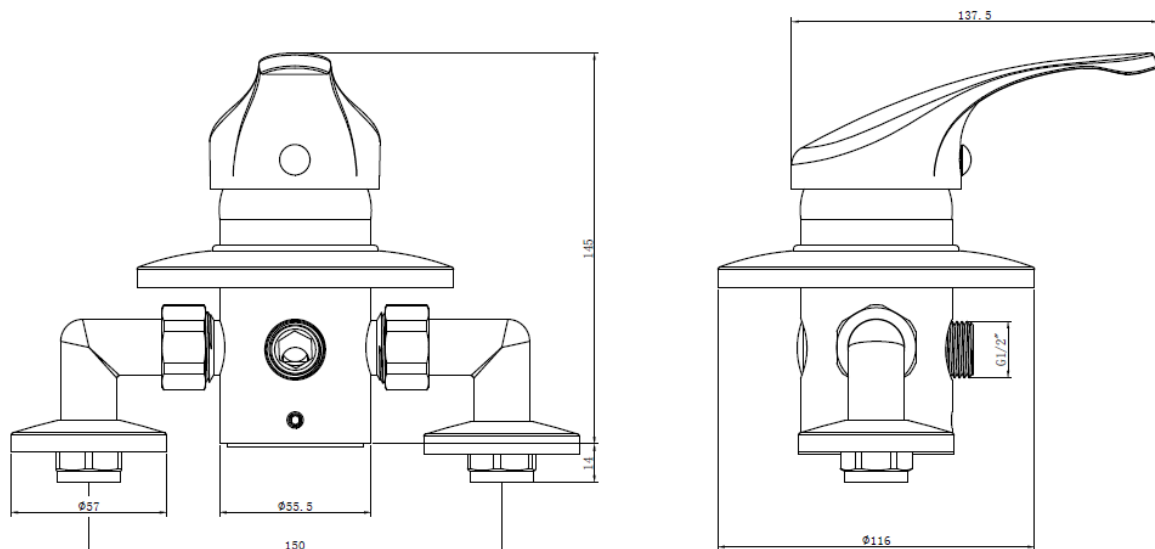
SAGITTARIUS

TAPS & SHOWERING

TREVISO MANUAL SHOWER VALVE CHROME

SV/599/C

Construction	Brass Body (CuZn38Pb18)
Finishes	Chrome plated to BS EN 248
Product Type	Contemporary
Water Pressure	Min. 0.5 bar, Max. 6.0 bar
Tested Between Standards Certification	Complies with BSEN 1111 Manufactured to comply with TMV2
Cartridge	Thermostatic ceramic disc cartridge
Fitting	Inlet: 15mm Compression connection Outlet: G1/2" BSP Male
Guarantee	10 years against manufacturing faults (excluding serviceable parts)
Additional Information	1. Temperature: Pre-set 38°C, with push button override to 48°C 2. Automatic shut off in the event of hot or cold water supply failure 3. Adjustable elbow: 135 - 165mm 4. Brass wall plate to suit Exposed or Concealed Installation



The information contained on this page was correct at the date of issue. Fitting dimensions are provided as a guide only. Some variation may occur due to manufacturing tolerances. We pursue a policy of continuing improvement in design and performance of our products and so reserve the right to change specifications without prior notice

FOR FURTHER ADVICE PLEASE CONTACT :-

SAGITTARIUS LTD UNIT 1 LOWER VICTORIA STREET—CHADDERTON—OLDHAM—OL9 9TU TEL:0616 6202029

EMAIL:TECHNICAL@SAGITTARIUSTAPS.CO.UK