

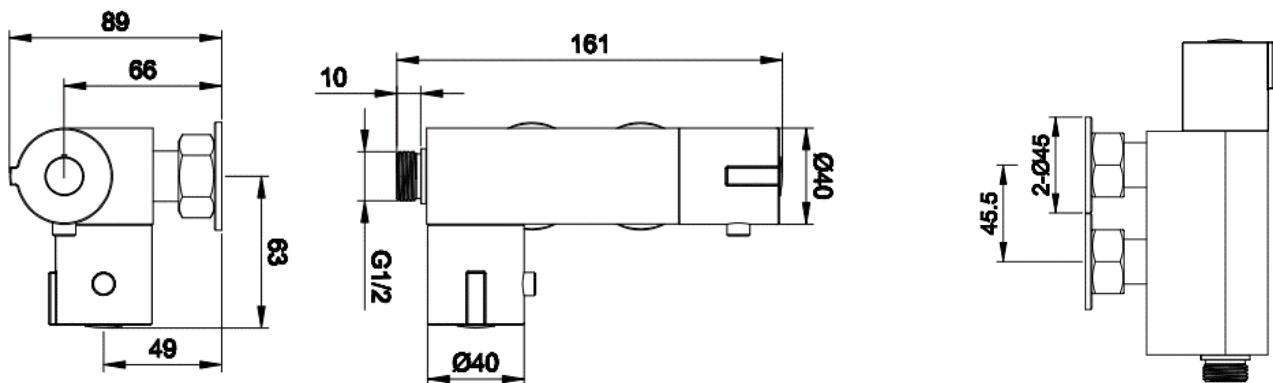
SAGITTARIUS

TAPS & SHOWERING

LOGIC VERTICAL EXPOSED SHOWER VALVE CHROME

SV/583/C

Construction	Brass Body (CuZn40Pb2), EN CW617N (equivalent to BS CZ122); Brass Base plates; ABS Handles
Finishes	Chrome plated to BS EN 248
Product Type	Contemporary
Water Pressure Tested Between	Min. 0.3 bar, Max. 6.0 bar
Standards	Complies with BSEN 1111
Certification	-
Cartridge	Thermostatic cartridge and Ceramic disc valve
Fitting	SS304 S-Union connectors (Male thread offset 1/2 inch x 3/4" BSP with Escutch Brass G1/2" BSP Male thread outlet connection)
Check valve	DN15 POM check valve (0.5-10 gpm)
Guarantee	10 years against manufacturing faults (excluding serviceable parts)
Additional Information	Temperature: Pre-set 38°C, with push button override to 48°C Automatic shut off in the event of hot or cold water supply failure



The information contained on this page was correct at the date of issue. Fitting dimensions are provided as a guide only. Some variation may occur due to manufacturing tolerances. We pursue a policy of continuing improvement in design and performance of our products and so reserve the right to change specifications without prior notice

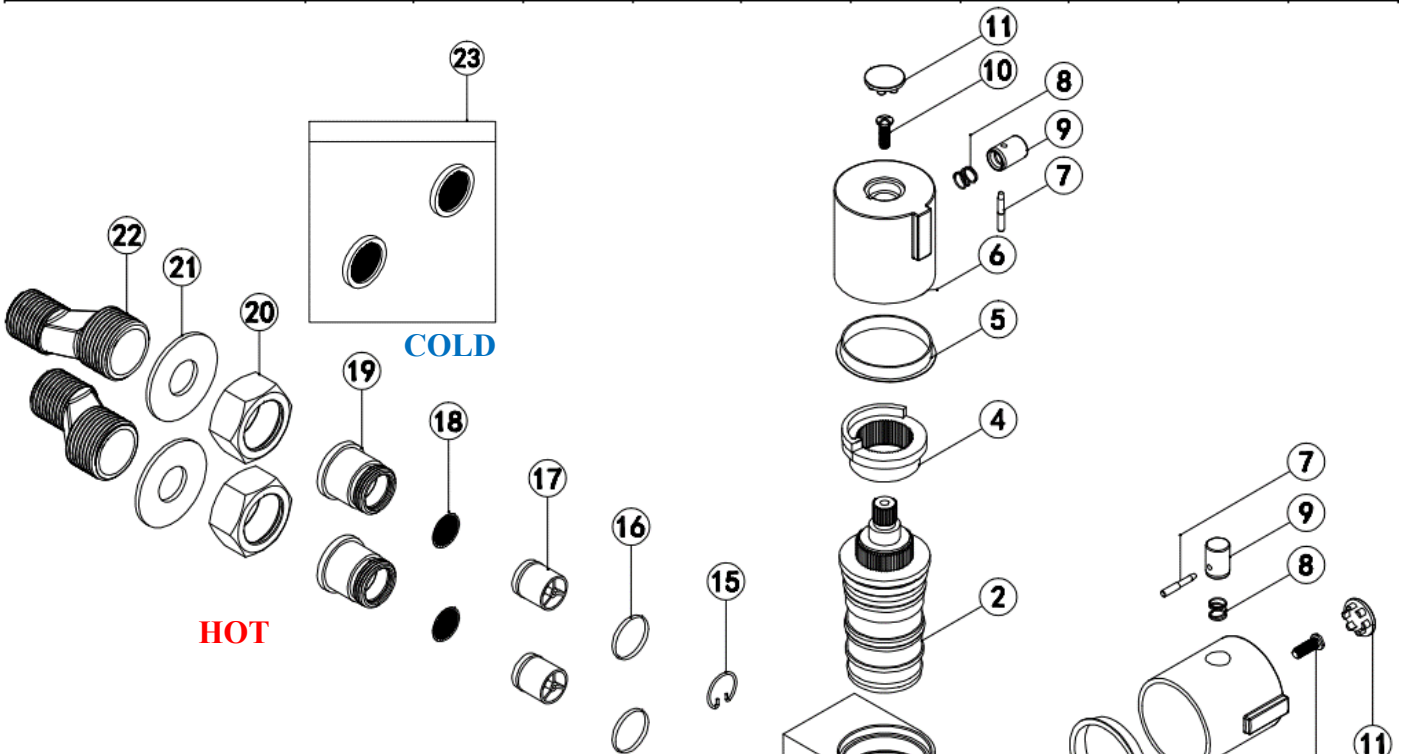
FOR FURTHER ADVICE PLEASE CONTACT :-

SAGITTARIUS LTD UNIT 1 LOWER VICTORIA STREET—CHADDERTON—OLDHAM—OL9 9TU TEL:0616 6202029

EMAIL:TECHNICAL@SAGITTARIUSTAPS.CO.UK

Flow Rates (Litres per minute)

System Pressure	0.1 Bar	0.2 Bar	0.3 Bar	0.5 Bar	1.0 Bar	1.5 Bar	2.0 Bar	3.0 Bar	4.0 Bar	5.0 Bar
	3.6	5.5	6.8	8.0	10.8	13.2	15.8	18.7	21.6	24.1



NO.	PART DESCRIPTION	QTY
1	BRASS VALVE BODY	1
2	THERMOSTATIC CARTRIDGE	1
3	G1/2" BRASS CERAMIC DISC VALVE	1
4	ABS THERMO STOP RING	1
5	∅40*∅34.5*6 POM HANDLE WASHER	2
6	∅40*41.5 ABS THERMO HANDLE	1
7	∅2.7*18 SS304 S/STEEL PUSH BUTTON PIN	2
8	∅7*0.5*11.5 SS304 PUSH BUTTON SPRING	2
9	9.6*14 ABS SAFETY PUSH BUTTON	2
10	M4*12*7.7 SS304 CROSS HEAD SCREW	2
11	∅16*5.5 ABS HANDLE COVER	2
12	∅40*41.6 ABS ON/OFF HANDLE	1
13	∅18*2 EPDM O-RING	1
14	G1/2*M20 BRASS CONNECTOR	1
15	∅17.7*1 SS304 S/STEEL CIRCLIP	2
16	∅15.4*1.8 EPDM O-RING	2
17	∅15*16 DN15 POM CHECK VALVE	2
18	∅14.8*0.2 SS304 S/STEEL FILTER WASHER	2
19	M20*1.5L*24*23 BRASS INLET CONNECTOR	2
20	G3/4*S30*15 BRASS BACK NUT	2
21	∅45*3 BRASS BASE PLATE	2
22	G1/2*G3/4*49 SS304 S-UNION CONNECTOR	2
23	G3/4 INLET FILTER WASHER	2

FOR FURTHER ADVICE PLEASE CONTACT :-

SAGITTARIUS LTD UNIT 1 LOWER VICTORIA STREET—CHADDERTON—OLDHAM—OL9 9TU TEL:0616 6202029

EMAIL:TECHNICAL@SAGITTARIUSTAPS.CO.UK