

SAGITTARIUS

TAPS & SHOWERING

**INFRA RED BASIN
MIXER CHROME
IR/063/C**

Construction	Brass Body (CuZn40Pb2), EN CW617N (equivalent to BS CZ122)
Finishes	Chrome plated to BS EN 248
Product Type	Hands free infrared activation commercial tap
Water Pressure	Min. 1.0 bar, Max. 6.0 bar
Standards	Complies with EN60529
Certification	CE, ROHS, IP54, WRAS (Pending)
Power	Voltage: DC6V or AC220V-240V (6V Output); Dynamic Output Power: 3V; Working Voltage of Solenoid Valve: 4.5V Dynamic Current: 500uA; Static Current (Sensor range 30cm): Less than 30uA
Power Options	Choice of : Batteries only DC (4 x AA batteries: up to 2 years lifespan depend on level of usage) Mains power AC supply only Both Mains AC + Batteries DC (backup) connected at the same time
Silent Consumption	Less than 1W (DC) or 0.2mW (AC); Silent power consumption: 0.5mW
Fitting	Control box: Diameter of 'inlet' pipe: G 1/2" Control box: Diameter of 'outlet' pipe: G 1/2" Suitable for cold or pre-mixed water

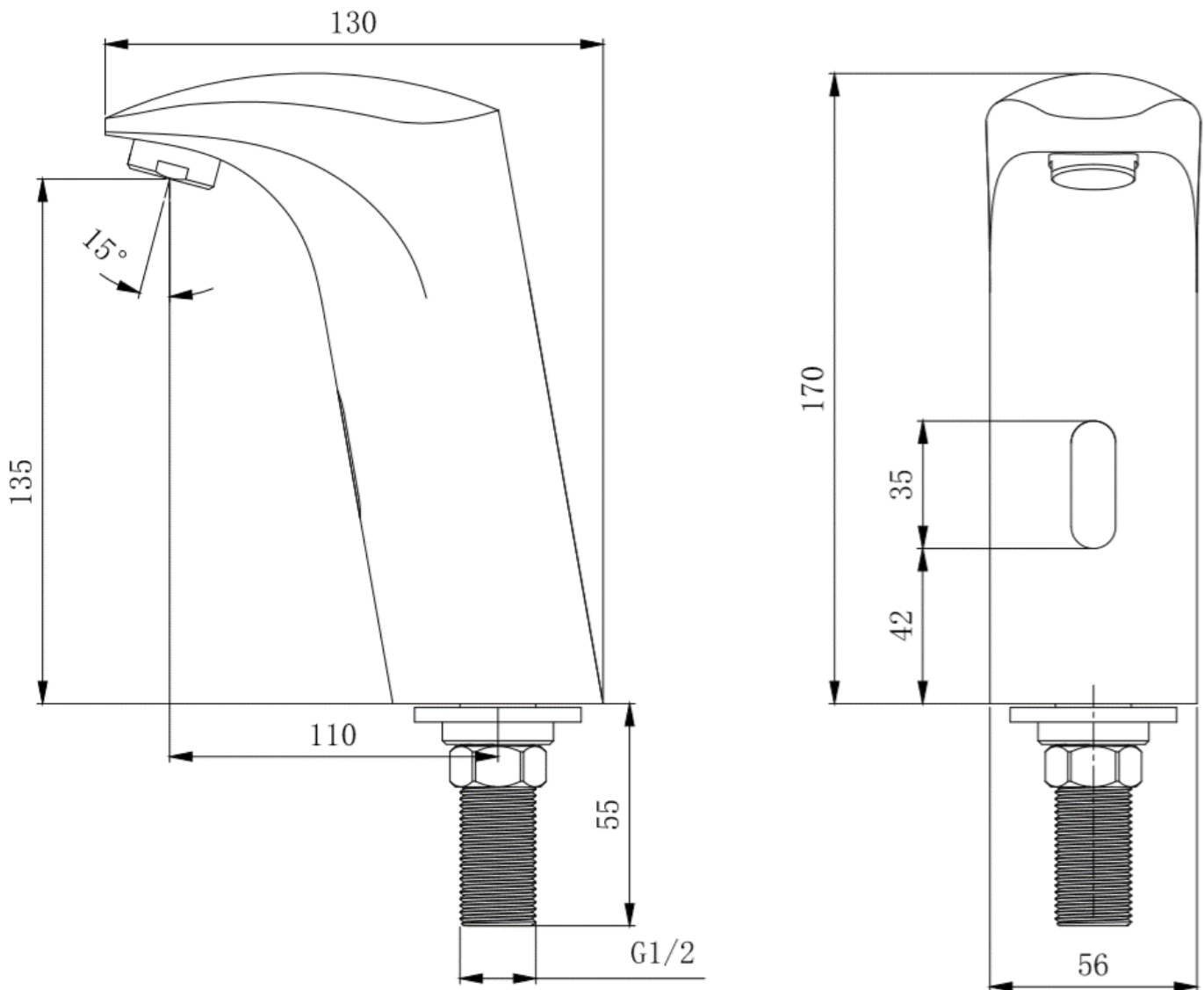


The information contained on this page was correct at the date of issue. Fitting dimensions are provided as a guide only. Some variation may occur due to manufacturing tolerances. We pursue a policy of continuing improvement in design and performance of our products and so reserve the right to change specifications without prior notice

FOR FURTHER ADVICE PLEASE CONTACT :-
SAGITTARIUS LTD UNIT 1 LOWER VICTORIA STREET—CHADDERTON—OLDHAM—OL9 9TU TEL:0616 6202029
EMAIL:TECHNICAL@SAGITTARIUSTAPS.CO.UK

Sensing distance	6 - 24 cm (Factory setting to 17-18 cm)
Respond time	0.3 Second
Noise Class	1
Aerator	Spout aerator (Anti splash & flow restrictor)
Sensor	Intergrated spout sensor
Max operational temperature	Maximum operational temperature 45°C
Guarantee	3 years against manufacturing faults (excluding serviceable parts)
Additional Information	Suitable for cold or premixed water, and suitable for main or battery installation This tap is compatible with our new IRC Sensor Remote Control (sold separately)

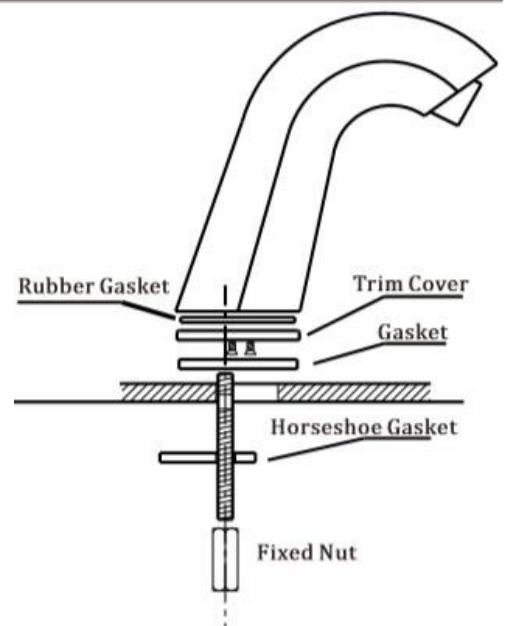
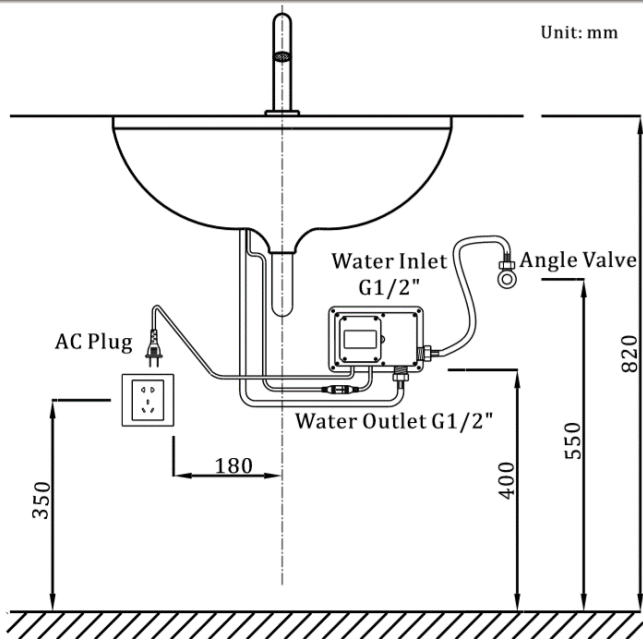
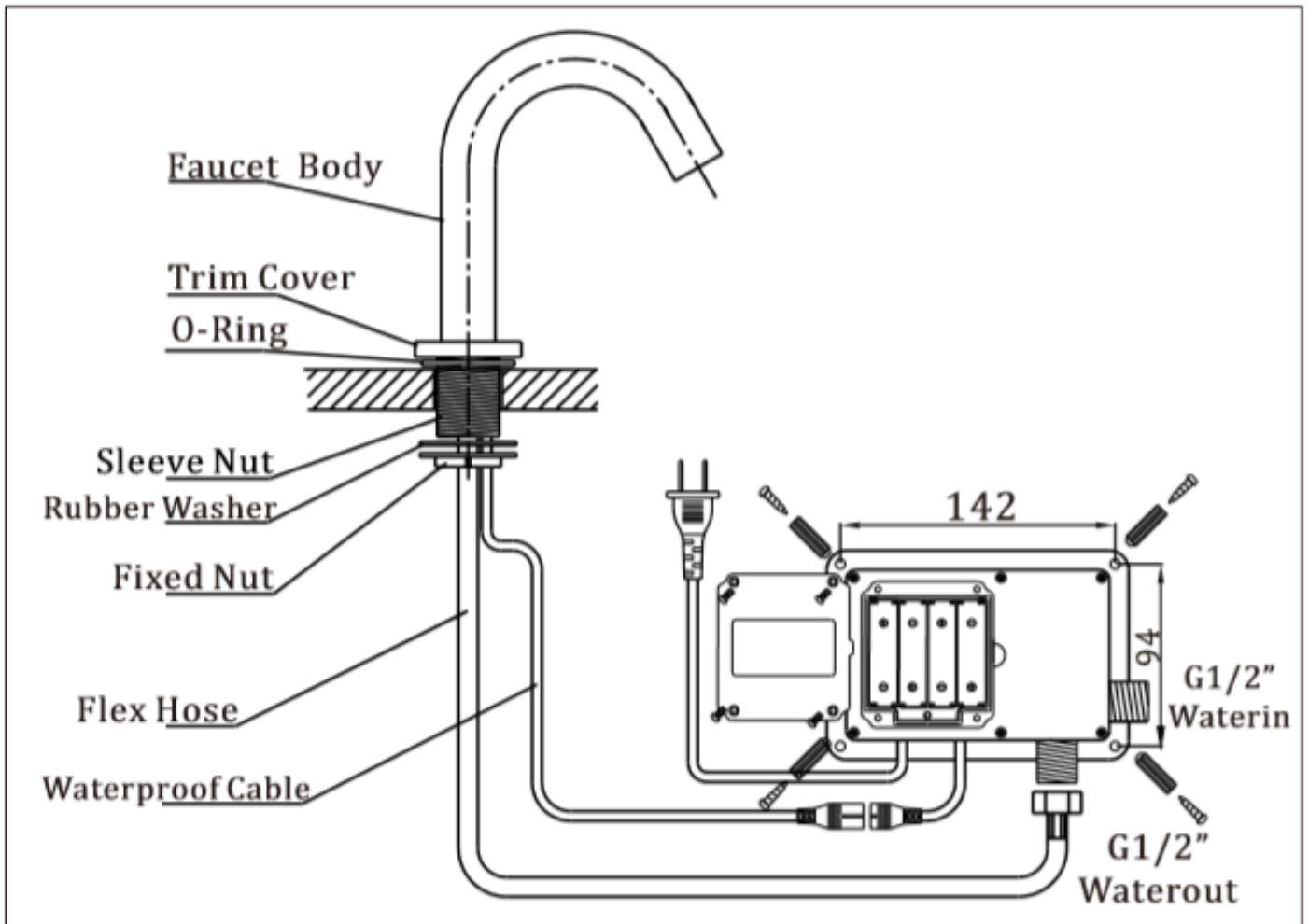
It is entirely up to customer to decide which power option/combination suits your installation / usage the best. The integrity of the tap stays the same.



FOR FURTHER ADVICE PLEASE CONTACT :-

SAGITTARIUS LTD UNIT 1 LOWER VICTORIA STREET—CHADDERTON—OLDHAM—OL9 9TU TEL:0616 6202029

EMAIL:TECHNICAL@SAGITTARIUSTAPS.CO.UK



Flow Rates (Litres per minute)

System Pressure	0.1 Bar	0.2 Bar	0.3 Bar	0.5 Bar	1.0 Bar	1.5 Bar	2.0 Bar	3.0 Bar	4.0 Bar	5.0 Bar
	-	-	-	1.6	2.5	-	3.6	4.4	5.0	5.6

FOR FURTHER ADVICE PLEASE CONTACT :-

SAGITTARIUS LTD UNIT 1 LOWER VICTORIA STREET—CHADDERTON—OLDHAM—OL9 9TU TEL:0616 6202029

EMAIL:TECHNICAL@SAGITTARIUSTAPS.CO.UK