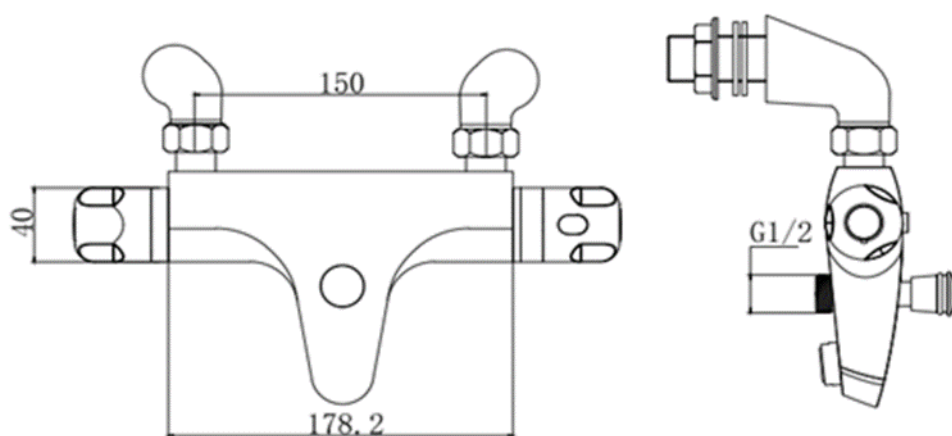
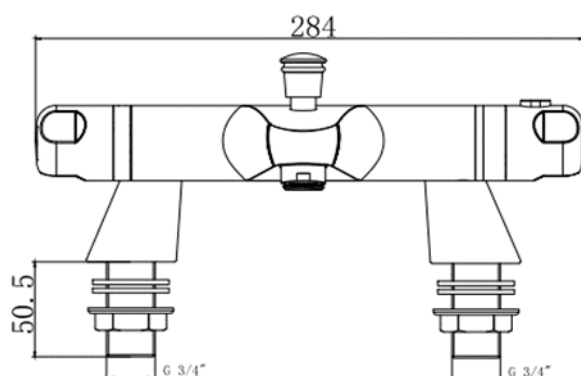


SAGITTARIUS

TAPS & SHOWERING

QUEST THERMOSTATIC DECK BATH SHOWER MIXER TBS/085/C

Construction	Brass Body
Product Type	Contemporary
Water Pressure Tested Between	Min. 1.0 bar, Max. 6.0 bar
Certification	Manufactured to comply with WRAS
Cartridge	Thermostatic cartridge & Ceramic disc valve
Fitting	G 3/4"
Check valve	DN15
Guarantee	10 years against manufacturing faults (excluding serviceable parts)
Additional Information	1. Temperature: Pre-set 38°C, with push button override to 48°C 2. Automatic shut off in the event of hot or cold water supply failure

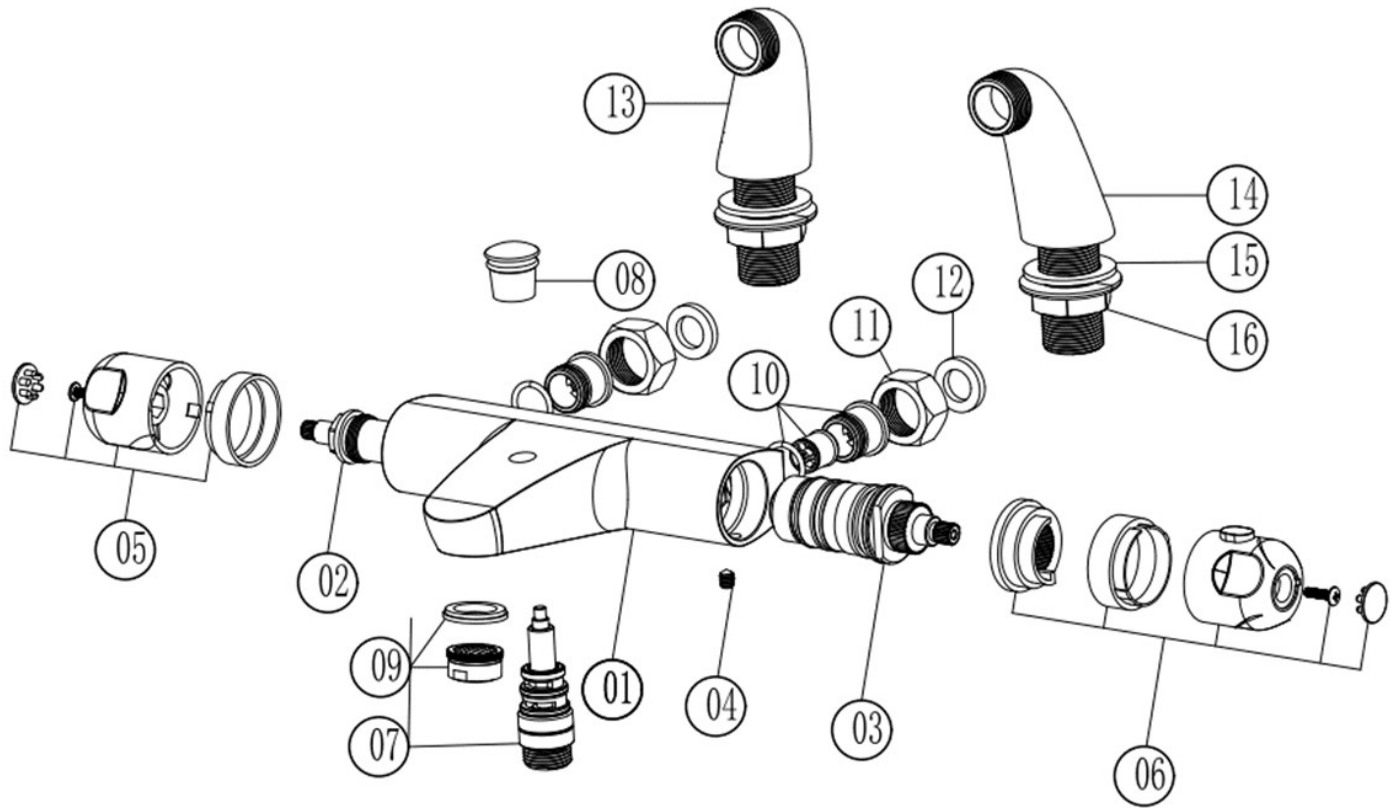


The information contained on this page was correct at the date of issue. Fitting dimensions are provided as a guide only. Some variation may occur due to manufacturing tolerances. We pursue a policy of continuing improvement in design and performance of our products and so reserve the right to change specifications without prior notice

FOR FURTHER ADVICE PLEASE CONTACT :-
SAGITTARIUS LTD UNIT 1 LOWER VICTORIA STREET—CHADDERTON—OLDHAM—OL9 9TU TEL:0616 6202029
EMAIL:TECHNICAL@SAGITTARIUSTAPS.CO.UK

Flow Rates (Litres per minute)

System Pressure	0.1 Bar	0.2 Bar	0.3 Bar	0.5 Bar	1.0 Bar	1.5 Bar	2.0 Bar	3.0 Bar	4.0 Bar	5.0 Bar
	1.9	-	3.9	5.5	8.6	-	12.9	16.2	19.0	21.5



NO	Description	QTY
1	Body	1
2	1/2 On/Off Cartridge	1
3	Themo-Cartridge	1
4	Screw	1
5	On/Off Handle	1
6	Themo-Handle	1
7	Diverter	1
8	Diverter Cap	1
9	Aerator	1
10	Check valve	2
11	G3/4 Nut	2
12	Washer	2
13	G3/4 left leg	1
14	G3/4 right leg	1
15	Lock nut	2
16	Washer	2

FOR FURTHER ADVICE PLEASE CONTACT :-

SAGITTARIUS LTD UNIT 1 LOWER VICTORIA STREET—CHADDERTON—OLDHAM—OL9 9TU TEL:0616 6202029

EMAIL:TECHNICAL@SAGITTARIUSTAPS.CO.UK