

# SAGITTARIUS

## TAPS & SHOWERING

### BABY BARI MONO BASIN MIXER BB/106

<b>Construction</b>	Brass Body, Zinc-alloy Handles & Base plates
<b>Finishes</b>	Chrome plated
<b>Product Type</b>	Contemporary
<b>Water Pressure</b>	Min. 0.2 bar,
<b>Tested Between</b>	Max.6.0 bar
<b>Standards</b>	Complies with BS6920, BS EN200
<b>Cartridge</b>	35mm Ceramic disc cartridge
<b>Aerator</b>	M24*1 Spout aerator
<b>Fitting</b>	UK: M10 x 350mm G½" BSP Female Flexi Tails EU: M10 x 350mm G3/8" BSP Female Flexi Tails
<b>Guarantee</b>	10 years against manufacturing faults (excluding serviceable parts which have a Three year warranty)
<b>Additional Information</b>	Supplied with G1¼" sprung waste (UK only)



### Operating Water Pressure



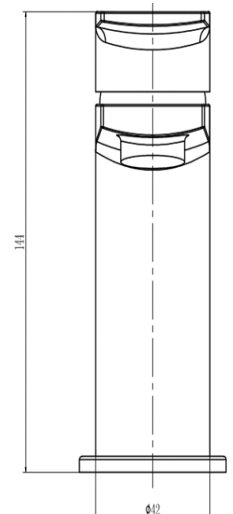
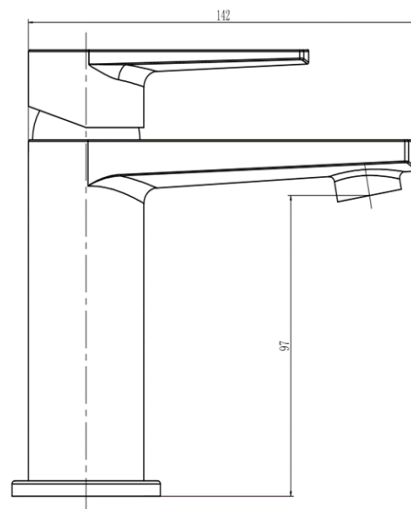
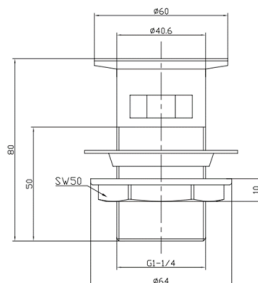
**LOW PRESSURE**  
0.2-0.5 bar



**COMBI BOILER**



**HIGH PRESSURE**  
1.2-1.5+ bar



The information contained on this page was correct at the date of issue. Fitting dimensions are provided as a guide only. Some variation may occur due to manufacturing tolerances. We pursue a policy of continuing improvement in design and performance of our products and so reserve the right to change specifications without prior notice

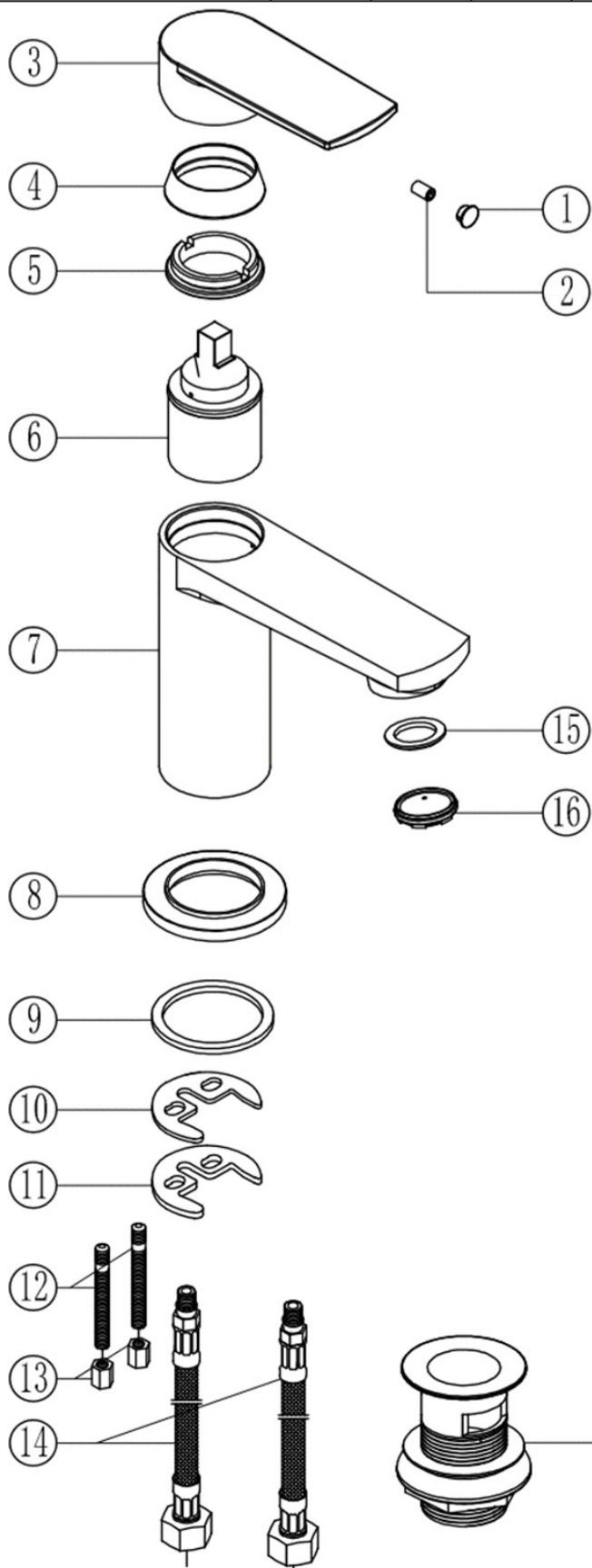
FOR FURTHER ADVICE PLEASE CONTACT :-

SAGITTARIUS LTD UNIT 1 LOWER VICTORIA STREET—CHADDERTON—OLDHAM—OL9 9TU TEL:0616 6202029

EMAIL:TECHNICAL@SAGITTARIUSTAPS.CO.UK

**Flow Rates** (Litres per minute)

System Pressure	0.1 Bar	0.2 Bar	0.3 Bar	0.5 Bar	1.0 Bar	1.5 Bar	2.0 Bar	3.0 Bar	4.0 Bar	5.0 Bar
	-	4.9	-	7.2	10.3	12.5	15.0	16.2	-	-



NO.	PARTS DESCRIPTION	QTY
1	CHROME COVER CAP	1
2	S/STEEL HANDLE GRUB SCREW	1
3	ZINC-ALLOY HANDLE	1
4	PLASTIC HANDLE COLLAR	1
5	BRASS CARTRIDGE NUT	1
6	CERAMIC DISC CARTRIDGE	1
7	BRASS TAP BODY	1
8	ZINC-ALLOY BASE PLATE	1
9	NBR BASE PLATE WASHER	1
10	RUBBER HORSE-SHOE WASHER	1
11	STEEL HORSE-SHOE PLATE	1
12	STEEL FIXING ROD	2
13	BRASS FIXING NUT	2
14	S/STEEL G1/2" BSP FLEXI-TAIL	2
15	NBR AERATOR WASHER	1
16	24*1 PLASTIC AERATOR	1
17	G1-1/4" BSP ZINC-ALLOY WASTE	1