

SAGITTARIUS

TAPS & SHOWERING

| | |
|-------------------------------|--|
| Construction | Brass Body, Zinc-alloy Handles & Base plates |
| Finishes | Chrome plated |
| Product Type | Contemporary |
| Water Pressure | Min. 0.2 bar, Max. |
| Tested Between | 6.0 bar |
| Standards | Complies with BS6920, BS EN200 |
| Cartridge | 30mm Ceramic disc cartridge |
| Aerator | M24*1 Spout aerator |
| Fitting | UK: M10 x 350mm G½" BSP Female Flexi Tails EU: M10 x 350mm G3/8" BSP Female Flexi Tails |
| Guarantee | 10 years against manufacturing faults (excluding serviceable parts which have a Three year warranty) |
| Additional Information | Supplied with G1¼" sprung waste |

BABY BARI MINI MONO BASIN MIXER BB/186



Operating Water Pressure



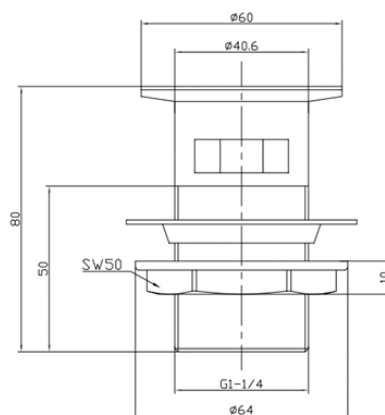
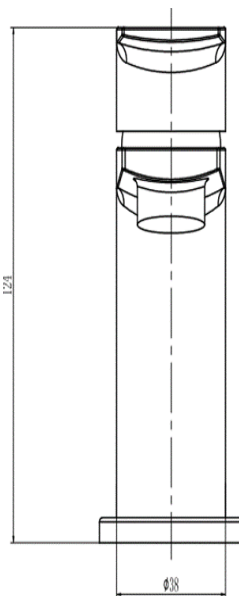
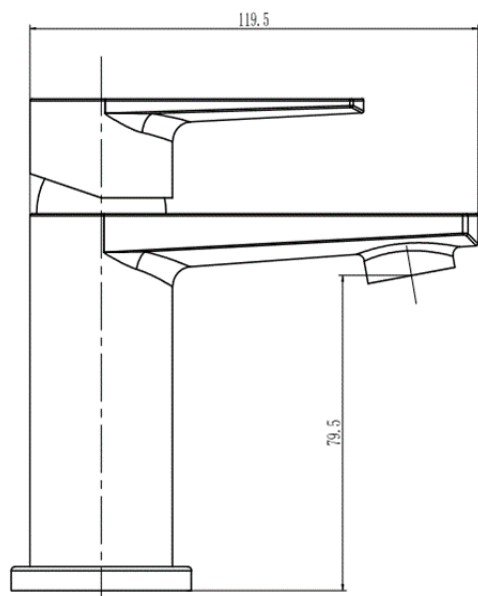
LOW PRESSURE
0.2-0.5 bar



COMBI BOILER



HIGH PRESSURE
1.2-1.5+ bar



The information contained on this page was correct at the date of issue. Fitting dimensions are provided as a guide only. Some variation may occur due to manufacturing tolerances. We pursue a policy of continuing improvement in design and performance of our products and so reserve the right to change specifications without prior notice

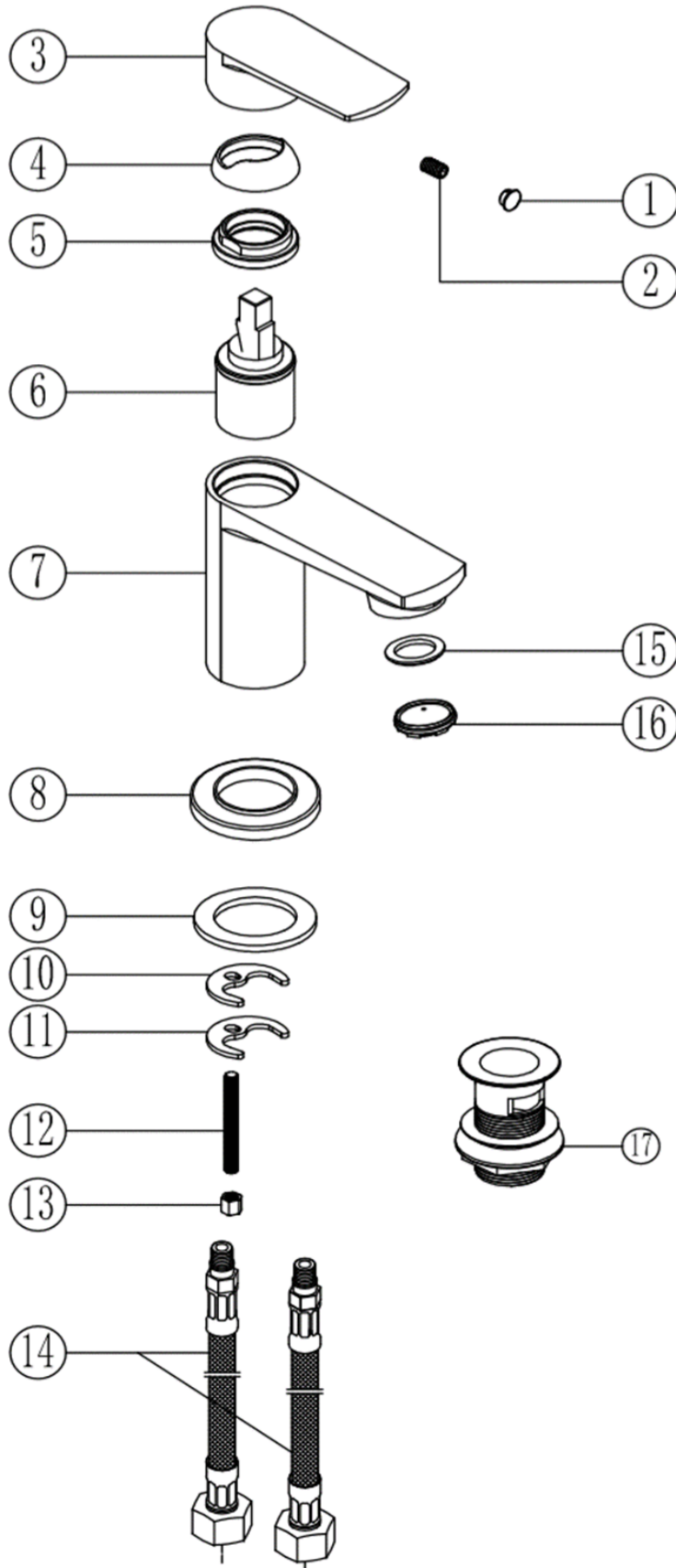
FOR FURTHER ADVICE PLEASE CONTACT :-

SAGITTARIUS LTD UNIT 1 LOWER VICTORIA STREET—CHADDERTON—OLDHAM—OL9 9TU TEL:0616 6202029

EMAIL:TECHNICAL@SAGITTARIUSTAPS.CO.UK

Flow Rates (Litres per minute)

| System Pressure | 0.1 Bar | 0.2 Bar | 0.3 Bar | 0.5 Bar | 1.0 Bar | 1.5 Bar | 2.0 Bar | 3.0 Bar | 4.0 Bar | 5.0 Bar |
|-----------------|---------|---------|---------|---------|---------|---------|---------|---------|---------|---------|
| | - | 4.2 | - | 6.1 | 8.5 | 10.5 | 12.0 | 14.5 | - | - |



| NO. | PARTS DESCRIPTION | QTY |
|-----|------------------------------|-----|
| 1 | CHROME COVER CAP | 1 |
| 2 | S/STEEL HANDLE GRUB SCREW | 1 |
| 3 | ZINC-ALLOY HANDLE | 1 |
| 4 | PLASTIC HANDLE COLLAR | 1 |
| 5 | BRASS CARTRIDGE NUT | 1 |
| 6 | CERAMIC DISC CARTRIDGE | 1 |
| 7 | BRASS TAP BODY | 1 |
| 8 | ZINC-ALLOY BASE PLATE | 1 |
| 9 | NBR BASE PLATE WASHER | 1 |
| 10 | RUBBER HORSE-SHOE WASHER | 1 |
| 11 | STEEL HORSE-SHOE PLATE | 1 |
| 12 | STEEL FIXING ROD | 2 |
| 13 | BRASS FIXING NUT | 2 |
| 14 | S/STEEL G1/2" BSP FLEXI-TAIL | 2 |
| 15 | NBR AERATOR WASHER | 1 |
| 16 | 24*1 PLASTIC AERATOR | 1 |
| 17 | G1-1/4" BSP ZINC-ALLOY WASTE | 1 |

FOR FURTHER ADVICE PLEASE CONTACT :-

SAGITTARIUS LTD UNIT 1 LOWER VICTORIA STREET—CHADDERTON—OLDHAM—OL9 9TU TEL:0616 6202029

EMAIL:TECHNICAL@SAGITTARIUSTAPS.CO.UK