

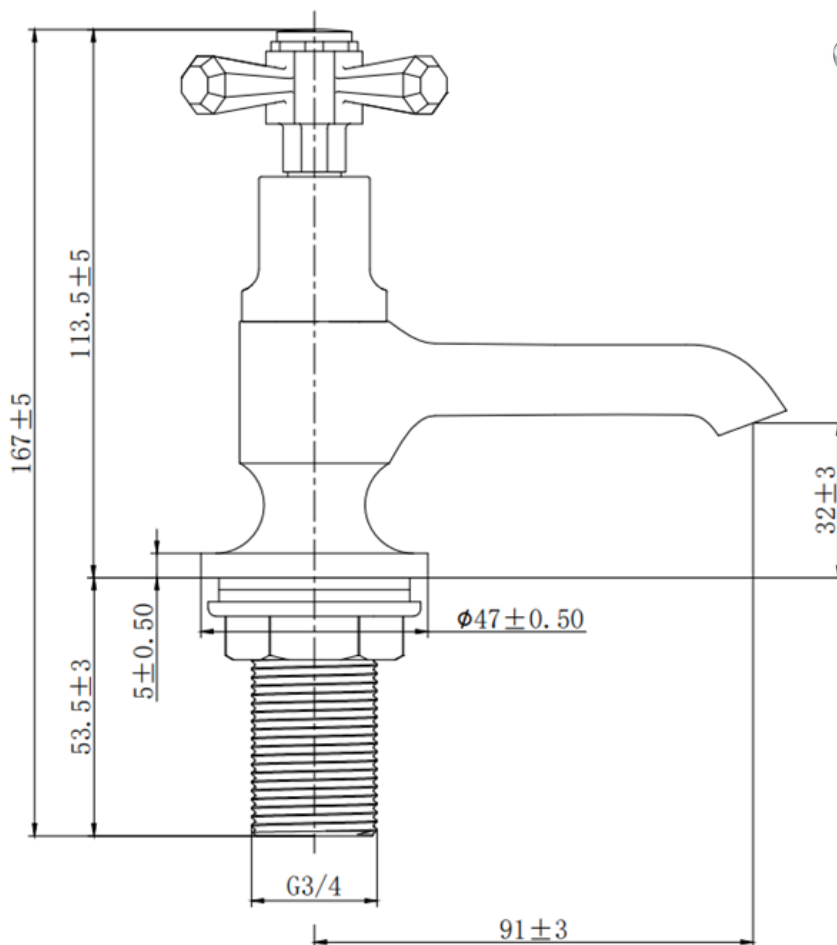
SAGITTARIUS

TAPS & SHOWERING

Construction	Brass Body (CuZn40Pb2), EN CW617N (equivalent to BS CZ122); Brass Handles
Finishes	Chrome plated to BS EN 248
Product Type	Contemporary
Water Pressure Tested Between	Min. 1.0 bar, Max. 6.0 bar
Standards	Complies with BS5412, BS EN200
Cartridge	1/4 Turn 1/2" Ceramic disc valves
Fitting	Brass G1/2" BSP tails
Guarantee	10 years against manufacturing faults (excluding serviceable parts)

FITZGERALD BATH TAPS

FG/102/C



The information contained on this page was correct at the date of issue. Fitting dimensions are provided as a guide only. Some variation may occur due to manufacturing tolerances. We pursue a policy of continuing improvement in design and performance of our products and so reserve the right to change specifications without prior notice

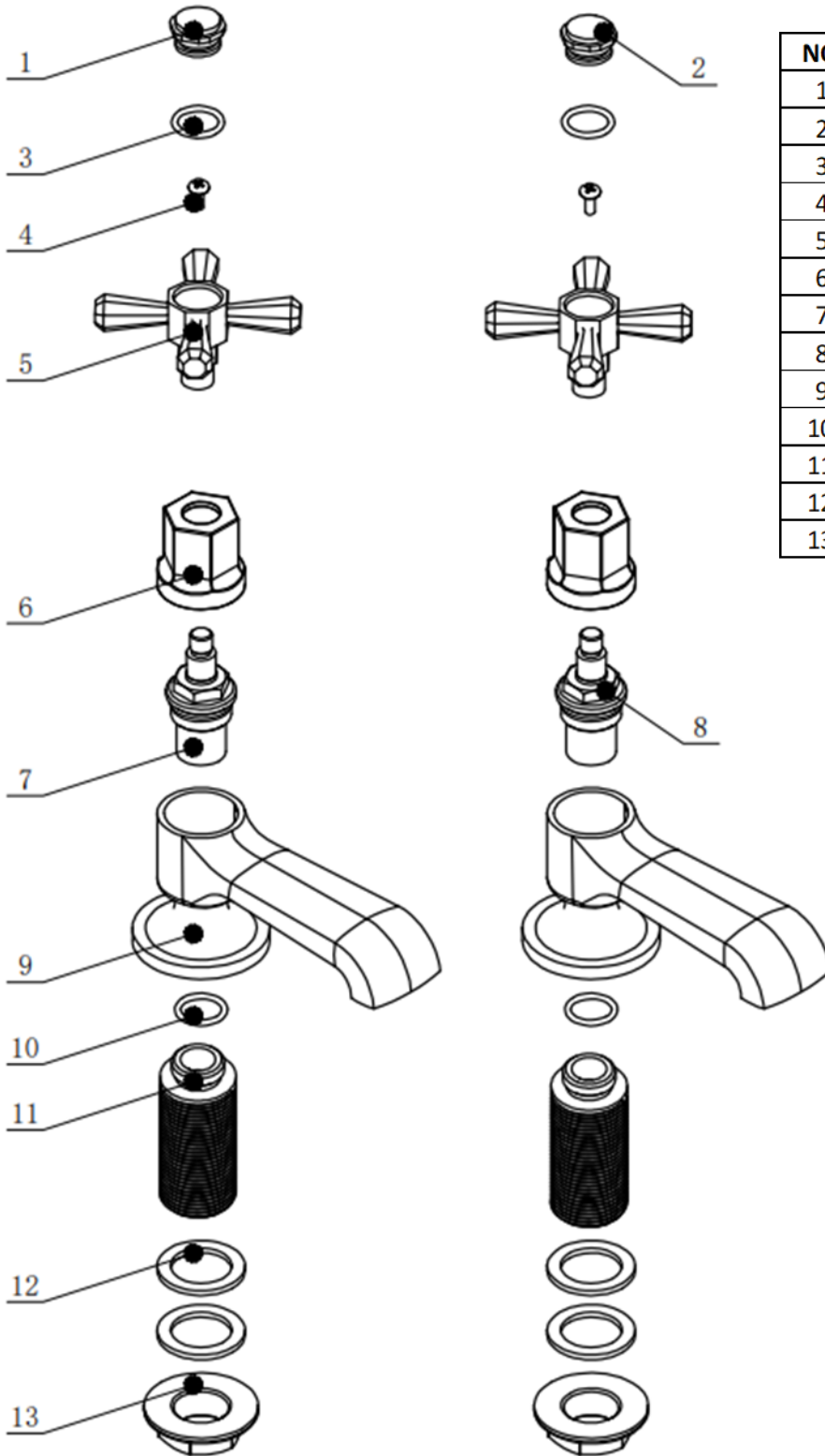
FOR FURTHER ADVICE PLEASE CONTACT :-

SAGITTARIUS LTD UNIT 1 LOWER VICTORIA STREET—CHADDERTON—OLDHAM—OL9 9TU TEL:0616 6202029

EMAIL:TECHNICAL@SAGITTARIUSTAPS.CO.UK

Flow Rates (Litres per minute)

System Pressure	0.1 Bar	0.2 Bar	0.3 Bar	0.5 Bar	1.0 Bar	1.5 Bar	2.0 Bar	3.0 Bar	4.0 Bar	5.0 Bar
	-	4.3	-	7.8	11.4	14.3	16.6	18.7	20.6	26.7



NO	Description	QTY
1	Hot indice	1
2	Cold indice	1
3	O-ring	2
4	Screw	2
5	Handle	2
6	Collar	2
7	1/2" 1/4turn Hot cartridge	1
8	1/2" 1/4turn Cold cartridge	1
9	Body	2
10	O-ring	2
11	BSP fitting	2
12	Washer	4
13	Lock Nut	2

FOR FURTHER ADVICE PLEASE CONTACT :-

SAGITTARIUS LTD UNIT 1 LOWER VICTORIA STREET—CHADDERTON—OLDHAM—OL9 9TU TEL:0616 6202029

EMAIL:TECHNICAL@SAGITTARIUSTAPS.CO.UK