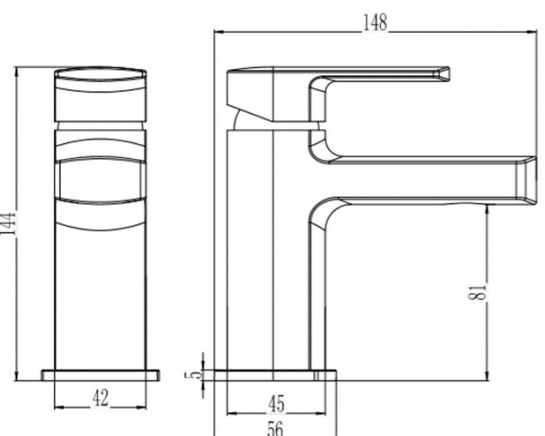


SAGITTARIUS

TAPS & SHOWERING

Construction	Brass Body, Zinc-alloy Handles & Base plates
Finishes	Chrome plated to BS
Product Type	Contemporary
Water Pressure Tested Between	Min. 0.2 bar, Max.
Standards	Complies with
Cartridge	35mm Ceramic disc
Aerator	M24*1 ABS Spout
Fitting	UK: M10 x 350mm G1/2" BSP Female Flexi Tails EU: M10 x 350mm G3/8" BSP Female Flexi Tails
Guarantee	10 years against manufacturing faults (excluding serviceable parts)
Additional Information	Supplied with G1¼" sprung waste (UK)

LATINO MONO BLOC BASIN MIXER LA/106



Operating Water Pressure



LOW PRESSURE
0.2-0.5 bar



COMBI BOILER



HIGH PRESSURE
1.2-1.5+ bar

The information contained on this page was correct at the date of issue. Fitting dimensions are provided as a guide only. Some variation may occur due to manufacturing tolerances. We pursue a policy of continuing improvement in design and performance of our products and so reserve the right to change specifications without prior notice

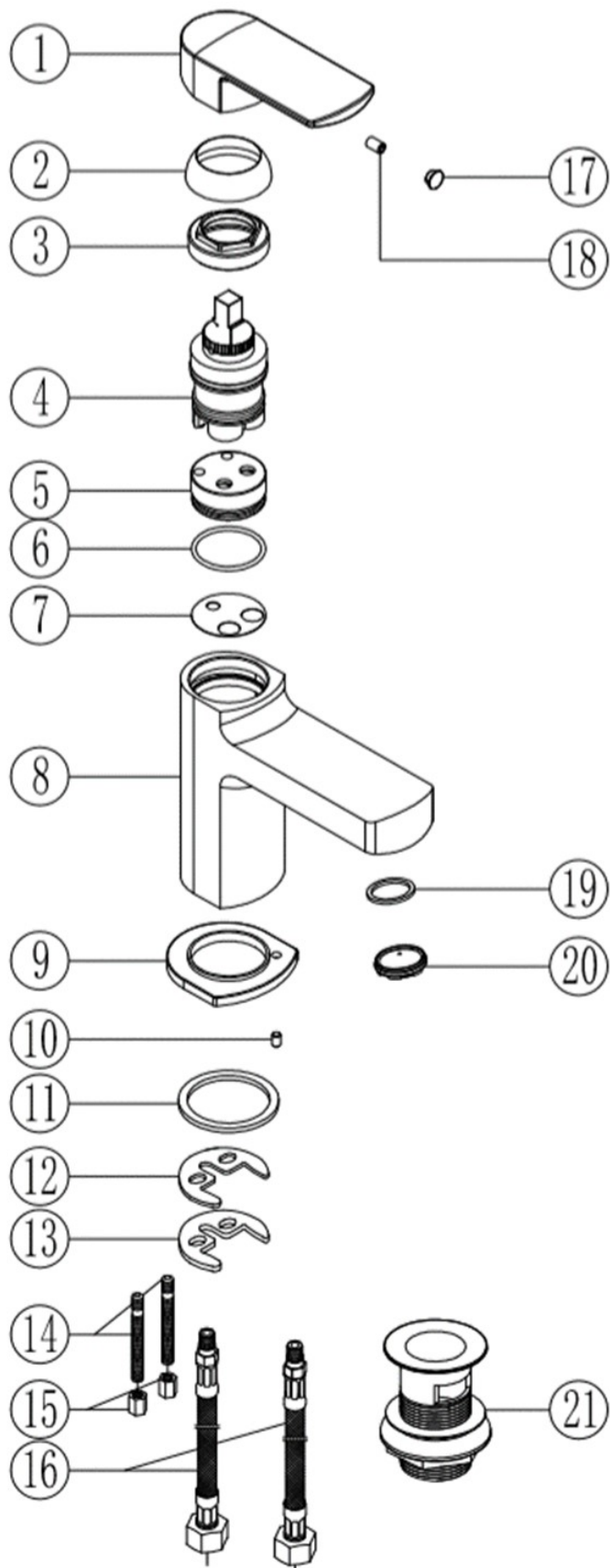
FOR FURTHER ADVICE PLEASE CONTACT :-

SAGITTARIUS LTD UNIT 1 LOWER VICTORIA STREET—CHADDERTON—OLDHAM—OL9 9TU TEL:0616 6202029

EMAIL:TECHNICAL@SAGITTARIUSTAPS.CO.UK

Flow Rates (Litres per minute)

System Pressure	0.1 Bar	0.2 Bar	0.3 Bar	0.5 Bar	1.0 Bar	1.5 Bar	2.0 Bar	3.0 Bar	4.0 Bar	5.0 Bar
	-	5.1	-	7.8	11.3	13.7	16.7	18.2	-	-



NO.	PARTS DESCRIPTION	QTY
1	ZINC-ALLOY HANDLE	1
2	PLASTIC HANDLE COLLAR	1
3	BRASS CARTRIDGE NUT	1
4	35MM CERAMIC CARTRIDGE	1
5	CARTRIDGE SEAT	1
6	NBR CARTRIDGE SEAT O-RING	1
7	S/S CARTRIDGE SEAT WASHER	1
8	BRASS TAP BODY	1
9	ZINC-ALLOY BASE PLATE	1
10	S/S BASE PLATE GRUB SCREW	1
11	NBR BASE PLATE WASHER	1
12	HORSE-SHOE WASHER	1
13	HORSE-SHOE STEEL PLATE	1
14	METAL FIXING ROD	2
15	BRASS FIXING NUT	2
16	G1/2" BSP S/S FLEXI-TAIL	2
17	PLASTIC COVER CAP	1
18	S/S HANDLE GRUB SCREW	1
19	NBR AERATOR WASHER	1
20	M24*1 ABS AERATOR	1
21	G1-1/4" ZINC-ALLOY SPRUNG WASTE	1

FOR FURTHER ADVICE PLEASE CONTACT :-

SAGITTARIUS LTD UNIT 1 LOWER VICTORIA STREET—CHADDERTON—OLDHAM—OL9 9TU TEL:0616 6202029

EMAIL:TECHNICAL@SAGITTARIUSTAPS.CO.UK