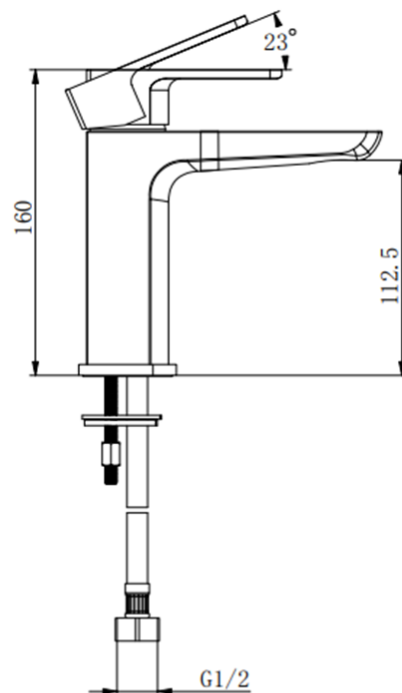


SAGITTARIUS

TAPS & SHOWERING

| | |
|--|---|
| Construction | Brass Body, Zinc-alloy Handle |
| Finishes | Matt Black |
| Product Type | Contemporary |
| Water Pressure Tested Between Standards | Min. 0.2 bar, Max. 6.0 bar |
| Cartridge | Complies with BS6920, BS EN200 |
| Fitting | 35mm Ceramic disc cartridge UK: M10 x 350mm G½" BSP Female Flexi Tails EU: M10 x 350mm G3/8" BSP Female Flexi Tails |
| Aerator | M24*1 Spout aerator |
| Guarantee | 5 years against manufacturing faults (excluding serviceable parts) |
| Additional Information | Supplied with G1¼" slotted sprung waste (UK only) |

RAVENNA MATT BLACK MONO BASIN MIXER RA/106/B



LOW PRESSURE
0.2-0.5 bar



COMBI BOILER



HIGH PRESSURE
1.2-1.5+ bar



The information contained on this page was correct at the date of issue. Fitting dimensions are provided as a guide only. Some variation may occur due to manufacturing tolerances. We pursue a policy of continuing improvement in design and performance of our products and so reserve the right to change specifications without prior notice

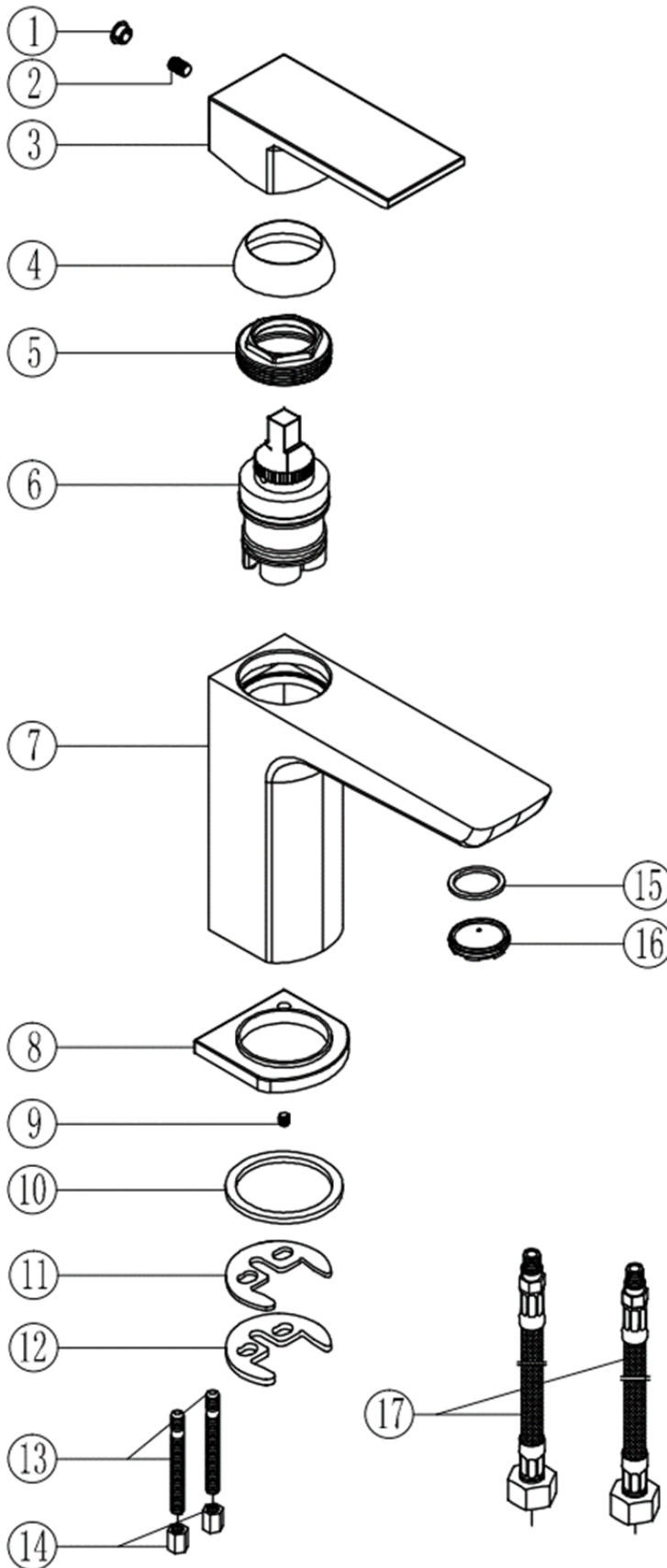
FOR FURTHER ADVICE PLEASE CONTACT :-

SAGITTARIUS LTD UNIT 1 LOWER VICTORIA STREET—CHADDERTON—OLDHAM—OL9 9TU TEL:0616 6202029

EMAIL:TECHNICAL@SAGITTARIUSTAPS.CO.UK

Flow Rates (Litres per minute)

| System Pressure | 0.1 Bar | 0.2 Bar | 0.3 Bar | 0.5 Bar | 1.0 Bar | 1.5 Bar | 2.0 Bar | 3.0 Bar | 4.0 Bar | 5.0 Bar |
|-----------------|---------|---------|---------|---------|---------|---------|---------|---------|---------|---------|
| | 4.3 | 5.7 | - | 9.0 | 12.5 | 15.1 | 17.5 | 21.2 | - | - |



| No. | DESCRIPTION | QTY |
|-----|-------------------------|-----|
| 1 | Dia. 6.8 COVER CAP | 1 |
| 2 | M5*6 GRUB SCREW | 1 |
| 3 | HANDLE | 1 |
| 4 | HANDLE COLLAR | 1 |
| 5 | CARTRIDGE LOCK NUT | 1 |
| 6 | 35mm CARTRIDGE | 1 |
| 7 | TAP BODY | 1 |
| 8 | BASE PLATE | 1 |
| 9 | M4*8 GRUB SCREW | 1 |
| 10 | 46x38x2.5 WASHER | 1 |
| 11 | HORSE-SHOE WASHER | 1 |
| 12 | HORSE-SHOE FIXING PLATE | 1 |
| 13 | M6*70 FIXING ROD | 1 |
| 14 | BRASS FIXING NUT | 1 |
| 15 | AERATOR WASHER | 2 |
| 16 | M24*1 AERATOR | 1 |
| 17 | FLEXITAILS | 2 |
| 18 | WASTE | 1 |

FOR FURTHER ADVICE PLEASE CONTACT :-

SAGITTARIUS LTD UNIT 1 LOWER VICTORIA STREET—CHADDERTON—OLDHAM—OL9 9TU TEL:0616 6202029

EMAIL:TECHNICAL@SAGITTARIUSTAPS.CO.UK