

SAGITTARIUS

TAPS & SHOWERING

Product Type	Contemporary
Water Pressure Tested Between Standards	Min. 0.2 bar, Max. 6.0 bar Complies with BS5412, BS EN200
Certification	WRAS (1805053) approved and certified
Cartridge	1/4 Turn 3/4" Ceramic Disc Valves
Fitting	Brass G $\frac{3}{4}$ " BSP Tails
Aerator	Laminar stream straightener
Guarantee	10 years against manufacturing faults (excluding serviceable parts)
Additional Information	Supplied with Brushed brass smooth PVC 1.5m hose, single mode ABS handset and wall mounted ABS holder

RAVENNA BRUSHED BRASS DECK MOUNTED BATH SHOWER MIXER



Operating Water Pressure



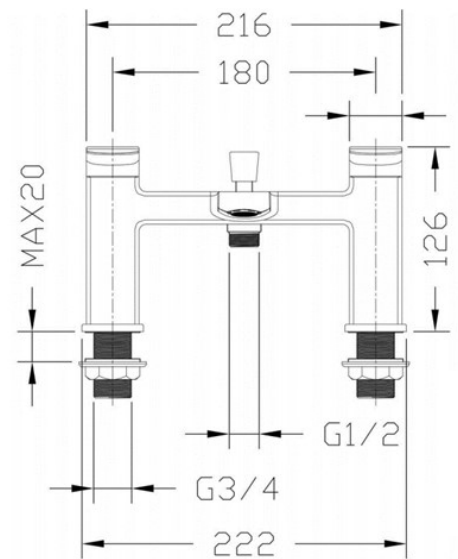
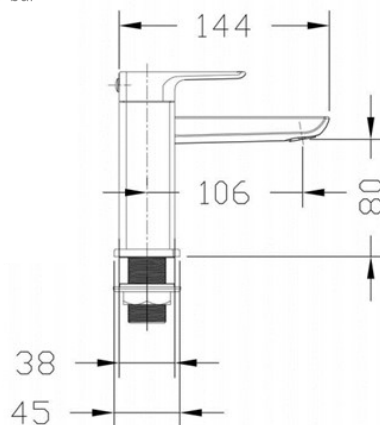
LOW PRESSURE
0.2-0.5 bar



COMBI BOILER



HIGH PRESSURE
1.2-1.5+ bar



The information contained on this page was correct at the date of issue. Fitting dimensions are provided as a guide only. Some variation may occur due to manufacturing tolerances. We pursue a policy of continuing improvement in design and performance of our products and so reserve the right to change specifications without prior notice

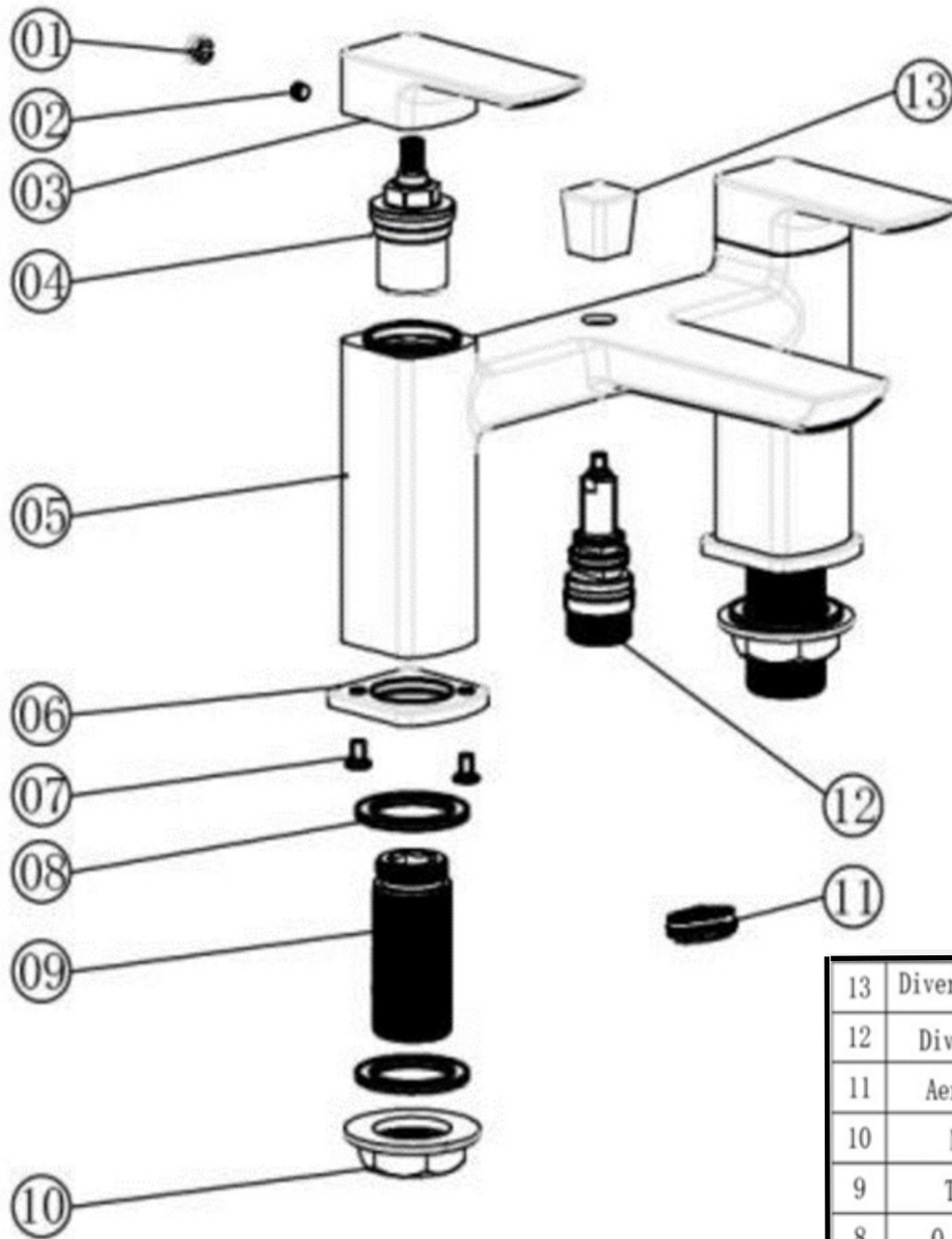
FOR FURTHER ADVICE PLEASE CONTACT :-

SAGITTARIUS LTD UNIT 1 LOWER VICTORIA STREET—CHADDERTON—OLDHAM—OL9 9TU TEL:0616 6202029

EMAIL:TECHNICAL@SAGITTARIUSTAPS.CO.UK

Flow Rates (Litres per minute)

System Pressure	0.1 Bar	0.2 Bar	0.3 Bar	0.5 Bar	1.0 Bar	1.5 Bar	2.0 Bar	3.0 Bar	4.0 Bar	5.0 Bar
	7.1	9.5	11.4	14.5	20.3	24.7	28.5	34.6	39.8	44.0



13	Diverter handle	1
12	Diverter	1
11	Aerator	1
10	Nut	1
9	Tail	1
8	O ring	4
7	Screw	4
6	Base plate	1
5	Body	1
4	Cartridge	2
3	Handle	2
2	Screw	2
1	Indice	2
No	Name	Qty

FOR FURTHER ADVICE PLEASE CONTACT :-

SAGITTARIUS LTD UNIT 1 LOWER VICTORIA STREET—CHADDERTON—OLDHAM—OL9 9TU TEL:0616 6202029

EMAIL:TECHNICAL@SAGITTARIUSTAPS.CO.UK