

SAGITTARIUS

TAPS & SHOWERING

Construction	Brass Body, Zinc-alloy Handles
Finishes	Matt Black
Product Type	Contemporary
Water Pressure Tested Between Standards	Min. 0.3 bar, Max. 6.0 bar Complies with BS5412, BS EN200
Cartridge	1/4 Turn 3/4" Ceramic disc valves
Aerator	M24*1 ABS Spout aerator
Fitting	Inlet and Outlet : Brass G3/4" BSP Male tails (hot and cold); Two G3/4" x G3/4" BSP Female Flexible connection hoses supplied (hot and cold)
Guarantee	5 years against manufacturing faults (excluding serviceable parts)

RAVENNA MATT BLACK 3 HOLE DECK MOUNTED BATH MIXER RA/111/B



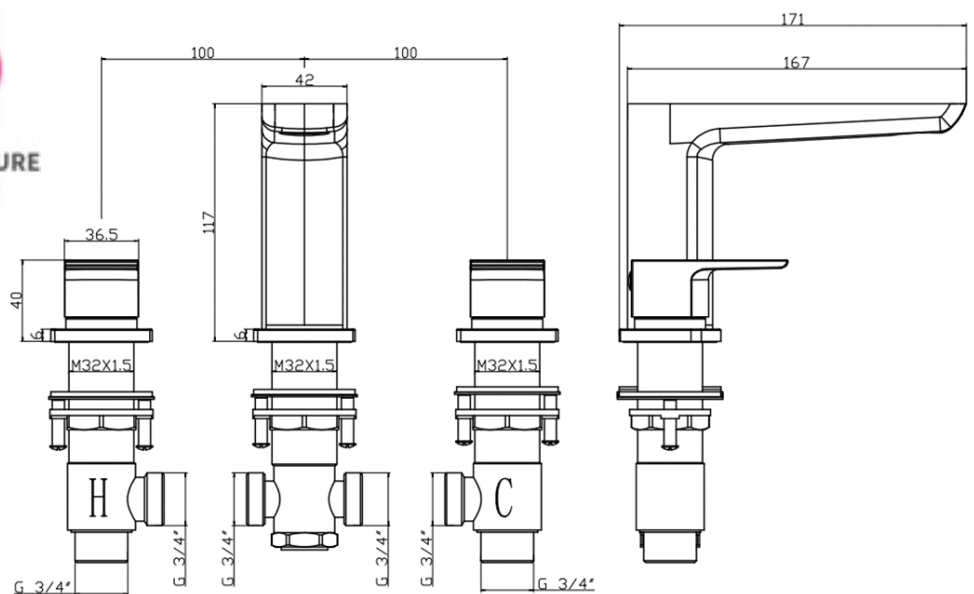
Operating Water Pressure



COMBI BOILER
1.2 - 1.5+ bar



HIGH PRESSURE
1.2 - 1.5+ bar



The information contained on this page was correct at the date of issue. Fitting dimensions are provided as a guide only. Some variation may occur due to manufacturing tolerances. We pursue a policy of continuing improvement in design and performance of our products and so reserve the right to change specifications without prior notice

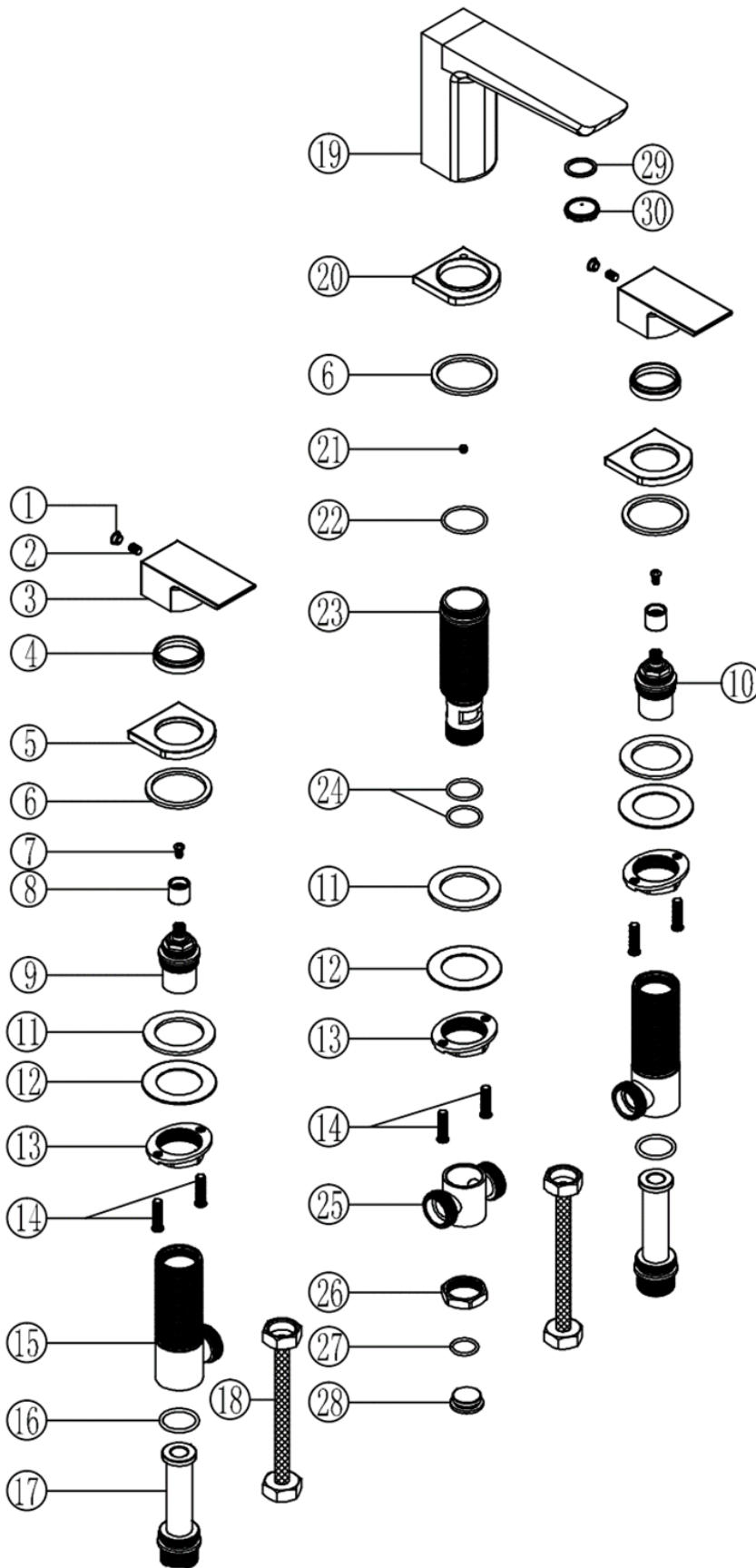
FOR FURTHER ADVICE PLEASE CONTACT :-

SAGITTARIUS LTD UNIT 1 LOWER VICTORIA STREET—CHADDERTON—OLDHAM—OL9 9TU TEL:0616 6202029

EMAIL:TECHNICAL@SAGITTARIUSTAPS.CO.UK

Flow Rates (Litres per minute)

System Pressure	0.1 Bar	0.2 Bar	0.3 Bar	0.5 Bar	1.0 Bar	1.5 Bar	2.0 Bar	3.0 Bar	4.0 Bar	5.0 Bar
	-	11.4	-	16.9	23.7	28.2	32.5	39.9	-	-



No.	DESCRIPTION	QTY
1	Ø6.8 ABS COVER CAP	2
2	M5*8 S/S GRUB SCREW	2
3	ZINC-ALLOY HANDLE	2
4	M32X1.5 BRASS HANDLE COLLAR	2
5	ZINC-ALLOY BASE PLATE	2
6	Ø46*Ø38*2.5 NBR WASHER	3
7	4*8 S/S CARTRIDGE SCREW	2
8	15 PVC CORE	2
9	G3/4" BRASS HOT CARTRIDGE	1
10	G3/4" BRASS COLD CARTRIDGE	1
11	Ø47*Ø32.5*3 NBR WASHER	3
12	S/STEEL WASHER	3
13	M32X1.5 BRASS LOCKING NUT	3
14	M6*25 FIXING SCREW	6
15	G3/4" BRASS BSP TAIL	2
16	Ø28*2.5 NBR O-RING	2
17	G3/4" BRASS WATER INLET	2
18	G3/4"xG3/4" S/S FLEXITAIL	1
19	BRASS SPOUT BODY	1
20	ZINC-ALLOY SPOUT BASE PLATE	1
21	M4*6 S/S GRUB SCREW	1
22	Ø31*2 NBR O-RING	1
23	M30X1.5 BRASS SPOUT CONNECTOR	1
24	Ø25*2 NBR O-RING	2
25	BRASS 4-WAY CONNECTOR	1
26	M25*1 BRASS LOCK NUT	1
27	Ø32*1.5 NBR WASHER	1
28	M20X1 BRASS CAPPING NUT	1

FOR FURTHER ADVICE PLEASE CONTACT :-

SAGITTARIUS LTD UNIT 1 LOWER VICTORIA STREET—CHADDERTON—OLDHAM—OL9 9TU TEL:0616 6202029

EMAIL:TECHNICAL@SAGITTARIUSTAPS.CO.UK