

SAGITTARIUS

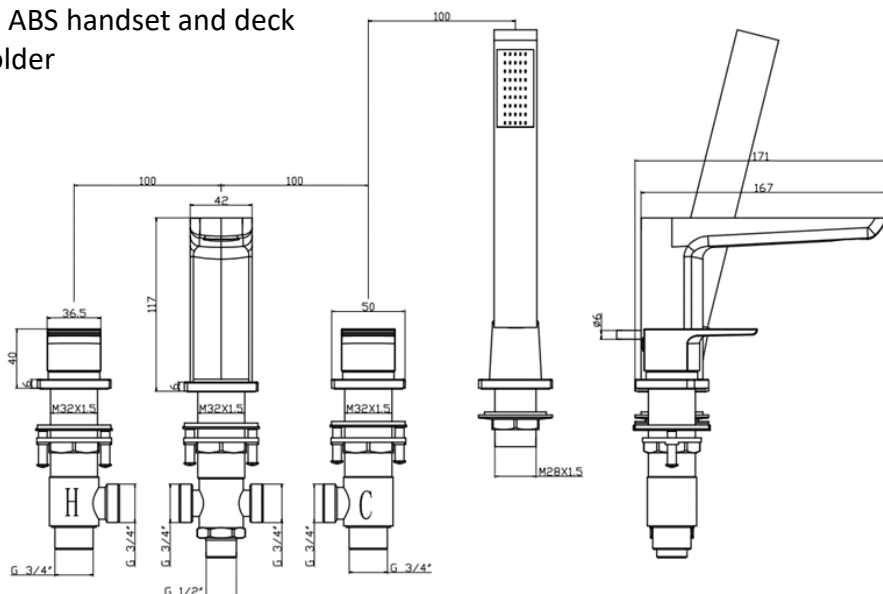
TAPS & SHOWERING

Construction	Brass Body; Zinc-alloy Handles; Brass Base plates; Zinc-alloy Spout Base plate
Finishes	Matt Black
Product Type	Contemporary
Water Pressure Tested Between Standards	Min. 0.2 bar, Max. 6.0 bar Complies with BS5412, BS EN200
Cartridge	1/4 Turn 3/4" Ceramic disc valves
Aerator	M24*1 ABS Spout aerator
Fitting	Inlet and Outlet : Brass G3/4" BSP Male tails (hot and cold); Two G3/4" x G3/4" BSP Flexible connection hoses supplied (hot and cold) Outlet for shower hose : Brass G1/2" BSP Male thread
Guarantee	5 years against manufacturing faults (excluding serviceable parts)
Additional Information	Supplied with Matt black 1.5m hose, single mode ABS handset and deck mounted holder

RAVENNA MATT BLACK 3 HOLE DECK MOUNTED BATH MIXER



Operating Water Pressure



The information contained on this page was correct at the date of issue. Fitting dimensions are provided as a guide only. Some variation may occur due to manufacturing tolerances. We pursue a policy of continuing improvement in design and performance of our products and so reserve the right to change specifications without prior notice

FOR FURTHER ADVICE PLEASE CONTACT :-

SAGITTARIUS LTD UNIT 1 LOWER VICTORIA STREET—CHADDERTON—OLDHAM—OL9 9TU TEL:0616 6202029

EMAIL:TECHNICAL@SAGITTARIUSTAPS.CO.UK

Flow Rates (Litres per minute)

System Pressure	0.1 Bar	0.2 Bar	0.3 Bar	0.5 Bar	1.0 Bar	1.5 Bar	2.0 Bar	3.0 Bar	4.0 Bar	5.0 Bar
	-	10.6	-	14.0	21.8	26.5	30.8	38.1	-	-

No.	DESCRIPTION	QTY
1	Dia. 6.8 COVER CAP	2
2	M5*8 GRUB SCREW	2
3	HANDLE	2
4	HANDLE COLLAR	2
5	BASE PLATE	2
6	46*38*2.5 WASHER	3
7	CARTRIDGE SCREW	2
8	PVC CORE	2
9	G3/4" HOT CARTRIDGE	1
10	G3/4" COLD CARTRIDGE	1
11	NBR WASHER	3
12	S/STEEL WASHER	3
13	LOCKING NUT	3
14	M6*25 FIXING SCREW	6
15	BSP TAIL	2
16	28*2.5 O-RING	2
17	G3/4" WATER INLET	2
18	G3/4" FLEXITAIL	1
19	DIVERTER ROD	1
20	SPOUT BASE PLATE	1
21	31*2 O-RING	1
22	M12*1 DIVERTER	1
23	SPOUT BASE PLATE	1
24	M4*6 GRUB SCREW	2
25	31*2 O-RING	1
26	M30X1.5 SPOUT CONNECTOR	1
27	25*2 O-RING	2
28	7*1.6 O-RING	3
29	DIVERTER STEM	1
30	DIVERTER STEM WASHER	1
31	4-WAY CONNECTOR	1
32	M25*1 BRASS NUT	1
33	32*1.5 NBR WASHER	1
34	G1/2" CONNECTOR NUT	1
35	AERATOR WASHER	1
36	M24*1 AERATOR	1
37	SHOWER HANDSET	1
38	HANDSET HOLDER	1
39	HANDSET BASE PLATE	1
40	3/4" NBR WASHER	1
41	M28*1.5 BRASS LOCK NUT	1
42	1.5m PVC SHOWER HOSE	1
43	RUBBER WEIGHT	1

FOR FURTHER ADVICE PLEASE CONTACT :-
 SAGITTARIUS LTD UNIT 1 LOWER VICTORIA STREET—CHADDERTON—OLDHAM—OL9 9TU TEL:0616 6202029
 EMAIL:TECHNICAL@SAGITTARIUSTAPS.CO.UK