

SAGITTARIUS

TAPS & SHOWERING

| | |
|--------------------------------------|--|
| Construction | Brass Body (CuZn40Pb2), EN CW617N (equivalent to BS CZ122) Zinc-alloy Handle |
| Finishes | Chrome (Ni : 8-12um, Cr : 0.25-0.3um) |
| Product Type | Contemporary |
| Water Pressure Tested Between | Min. 1.0 bar, Max. 6.0 bar |
| Plumbing Systems | Suitable for all plumbing systems, Hot and Cold water pressure preferably balanced Max. supply pressure differential requirement no greater than 5:1 |
| Standards | Complies with BSEN 1111 |
| Cartridge | CeramTec Triduo® Thermostatic ceramic disc cartridge |
| Check Valve | Neoperl DW15-PR |
| Diverter | Select Technology |
| Wall Plate | Stainless steel |
| Fitting | EZ-BOX Inlet : Two G3/4" BSP Female thread (Hot and Cold) Outlet : One G1/2" BSP Female thread |
| Guarantee | 10 years against manufacturing faults (excluding serviceable parts) |
| Additional Information | Temperature: Pre-set 38°C. Max. 45°C Automatic shut off in the event of hot or cold water supply failure |

RAVENNA CONCEALED DUAL CONTROL PUSH BUTTON THERMOSTATIC SHOWER VALVE CHROME RA/579/C



The information contained on this page was correct at the date of issue. Fitting dimensions are provided as a guide only. Some variation may occur due to manufacturing tolerances. We pursue a policy of continuing improvement in design and performance of our products and so reserve the right to change specifications without prior notice

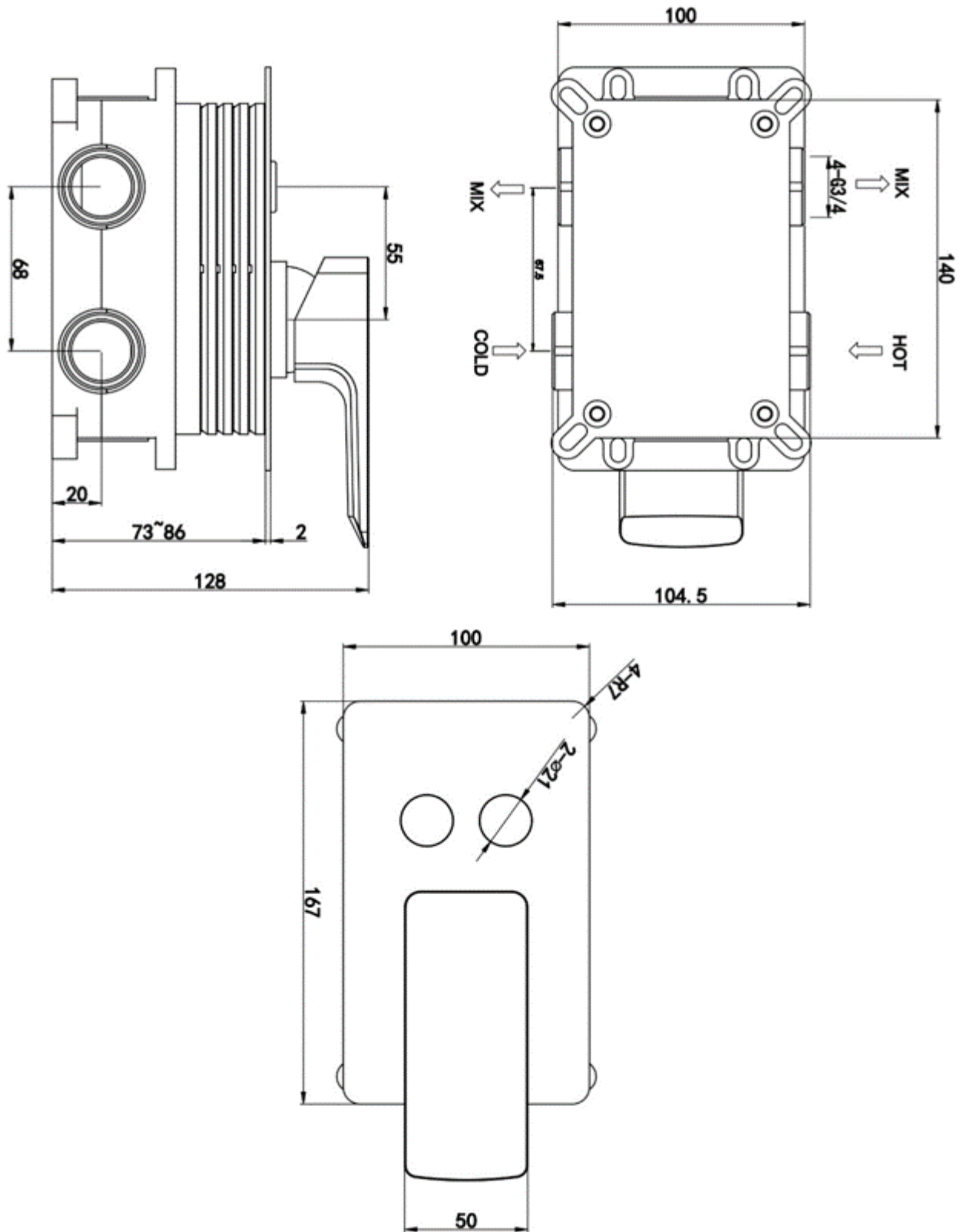
FOR FURTHER ADVICE PLEASE CONTACT :-

SAGITTARIUS LTD UNIT 1 LOWER VICTORIA STREET—CHADDERTON—OLDHAM—OL9 9TU TEL:0616 6202029

EMAIL:TECHNICAL@SAGITTARIUSTAPS.CO.UK

Flow Rates (Litres per minute)

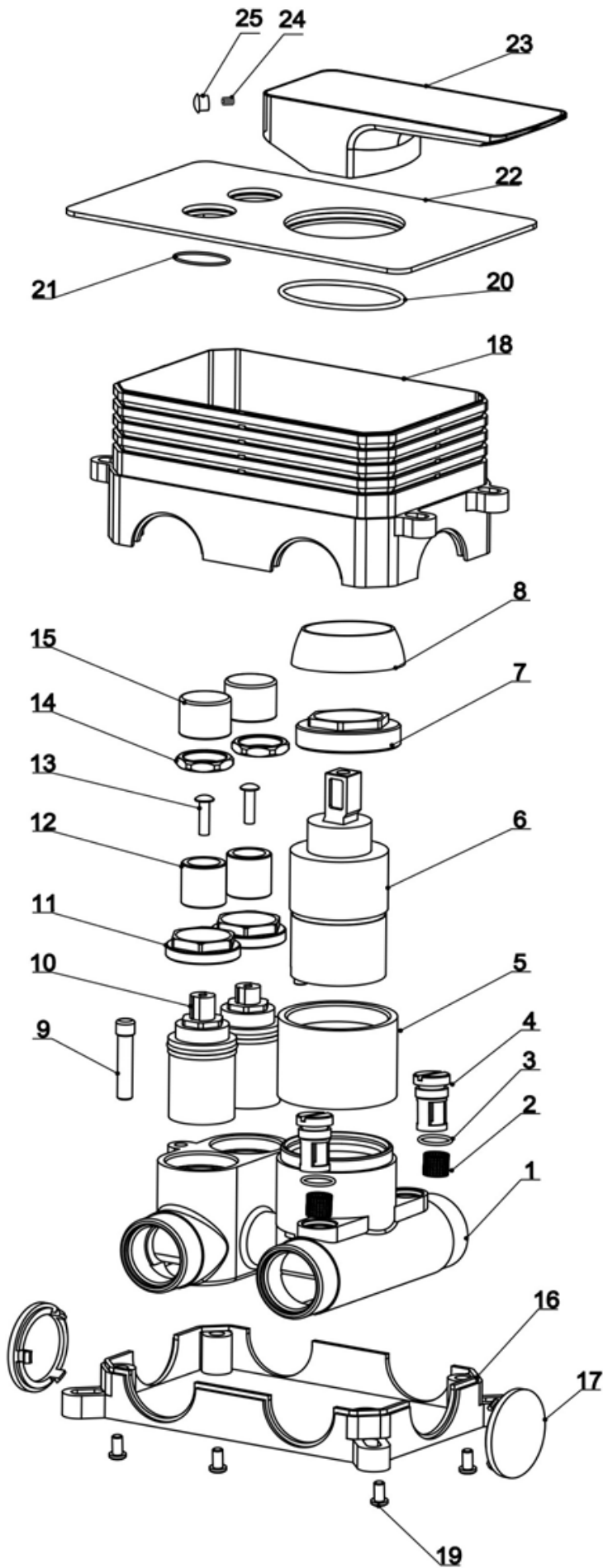
| System Pressure | 0.1 Bar | 0.2 Bar | 0.3 Bar | 0.5 Bar | 1.0 Bar | 1.5 Bar | 2.0 Bar | 3.0 Bar | 4.0 Bar | 5.0 Bar |
|-----------------|---------|---------|---------|---------|---------|---------|---------|---------|---------|---------|
| | - | - | - | 3.9 | 8.0 | - | 13.0 | 16.0 | 19.0 | 22.0 |



FOR FURTHER ADVICE PLEASE CONTACT :-

SAGITTARIUS LTD UNIT 1 LOWER VICTORIA STREET—CHADDERTON—OLDHAM—OL9 9TU TEL:0616 6202029

EMAIL:TECHNICAL@SAGITTARIUSTAPS.CO.UK



| PART NO. | DESCRIPTION | QTY. |
|----------|------------------------|------|
| 1 | Body | 1 |
| 2 | Filter | 2 |
| 3 | O-ring | 2 |
| 4 | Nuts | 2 |
| 5 | Cartridge cover | 1 |
| 6 | Thermostatic cartridge | 1 |
| 7 | Cartridge nut | 1 |
| 8 | Shroud | 1 |
| 9 | Screw | 1 |
| 10 | Flow cartridge | 2 |
| 11 | Cartridge nut | 2 |
| 12 | Cover | 2 |
| 13 | Screw | 2 |
| 14 | Nuts | 2 |
| 15 | Buttons | 2 |
| 16 | Fitting plate | 1 |
| 17 | Hole covers | 2 |
| 18 | Fitting box | 1 |
| 19 | Screw | 4 |
| 20 | O-ring | 1 |
| 21 | O-ring | 2 |
| 22 | Cover plate | 1 |
| 23 | Handle | 1 |
| 24 | Grub | 1 |
| 25 | Grub cap | 1 |

FOR FURTHER ADVICE PLEASE CONTACT :-

SAGITTARIUS LTD UNIT 1 LOWER VICTORIA STREET—CHADDERTON—OLDHAM—OL9 9TU TEL:0616 6202029

EMAIL:TECHNICAL@SAGITTARIUSTAPS.CO.UK