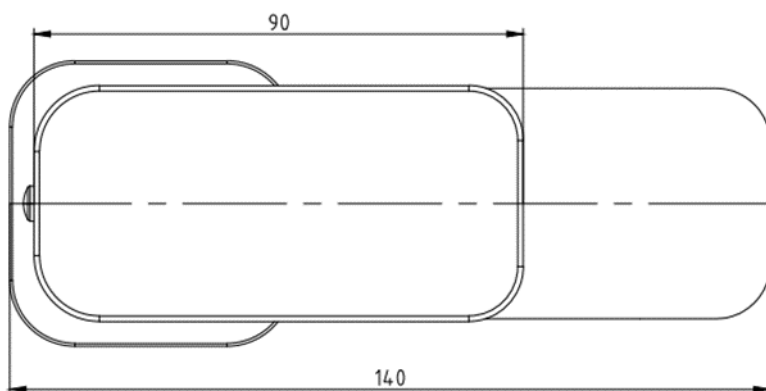
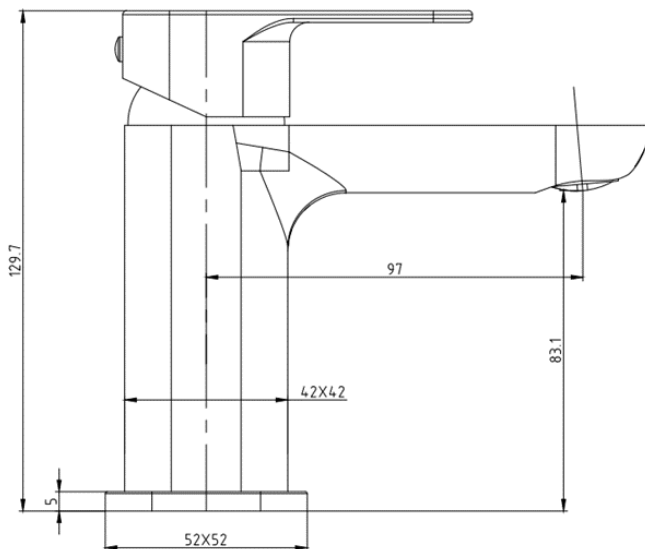


# SAGITTARIUS

## TAPS & SHOWERING

### SHERO MONOBLOC BASIN MIXER CHROME SR/106

<b>Construction</b>	Brass Body CuZn40Pb2, EN CW617N (equivalent to BS CZ122) Zinc alloy Handle
<b>Finishes</b>	Chrome plated
<b>Product Type</b>	Contemporary
<b>Water Pressure Tested Between</b>	Min. 0.2 bar, Max. 6.0 bar
<b>Packaging</b>	30.5 x 23.5 x 4.5cm / carton (10 boxes), Dimension: 22 x 14.5 x 9cm / box; Weight: 1.26Kg / box
<b>Guarantee</b>	10 years against manufacturing faults (excluding serviceable parts)

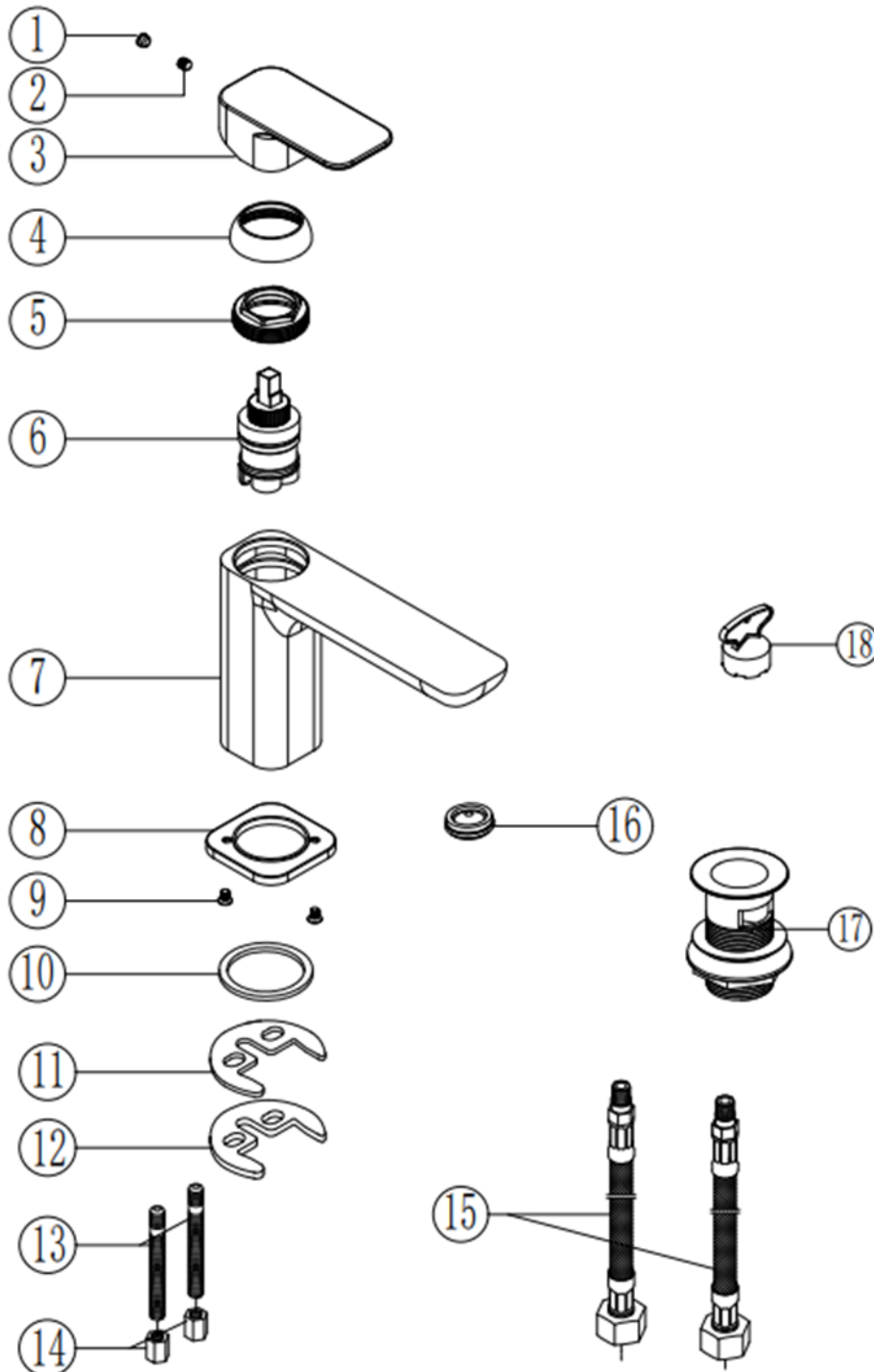


The information contained on this page was correct at the date of issue. Fitting dimensions are provided as a guide only. Some variation may occur due to manufacturing tolerances. We pursue a policy of continuing improvement in design and performance of our products and so reserve the right to change specifications without prior notice

FOR FURTHER ADVICE PLEASE CONTACT :-  
SAGITTARIUS LTD UNIT 1 LOWER VICTORIA STREET—CHADDERTON—OLDHAM—OL9 9TU TEL:0616 6202029  
EMAIL:TECHNICAL@SAGITTARIUSTAPS.CO.UK

**Flow Rates** (Litres per minute)

System Pressure	0.1 Bar	0.2 Bar	0.3 Bar	0.5 Bar	1.0 Bar	1.5 Bar	2.0 Bar	3.0 Bar	4.0 Bar	5.0 Bar
	-	3.3	-	6.3	9.3	11.6	13.5	16.8	-	-



NO	Description	QTY
1	Indice Cap	1
2	Grab screw	1
3	Handle	1
4	Collar	1
5	Lock nut	1
6	35mm high Cartridge	1
7	Body	1
8	Base plate	1
9	Screw	2
10	Washer	1
11	House shoes fitting washer	1
12	House shoes fitting	1
13	Screw	2
14	Nut	2
15	Flexi Tail	1
16	Aerator	1
17	Waste	1
18	Aerator key	1

FOR FURTHER ADVICE PLEASE CONTACT :-

SAGITTARIUS LTD UNIT 1 LOWER VICTORIA STREET—CHADDERTON—OLDHAM—OL9 9TU TEL:0616 6202029

EMAIL:TECHNICAL@SAGITTARIUSTAPS.CO.UK