

SAGITTARIUS

TAPS & SHOWERING

Construction Brass Body, Zinc alloy Handle

Finishes Chrome plated

Product Type Contemporary

Water Pressure Tested Between Min. 0.5 bar, Max. 6.0 bar

Guarantee 10 years against manufacturing faults (excluding serviceable parts)

SHERO CLOAKROOM

BASIN MIXER

SR/186/C

Operating Water Pressure



LOW PRESSURE

0.2-0.5 bar

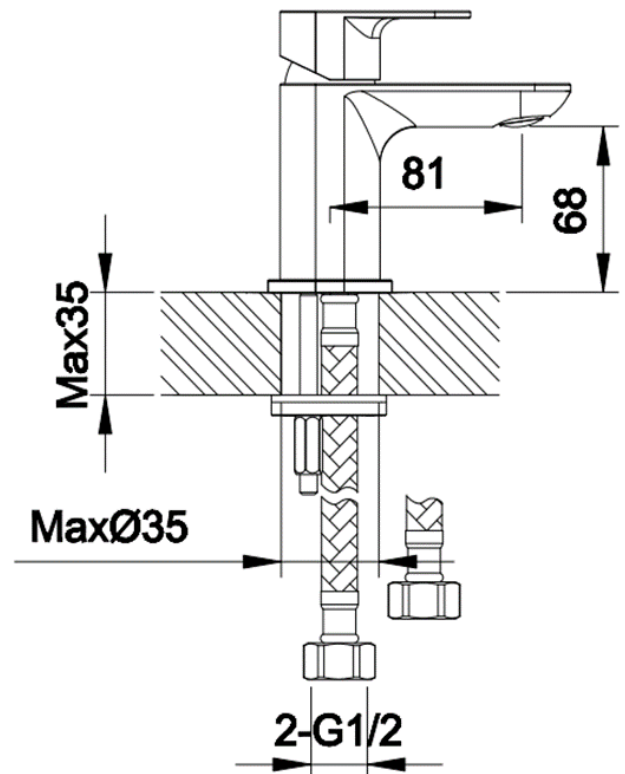
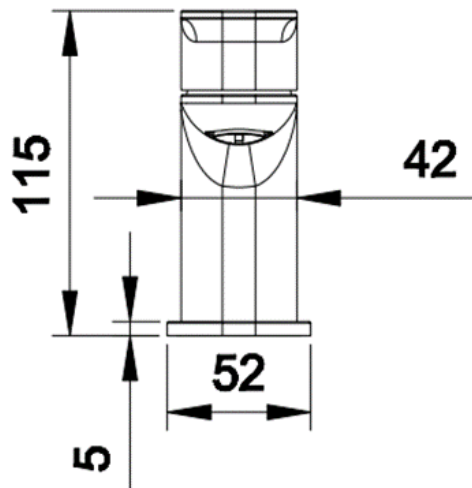


COMBI BOILER



HIGH PRESSURE

1.2-1.5+ bar



The information contained on this page was correct at the date of issue. Fitting dimensions are provided as a guide only. Some variation may occur due to manufacturing tolerances. We pursue a policy of continuing improvement in design and performance of our products and so reserve the right to change specifications without prior notice

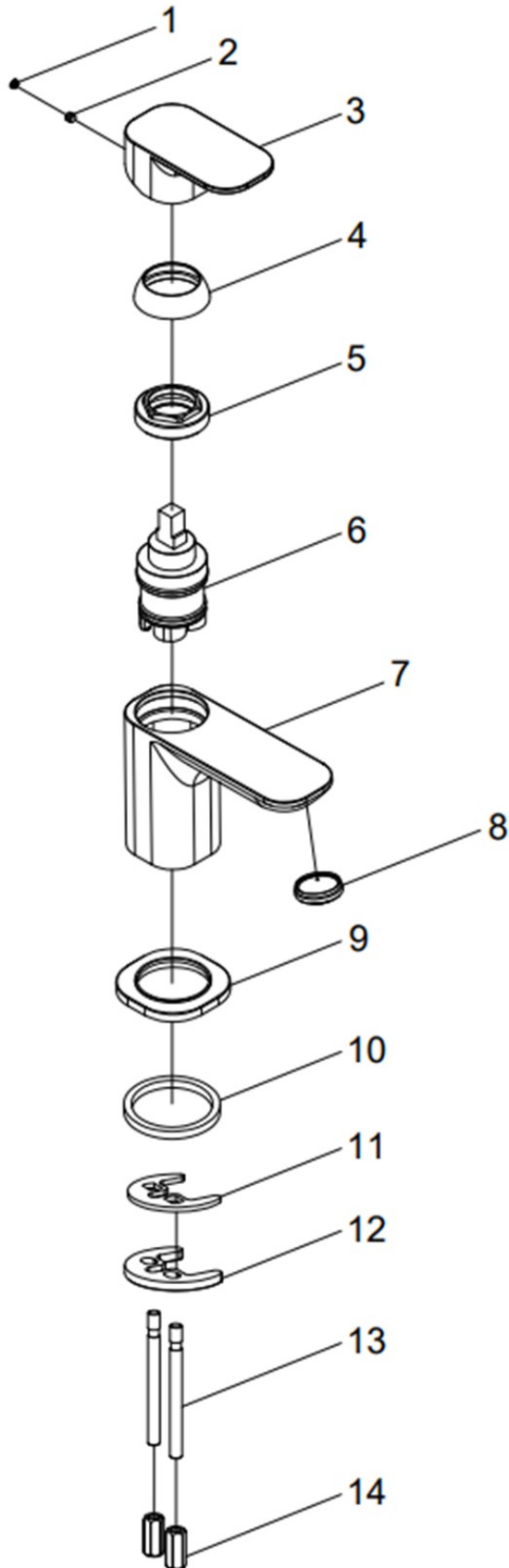
FOR FURTHER ADVICE PLEASE CONTACT :-

SAGITTARIUS LTD UNIT 1 LOWER VICTORIA STREET—CHADDERTON—OLDHAM—OL9 9TU TEL:0616 6202029

EMAIL:TECHNICAL@SAGITTARIUSTAPS.CO.UK

Flow Rates (Litres per minute)

System Pressure	0.1 Bar	0.2 Bar	0.3 Bar	0.5 Bar	1.0 Bar	1.5 Bar	2.0 Bar	3.0 Bar	4.0 Bar	5.0 Bar
	-	-	-	10.5	12.8	-	17.0	20.0	23.0	-



1	COVER CAP	1
2	GRUB SCREW	1
3	HANDLE	1
4	HANDLE COLLAR	1
5	CARTRIDGE LOCK NUT	1
6	CARTRIDGE	1
7	TOP BODY	1
8	AERATOR	1
9	BASE PLATE	1
10	WASHER	1
11	HORSE-SHOE WASHER	1
12	HORSE-SHOE FIXING PLATE	1
13	FLEXITAILS	2
14	BRASS FIXING NUT	2

FOR FURTHER ADVICE PLEASE CONTACT :-

SAGITTARIUS LTD UNIT 1 LOWER VICTORIA STREET—CHADDERTON—OLDHAM—OL9 9TU TEL:0616 6202029

EMAIL:TECHNICAL@SAGITTARIUSTAPS.CO.UK