

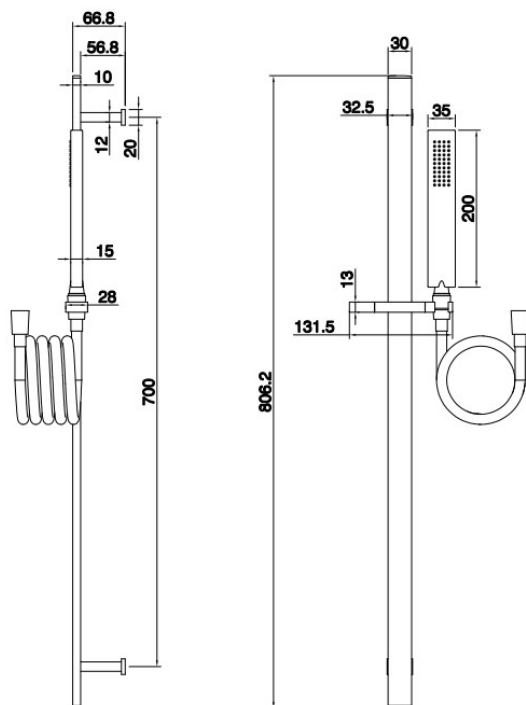
SAGITTARIUS

TAPS & SHOWERING

Construction	Brass, Stainless steel & ABS
Finishes	Brushed Brass
Product Type	Contemporary
Water Pressure Tested Between	Min. 0.5 bar, Max. 6.0 bar
Plumbing Systems	Suitable for all plumbing systems

SARNO SLIDE RAIL KIT BRUSHED BRASS SRK/538/BB

Certification	-
Packaging	85.5 x 31 x 39.5cm / carton (10 boxes), Dimension: 83.5 x 14 x 7.5cm / box Weight: 1.50Kg / box
Guarantee	1 year against manufacturing faults (excluding serviceable parts)
Additional Information	Chrome Brass 800mm Rail Chrome ABS Select Button 3 modes Shower handset Chrome adjustable brass handset holder Chrome 1.5m smooth PVC shower hose

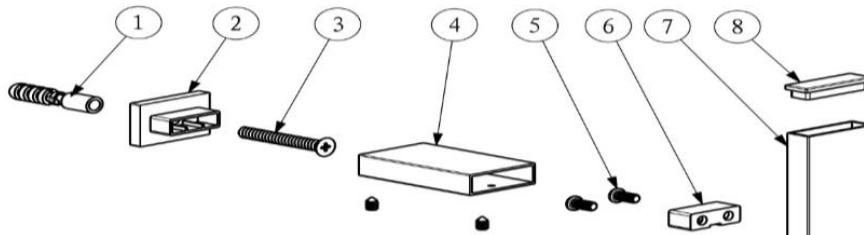


The information contained on this page was correct at the date of issue. Fitting dimensions are provided as a guide only. Some variation may occur due to manufacturing tolerances. We pursue a policy of continuing improvement in design and performance of our products and so reserve the right to change specifications without prior notice

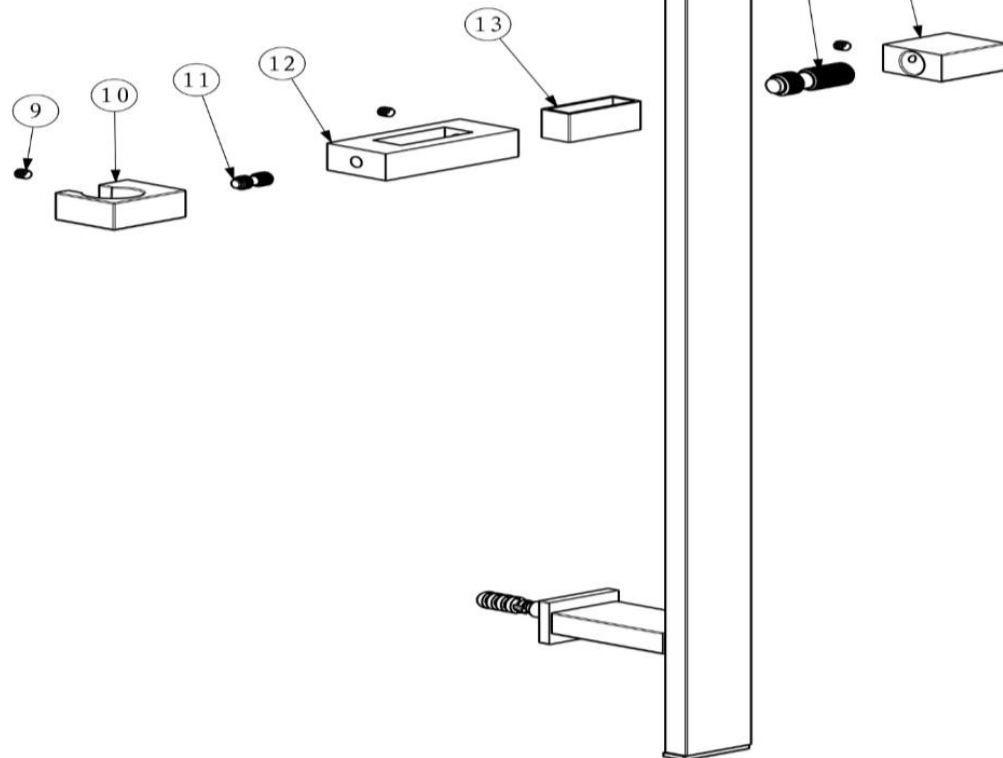
FOR FURTHER ADVICE PLEASE CONTACT :-
SAGITTARIUS LTD UNIT 1 LOWER VICTORIA STREET—CHADDERTON—OLDHAM—OL9 9TU TEL:0616 6202029
EMAIL:TECHNICAL@SAGITTARIUSTAPS.CO.UK

Flow Rates (Litres per minute)

System Pressure	0.1 Bar	0.2 Bar	0.3 Bar	0.5 Bar	1.0 Bar	1.5 Bar	2.0 Bar	3.0 Bar	4.0 Bar	5.0 Bar
	-	-	-	5.1	7.2	-	10.2	12.7	14.8	16.6



NO.	DESCRIPTION	QTY
1	ABS WALL PLUG	3
2	CHROME ABS BASE PLATE	2
3	M4x30 S/STEEL SELF-TAPPING SCREW	2
4	BRASS SQUARE CONNECTOR	2
5	M4x8 S/STEEL SCREW	4
6	ABS FIXING WASHER	2
7	30*10 BRASS RAIL	1
8	ABS RAIL END CAP	2
9	M4x5 S/STEEL GRUB SCREW	5
10	BRASS HANDSET HOLDER BRACKET	1
11	BRASS CONNECTION STEM	1
12	BRASS HANDSET HOLDER BODY	1
13	PP HANDSET HOLDER INSERT	1
14	BRASS TIGHTENING STEM	1
15	BRASS HANDSET HOLDER HANDLE	1



FOR FURTHER ADVICE PLEASE CONTACT :-

SAGITTARIUS LTD UNIT 1 LOWER VICTORIA STREET—CHADDERTON—OLDHAM—OL9 9TU TEL:0616 6202029

EMAIL:TECHNICAL@SAGITTARIUSTAPS.CO.UK