

SAGITTARIUS

TAPS & SHOWERING

Construction	Brass Body; Stainless steel Rail
Finishes	Chrome
Product Type	Contemporary
Water Pressure Tested Between Certification	Min. 0.2 bar (Handset) 1.0 bar (Shower Head), Max. 6.0 bar WRAS (2010080) approved and certified
Cartridge	Thermostatic cartridge and Integrated Ceramic disc valve diverter
Fitting	SS304 S-Union connectors (Male thread offset 1/2 inch x 3/4" BSP)
Guarantee	10 years against manufacturing faults (excluding serviceable parts)
Additional Information	<ol style="list-style-type: none"> 1. Temperature: Pre-set 38°C, with push button override to 48°C 2. Automatic shut off in the event of hot or cold water supply failure 3. Shower head : Chrome , Stainless steel , Square 200mm , rubber nozzles 4. Shower handset : Chrome , ABS , single mode , G1/2" BSP 5. Handset holder : Chrome , ABS , adjustable height 6. Shower hose : Chrome , Stainless steel , double interlock , 1.5m , G1/2" BSP 7. Riser rail : Chrome , Stainless steel SS201 , telescopic adjustable

**PARMA CUBE EXPOSED
VALVE AND RISER KIT
CHROME
SS/604**



Water pressure



Flow Rates (Litres per minute)

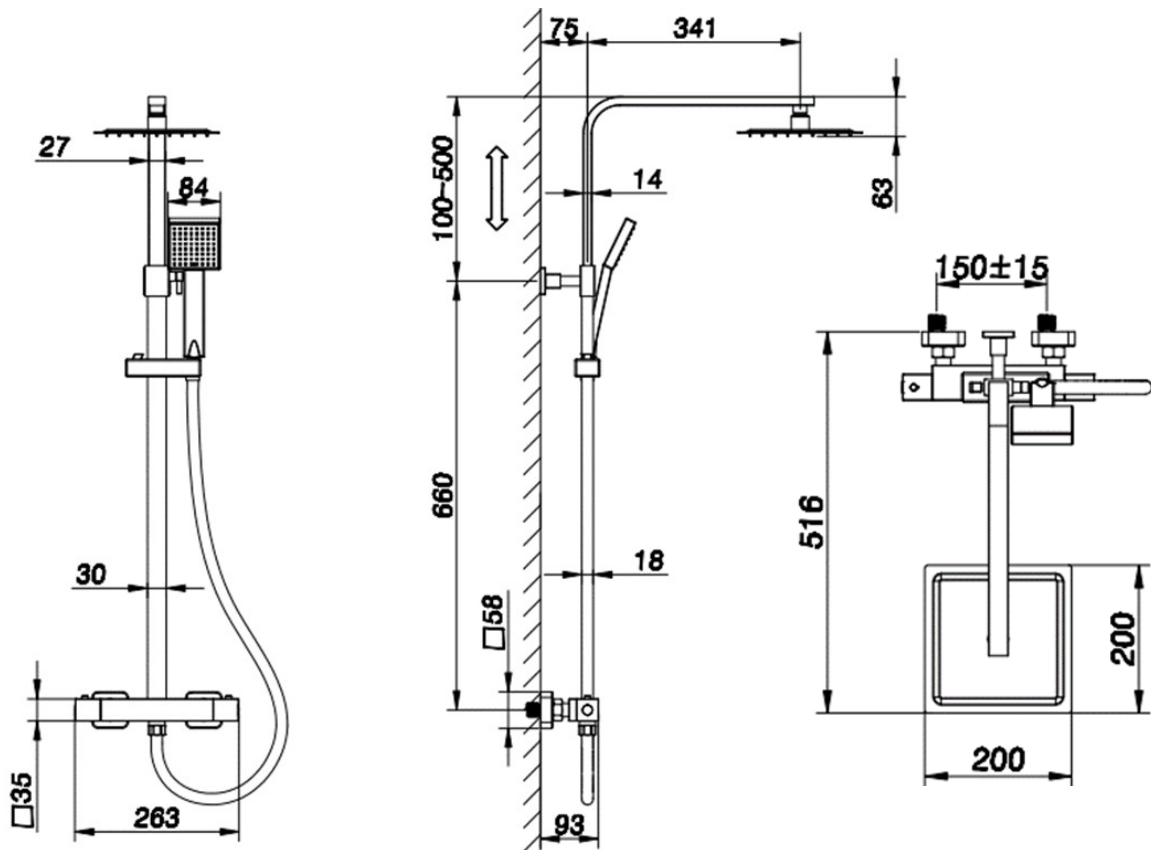
System Pressure	0.1 Bar	0.2 Bar	0.3 Bar	0.5 Bar	1.0 Bar	1.5 Bar	2.0 Bar	3.0 Bar	4.0 Bar	5.0 Bar
	3.9	5.2	6.1	7.8	10.8	13.2	15.3	18.8	21.9	24.6

The information contained on this page was correct at the date of issue. Fitting dimensions are provided as a guide only. Some variation may occur due to manufacturing tolerances. We pursue a policy of continuing improvement in design and performance of our products and so reserve the right to change specifications without prior notice

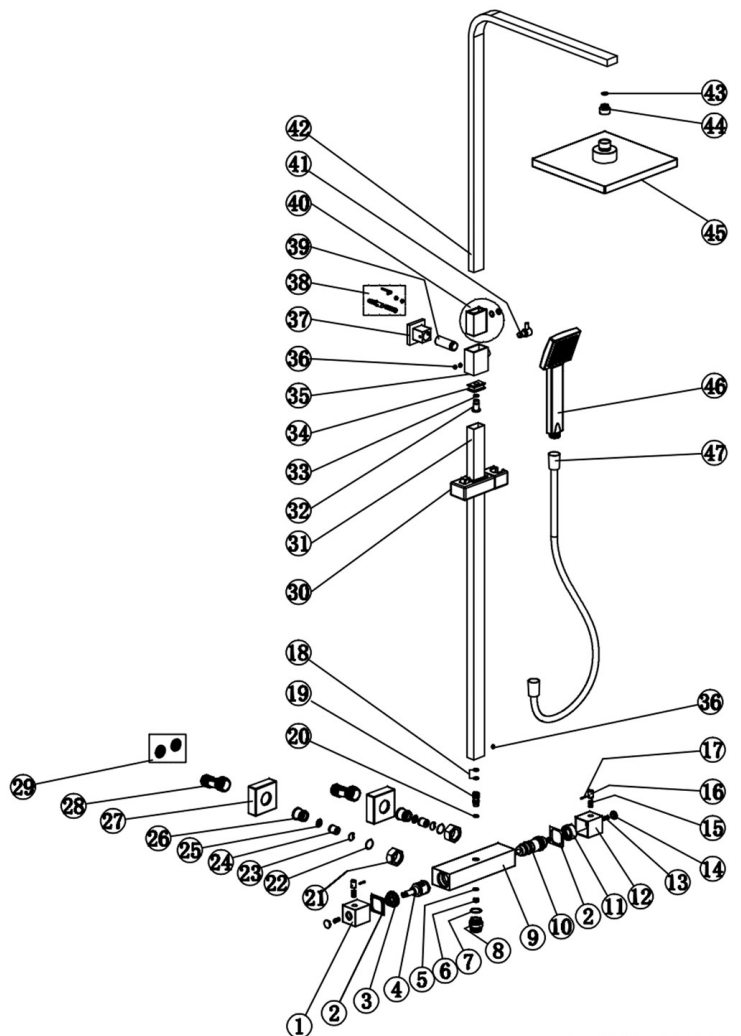
FOR FURTHER ADVICE PLEASE CONTACT :-

SAGITTARIUS LTD UNIT 1 LOWER VICTORIA STREET—CHADDERTON—OLDHAM—OL9 9TU TEL:0616 6202029

EMAIL:TECHNICAL@SAGITTARIUSTAPS.CO.UK



NO.	PART DESCRIPTION	QTY
1	ABS THERMO HANDLE	1
2	POM HANDLE WASHER	1
3	BRASS CARTRIDGE LOCK NUT	1
4	CERAMIC ON/OFF DIVERTER	1
5	Ø9*1.8 BRASS O-RING	1
6	M12 BRASS CAP	1
7	Ø16*2 NBR O-RING	1
8	G1/2 BRASS CONNECTOR	1
9	BRASS SHOWER BAR VALVE	1
10	THERMOSTATIC CARTRIDGE	1
11	POM THERMO STOP RING	1
12	ABS THERMO HANDLE	1
13	SS304 HANDLE SCREW	2
14	ABS HANDLE COVER	2
15	SS304 PUSH BUTTON SPRING	2
16	ABS SAFETY PUSH BUTTON	2
17	SS304 PUSH BUTTON PIN	2
18	Ø8.1*2 NBR O-RING	2
19	UPPER OUTLET CONNECTOR	1
20	Ø5.8*1.7 NBR O-RING	1
21	SS304 BACK NUT	2
22	Ø15.4*1.8 NBR O-RING	2
23	SS304 CIRCLIP	2
24	DN15 POM CHECK VALVE	2
25	FILTER WASHER	2
26	INLET CONNECTOR	2
27	SS304 SQUARE BASE PLATE	2
28	SS304 S-UNION CONNECTOR	2
29	3/4 FILTER WASHER	2
30	ABS HANDSET HOLDER	1
31	SS201 RISER RAIL	1
32	M10 CONNECTOR	1
33	Ø7*1.8 NBR O-RING	1
34	RAIL WASHER	1
35	RAIL CONNECTOR	1
36	M5*4 GRUB SCREW	2
37	WALL BRACKET	1
38	FIXING KIT	1
39	WALL BRACKET ROD	1
40	PLASTIC INSERT	1
41	ADJUSTMENT LEVER	1
42	SS201 SHOWER ARM	1
43	Ø13*1.8 NBR O-RING	1
44	SHOWER HEAD CONNECTOR	1
45	ABS SHOWER HEAD	1
46	ABS SHOWER HANDSET	1
47	G1/2" SHOWER HOSE 1.5m	1



FOR FURTHER ADVICE PLEASE CONTACT :-

SAGITTARIUS LTD UNIT 1 LOWER VICTORIA STREET—CHADDERTON—OLDHAM—OL9 9TU TEL:0616 6202029

EMAIL:TECHNICAL@SAGITTARIUSTAPS.CO.UK