

# SAGITTARIUS

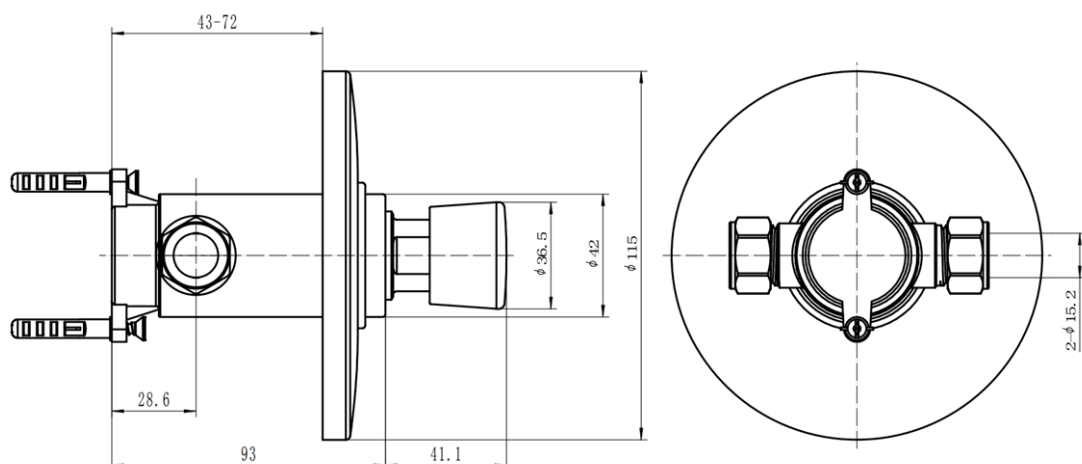
## TAPS & SHOWERING

**Product Type**  
**Water Pressure Tested Between**  
**Plumbing Systems**  
**Standards**  
**Certification**  
**Cartridge**  
**Aerator**  
**Fitting**  
**Packaging**  
**Guarantee**  
**Additional Information**

Contemporary  
Min. 1.5 bar, Max. 6.0 bar  
Suitable for all plumbing systems  
Complies with BS5412, BS EN200  
Manufactured to comply with CE  
Time adjustable Non concussive mixer valve  
-  
Brass 15mm Compression connection with Copper olives  
40 x 21 x 24.5cm / carton (20 boxes), Dimension: 9.5 x 7.5 x 11.5cm / box,  
Weight: 0.60Kg / box  
1 years against manufacturing faults (excluding serviceable parts)  
Adjustable flow time (Between 10 - 20 Seconds)

## NON CONCUSSIVE CONCEALED SHOWER VALVE

SV/561

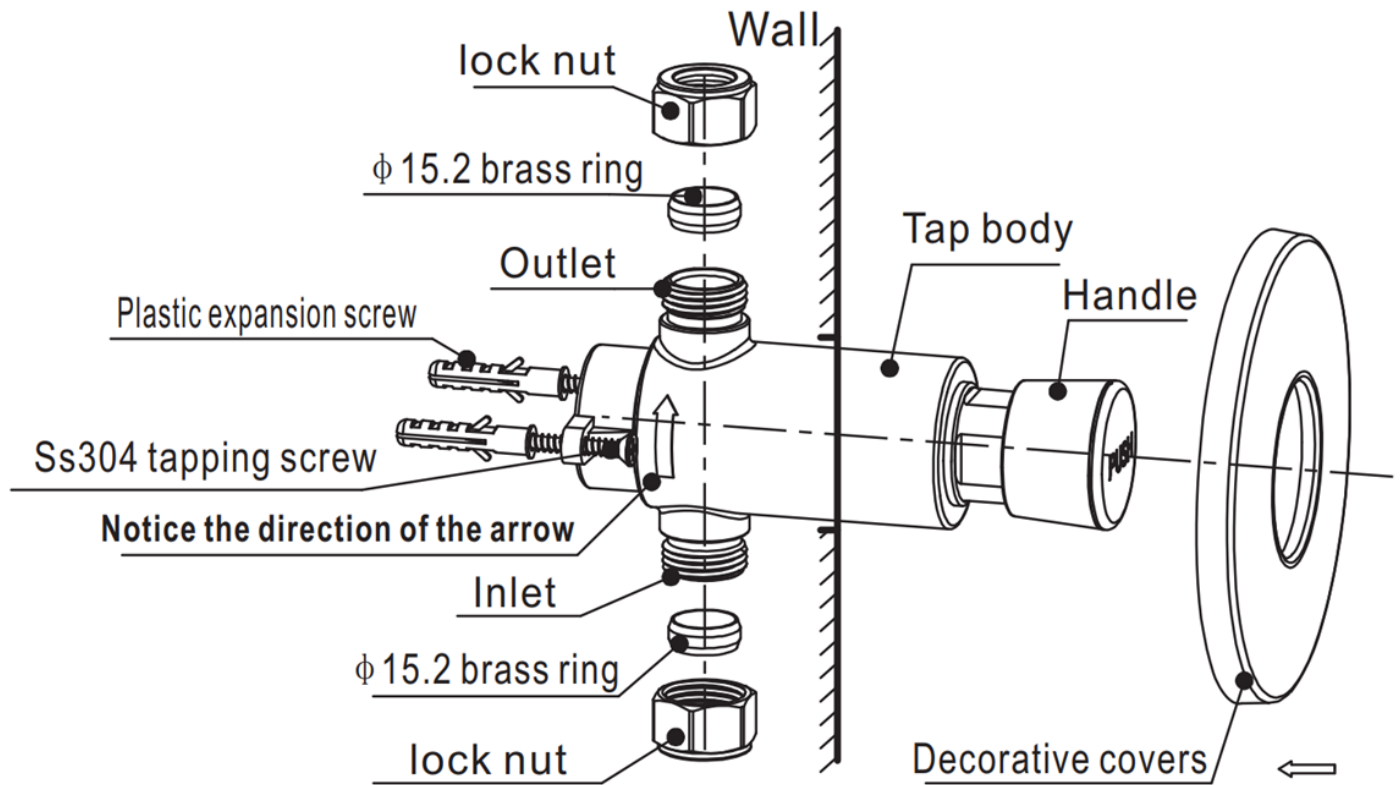


The information contained on this page was correct at the date of issue. Fitting dimensions are provided as a guide only. Some variation may occur due to manufacturing tolerances. We pursue a policy of continuing improvement in design and performance of our products and so reserve the right to change specifications without prior notice

FOR FURTHER ADVICE PLEASE CONTACT :-  
SAGITTARIUS LTD UNIT 1 LOWER VICTORIA STREET—CHADDERTON—OLDHAM—OL9 9TU TEL:0616 6202029  
EMAIL:TECHNICAL@SAGITTARIUSTAPS.CO.UK

**Flow Rates** (Litres per minute)

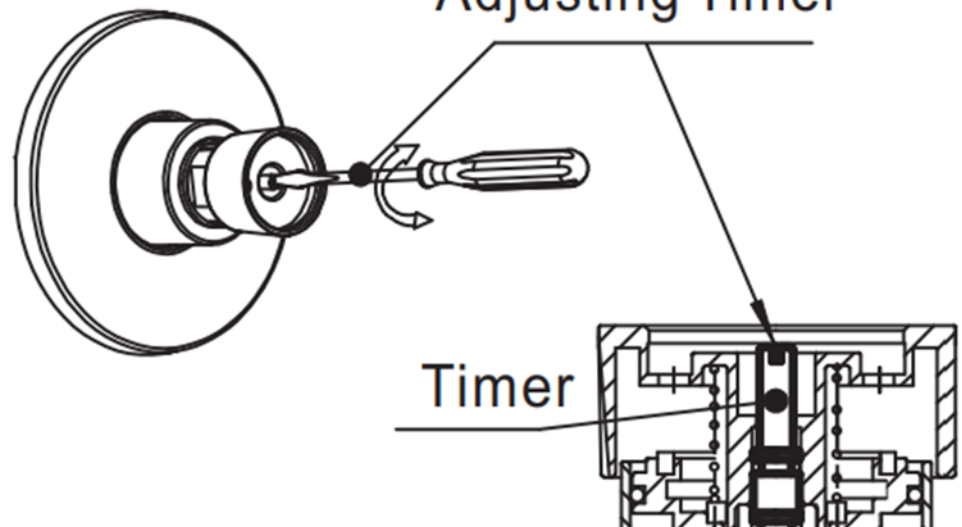
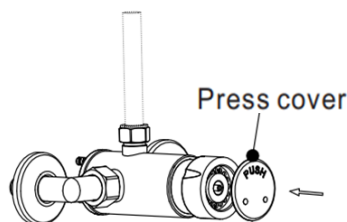
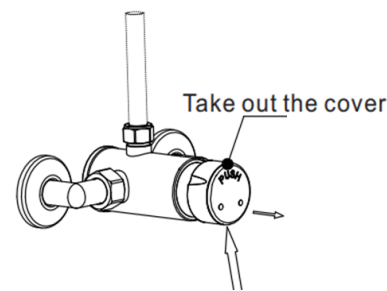
System Pressure	0.1 Bar	0.2 Bar	0.3 Bar	0.5 Bar	1.0 Bar	1.5 Bar	2.0 Bar	3.0 Bar	4.0 Bar	5.0 Bar
	-	-	-	2.6	4.5	4.9	5.6	7.0	8.0	8.7



2

1. Use the hand to hold the handle tight when adjust the time.
2. Turn screwdriver anti-clockwise to reduce the waterflow time. Turn screwdriver clockwise to increase waterflow time. Adjust time between 10s-20s.

**Adjusting Timer**



FOR FURTHER ADVICE PLEASE CONTACT :-

SAGITTARIUS LTD UNIT 1 LOWER VICTORIA STREET—CHADDERTON—OLDHAM—OL9 9TU TEL:0616 6202029

EMAIL:TECHNICAL@SAGITTARIUSTAPS.CO.UK