

SAGITTARIUS

TAPS & SHOWERING

FLARE MONOBLOC SINK MIXER WITH PO HANDSET KPO/271/C

Construction

Brass Body
(CuZn40Pb18);
Zinc-alloy Handle

Finishes

Chrome plated to
BS EN 248

Product Type

Contemporary

Water Pressure Tested Between

Min. 1.5 bar,
Max. 6.0 bar

Standards

Complies with
BS5412, BS
EN207

Cartridge

35mm Ceramic
disc cartridge

Fitting

G1/2" BSP Fe-
male Flexible in-
let connection
hoses

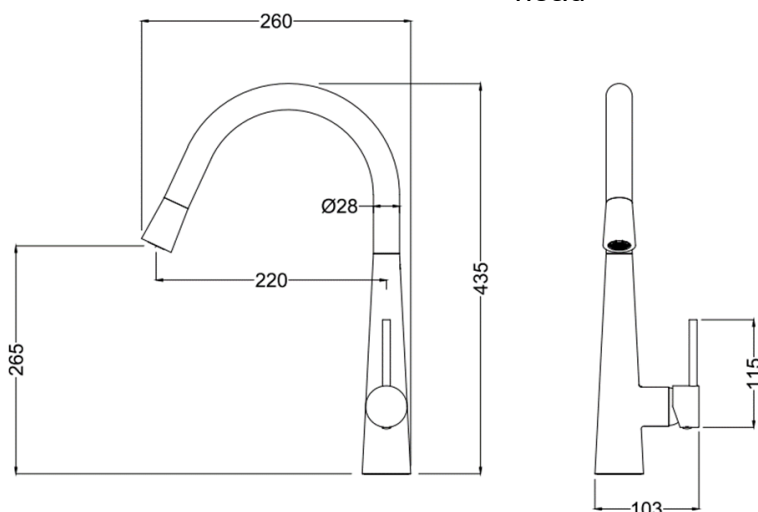
Aerator

Spout aerator
10 years against
manufacturing
faults (excluding
serviceable
parts)

Guarantee

Additional Information

1. Pull out Nylon hose
2. Brass Spray head



The information contained on this page was correct at the date of issue. Fitting dimensions are provided as a guide only. Some variation may occur due to manufacturing tolerances. We pursue a policy of continuing improvement in design and performance of our products and so reserve the right to change specifications without prior notice

FOR FURTHER ADVICE PLEASE CONTACT :-

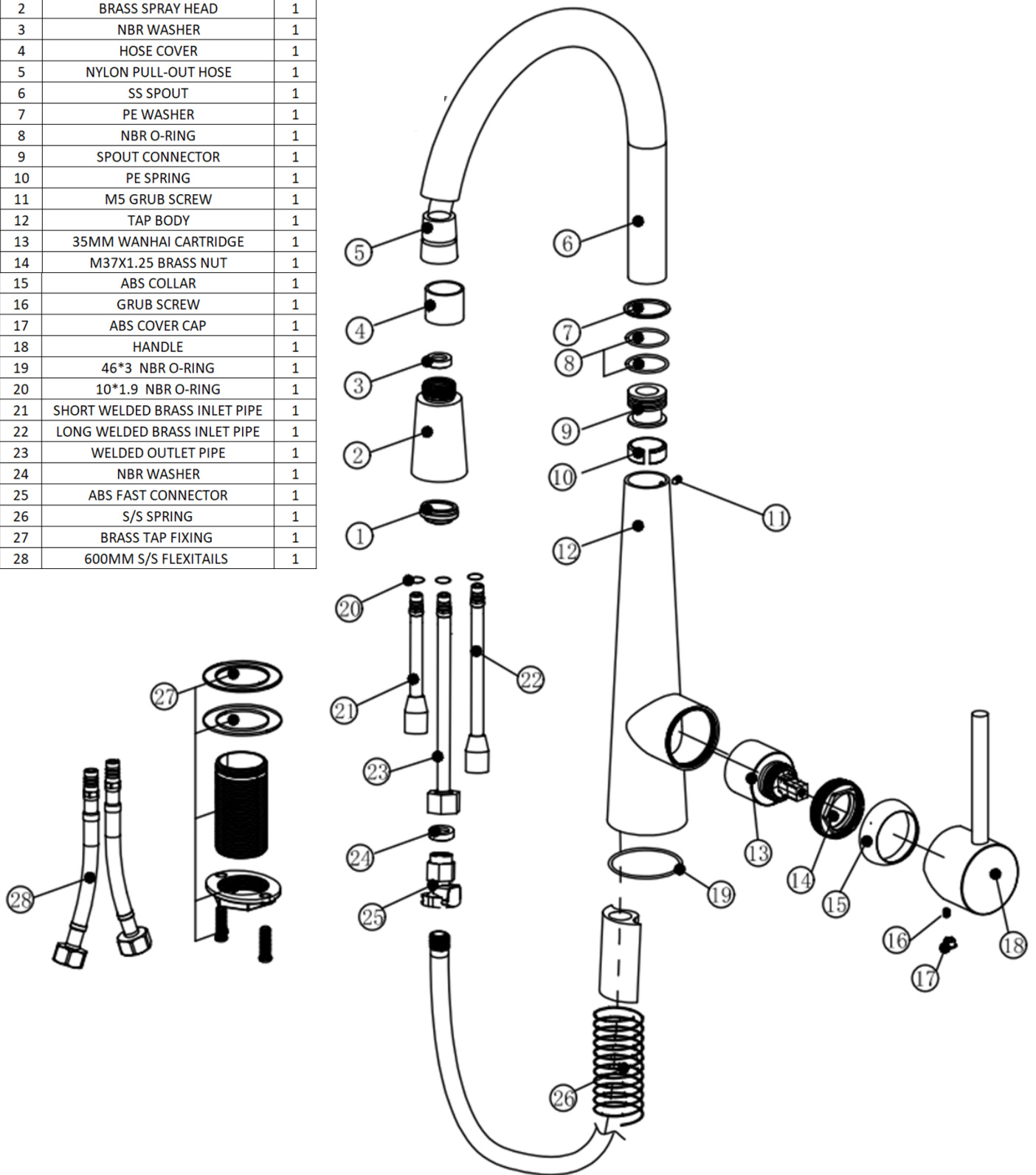
SAGITTARIUS LTD UNIT 1 LOWER VICTORIA STREET—CHADDERTON—OLDHAM—OL9 9TU TEL:0616 6202029

EMAIL:TECHNICAL@SAGITTARIUSTAPS.CO.UK

Flow Rates (Litres per minute)

System Pressure	0.1 Bar	0.2 Bar	0.3 Bar	0.5 Bar	1.0 Bar	1.5 Bar	2.0 Bar	3.0 Bar	4.0 Bar	5.0 Bar
	1.5	1.8	2.2	2.6	3.5	4.5	5.5	7.0	8.3	9.5

NO.	ITEM	QTY
1	M24 AERATOR	1
2	BRASS SPRAY HEAD	1
3	NBR WASHER	1
4	HOSE COVER	1
5	NYLON PULL-OUT HOSE	1
6	SS SPOUT	1
7	PE WASHER	1
8	NBR O-RING	1
9	SPOUT CONNECTOR	1
10	PE SPRING	1
11	M5 GRUB SCREW	1
12	TAP BODY	1
13	35MM WANHAI CARTRIDGE	1
14	M37X1.25 BRASS NUT	1
15	ABS COLLAR	1
16	GRUB SCREW	1
17	ABS COVER CAP	1
18	HANDLE	1
19	46*3 NBR O-RING	1
20	10*1.9 NBR O-RING	1
21	SHORT WELDED BRASS INLET PIPE	1
22	LONG WELDED BRASS INLET PIPE	1
23	WELDED OUTLET PIPE	1
24	NBR WASHER	1
25	ABS FAST CONNECTOR	1
26	S/S SPRING	1
27	BRASS TAP FIXING	1
28	600MM S/S FLEXTAILS	1



FOR FURTHER ADVICE PLEASE CONTACT :-

SAGITTARIUS LTD UNIT 1 LOWER VICTORIA STREET—CHADDERTON—OLDHAM—OL9 9TU TEL:0616 6202029

EMAIL:TECHNICAL@SAGITTARIUSTAPS.CO.UK