

SAGITTARIUS

TAPS & SHOWERING

Product Type

Brass Body CuZn40Pb2, EN CW617N (equivalent)
Chrome plated to BS EN 248
Contemporary

Standards

Certification

Cartridge

Aerator

Fitting

Packaging

Guarantee

Additional Information

Complies with BS6920, BS EN200

Manufactured to comply with CE

triduo® thermostatic

Neoperl Aerator

S union connectors

53.5 x 32.5 x 24cm / carton (4 boxes / carton)

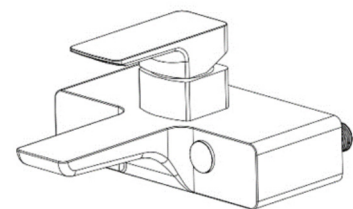
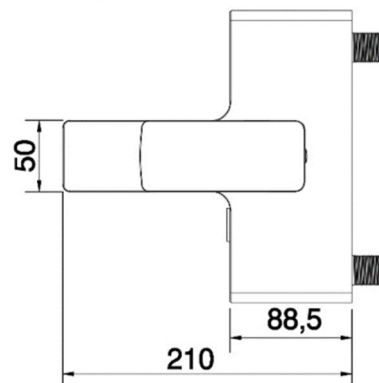
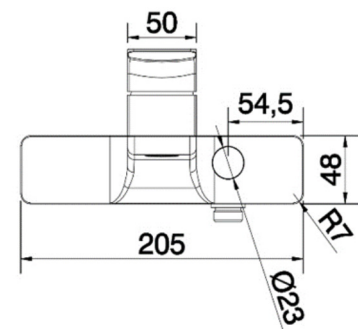
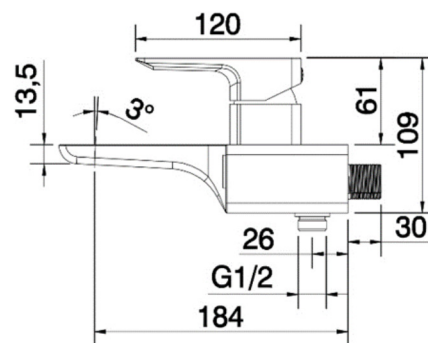
10 years against manufacturing faults (excluding serviceable parts).

Supplied with G 1 1/4" sprung waste(UK only)

RAVENNA PUSH BUTTON

THERMO BSM CHROME

RA/198/C



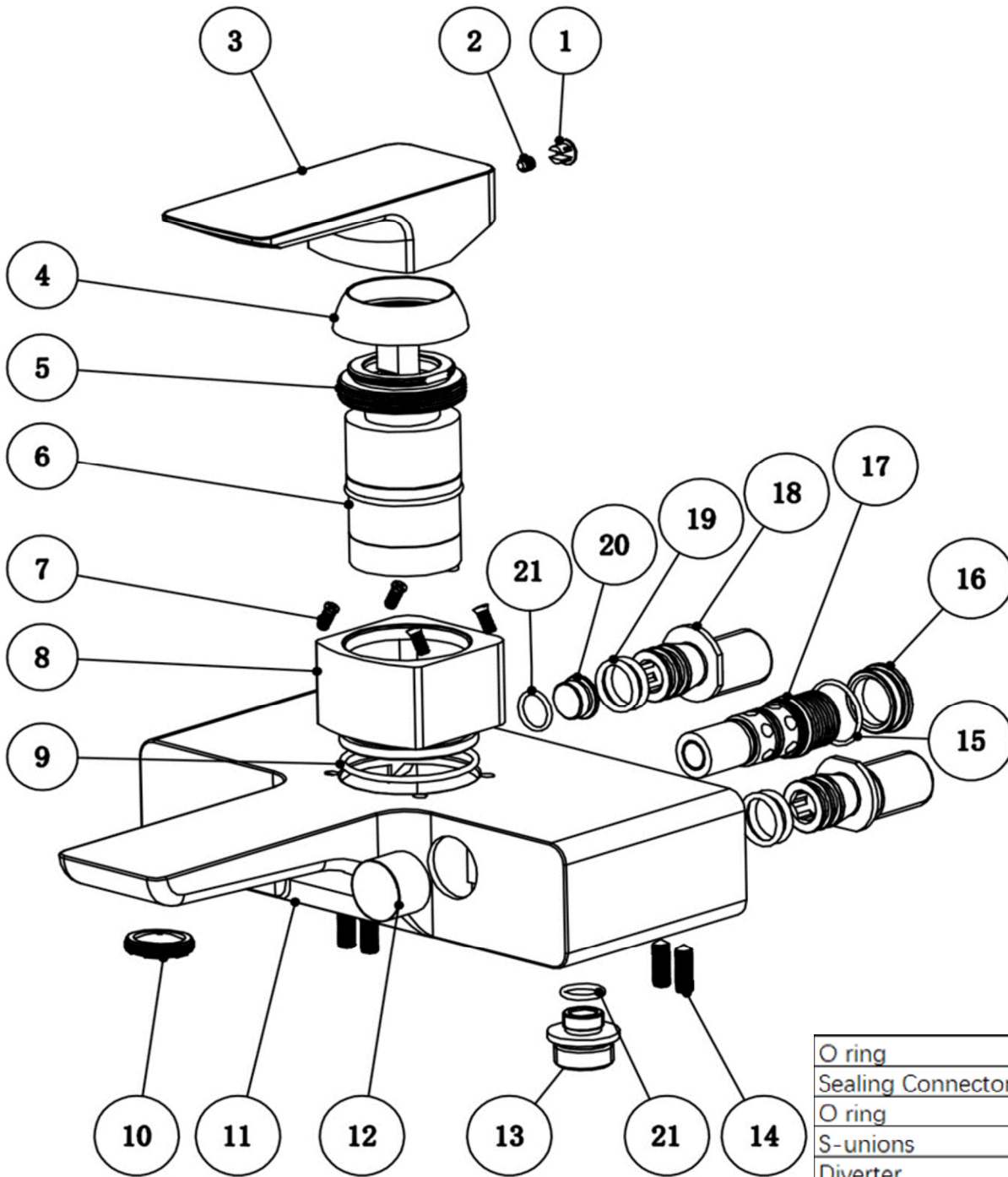
D13

The information contained on this page was correct at the date of issue. Fitting dimensions are provided as a guide only. Some variation may occur due to manufacturing tolerances. We pursue a policy of continuing improvement in design and performance of our products and so reserve the right to change specifications without prior notice

FOR FURTHER ADVICE PLEASE CONTACT :-

SAGITTARIUS LTD UNIT 1 LOWER VICTORIA STREET—CHADDERTON—OLDHAM—OL9 9TU TEL:0616 6202029

EMAIL:TECHNICAL@SAGITTARIUSTAPS.CO.UK



O ring	2
Sealing Connector	1
O ring	4
S-unions	2
Diverter	1
Sealing Plug	1
O ring	1
Screw	4
Connector	1
Knob	1
Body	1
Aerator	1
O ring	1
Cartridge Housing	1
Screw	4
Thermostatic Cartridge	1
Nut	1
Shroud	1
Handle	1
Screw	1
Grub	1
Description	Qty.