

BASIN MIXERS SUBWAY 3.0

PRODUCT INFORMATION



Article title	Villeroy & Boch Subway 3.0 Single-lever basin mixer without waste, Brushed Nickel Matt
Article number	TVW11200300064
Assembly / Assembly type	Deck-mounted
Scope of delivery	1 x tap fitting , 1 x fastening 2 x connecting hoses 1 x installation instructions
Length in mm	176
Width in mm	51
Height in mm	155
Collection	Subway 3.0
Weight in kg	1.502
Material	Brass
Surface	matt
Colour name	Brushed Nickel Matt
EAN number	4062373800348
Model number	TVW112003000
Air plus	An aerator enriches the water with air for a particularly soft, water-saving jet
Easy clean	Longer service life: optimum limescale removal by simply rubbing nozzles and aerators clean
Aqua smart	Sustainable, limited water flow: saving water without sacrificing on performance
Tap smartpressure	Constant water flow rate for washbasin mixers regardless of pressure fluctuations in the piping system
Length of spout in mm	134
Material	Brass
Volume	7,935
Angle jet regulator	4
Cartridge	Cartridge with ceramic discs
Handle position	Top
Number of tap holes	1
Diameter of faucet body	43
Swivel aerator	Yes
Water regulation	Water temperature is regulated 45° to each side
Thermostat	No
Cool Tap	No
Spray types	Comfort jet

COLOURS

Colour	Description	Article number	EAN
	Brushed Nickel Matt	TVW11200300064	4062373800348

CHARACTERISTICS



An aerator enriches the water with air for a particularly soft, water-saving jet



Sustainable, limited water flow: saving water without sacrificing on performance



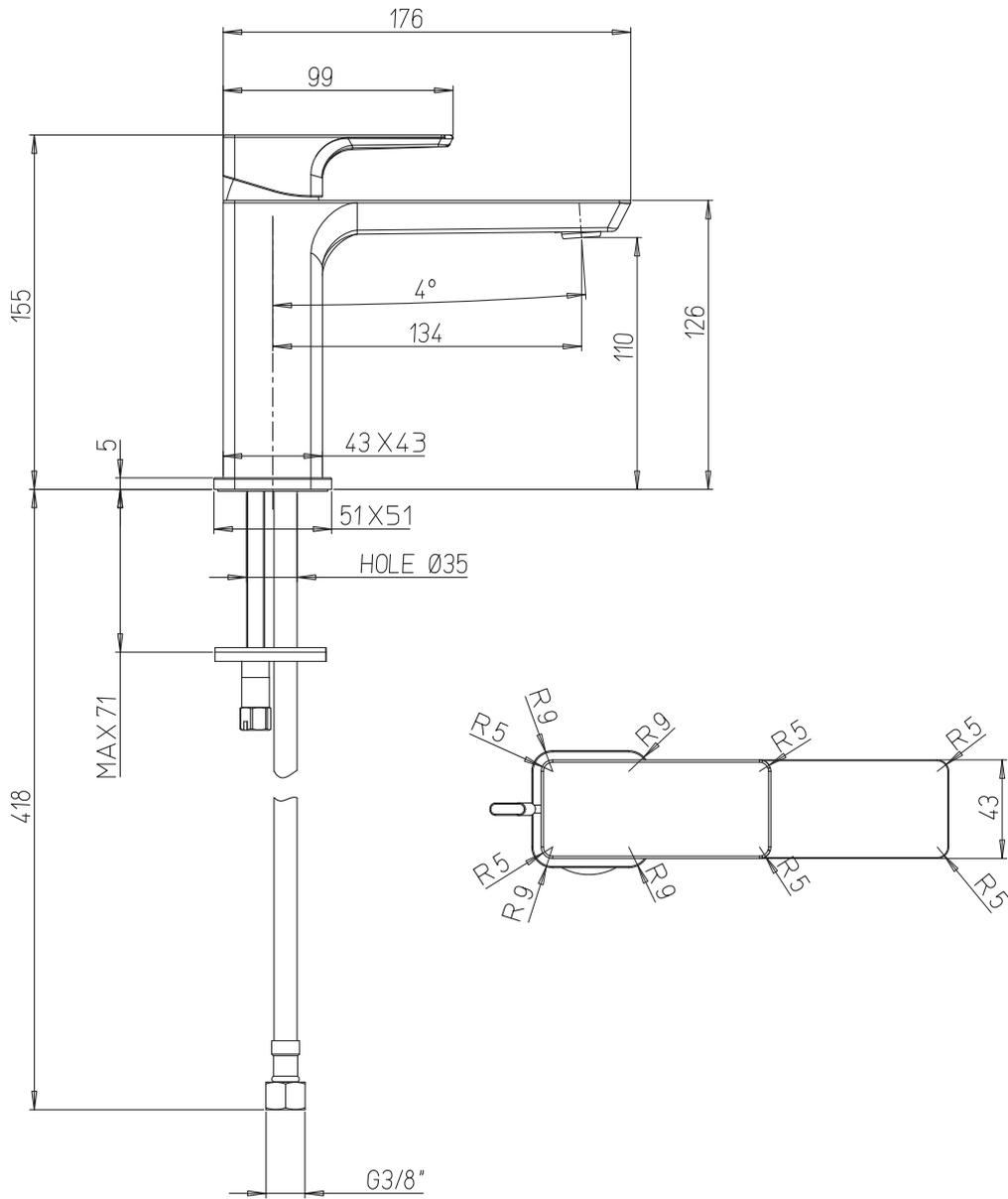
Longer service life: optimum limescale removal by simply rubbing nozzles and aerators clean



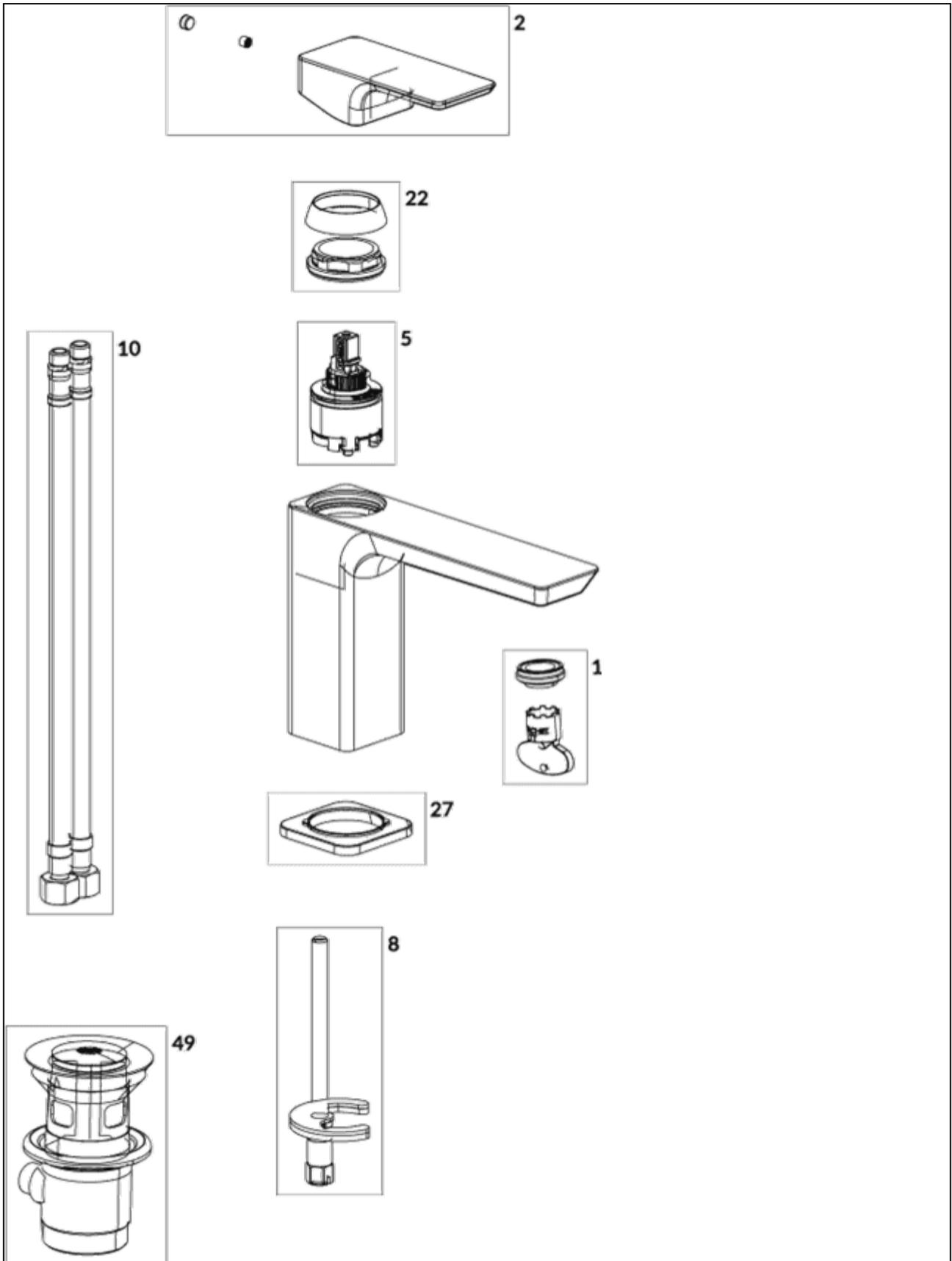
Constant water flow rate for washbasin mixers regardless of pressure fluctuations in the piping system

TECHNICAL DRAWINGS

TVW112003000



EXPLOSION DRAWINGS



BILL OF MATERIALS

No.	Article No.	Description	Quantity
1	TVP00007100000	Aerator set	1
5	TVP00000105000	Cartridge	1
8	TVP11202200000	Fastening set	1
10	TVP00013600000	Connecting hoses	1