

BASIN MIXERS SUBWAY 3.0

PRODUCT INFORMATION



Article title	Villeroy & Boch Subway 3.0 Single-lever basin mixer with draw bar outlet fitting, Chrome
Article number	TVW11200100061
Assembly / Assembly type	Deck-mounted
Scope of delivery	1 x tap fitting , 1 x aerator key 1 x outlet fitting 1 x fastening 2 x connecting hoses 1 x installation instructions
Length in mm	154
Width in mm	51
Height in mm	125
Collection	Subway 3.0
Weight in kg	1.702
Material	Brass
Surface	glossy
Colour name	Chrome
EAN number	4062373800232
Model number	TVW112001000
Air plus	An aerator enriches the water with air for a particularly soft, water-saving jet
Easy clean	Longer service life: optimum limescale removal by simply rubbing nozzles and aerators clean
Aqua smart	Sustainable, limited water flow: saving water without sacrificing on performance
Tap smartpressure	Constant water flow rate for washbasin mixers regardless of pressure fluctuations in the piping system
Length of spout in mm	112
Material	Brass
Volume	7,935
Angle jet regulator	4
Cartridge	Cartridge with ceramic discs
Handle position	Top
Number of tap holes	1
Diameter of faucet body	43
Swivel aerator	Yes
Water regulation	Water temperature is regulated 45° to each side
Thermostat	No
Cool Tap	No
Spray types	Comfort jet

COLOURS

Colour	Description	Article number	EAN
	Chrome	TVW11200100061	4062373800232

CHARACTERISTICS



An aerator enriches the water with air for a particularly soft, water-saving jet



Sustainable, limited water flow: saving water without sacrificing on performance



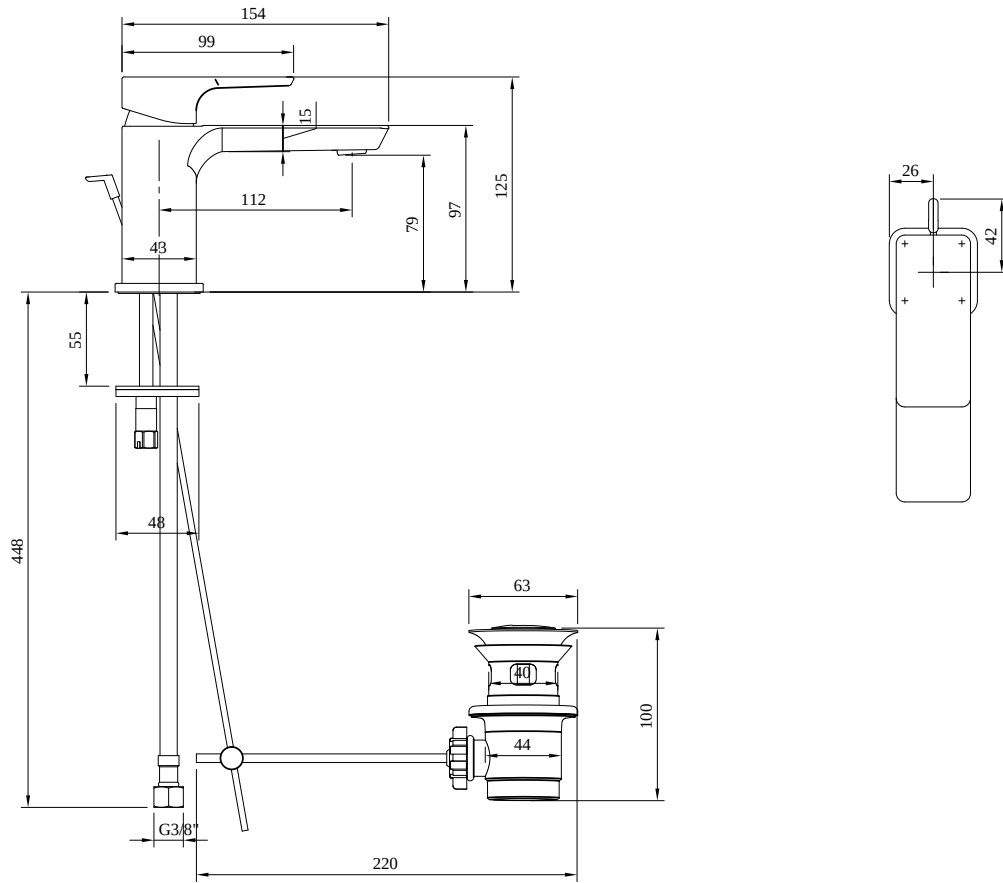
Longer service life: optimum limescale removal by simply rubbing nozzles and aerators clean



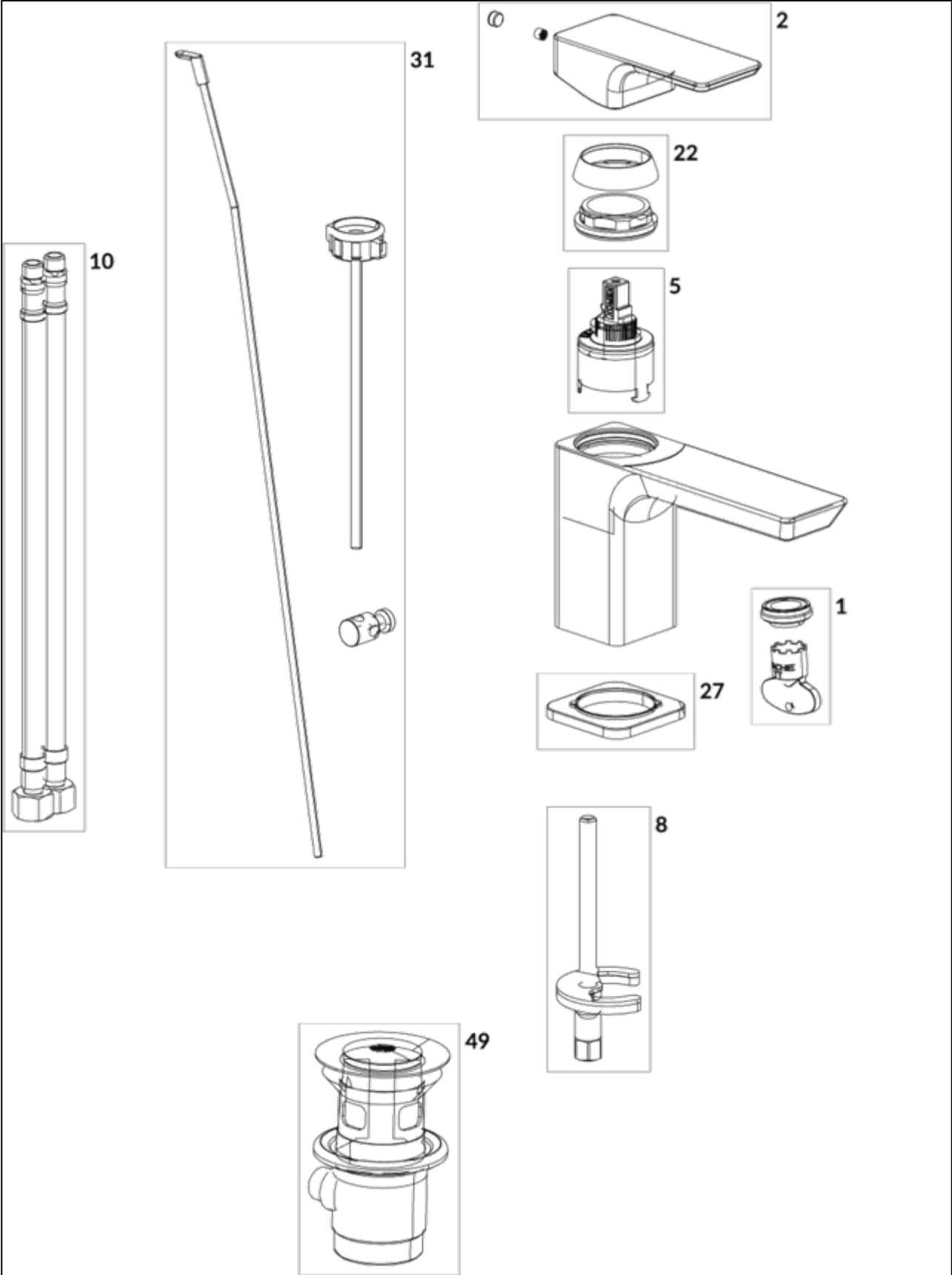
Constant water flow rate for washbasin mixers regardless of pressure fluctuations in the piping system

TECHNICAL DRAWINGS

TVW112001000



EXPLOSION DRAWINGS



BILL OF MATERIALS

No.	Article No.	Description	Quantity
1	TVP00007100000	Aerator set	1
2	TVP11200200061	Handle	1
5	TVP00000105000	Cartridge	1
8	TVP11202200000	Fastening set	1
10	TVP00013600000	Connecting hoses	1
49	TVP00000202061	Waste system	1