

BASIN MIXERS SUBWAY 3.0

PRODUCT INFORMATION



| | |
|--------------------------|--|
| Article title | Villeroy & Boch Subway 3.0 Single-lever basin mixer without waste, Matt Black |
| Article number | TVW112003000K5 |
| Assembly / Assembly type | Deck-mounted |
| Scope of delivery | 1 x tap fitting , 1 x fastening 2 x connecting hoses 1 x installation instructions |
| Length in mm | 176 |
| Width in mm | 51 |
| Height in mm | 155 |
| Collection | Subway 3.0 |
| Weight in kg | 1.502 |
| Material | Brass |
| Surface | matt |
| Colour name | Matt Black |
| EAN number | 4062373800324 |
| Model number | TVW112003000 |
| Air plus | An aerator enriches the water with air for a particularly soft, water-saving jet |
| Easy clean | Longer service life: optimum limescale removal by simply rubbing nozzles and aerators clean |
| Aqua smart | Sustainable, limited water flow: saving water without sacrificing on performance |
| Tap smartpressure | Constant water flow rate for washbasin mixers regardless of pressure fluctuations in the piping system |
| Length of spout in mm | 134 |
| Material | Brass |
| Volume | 7,935 |
| Angle jet regulator | 4 |
| Cartridge | Cartridge with ceramic discs |
| Handle position | Top |
| Number of tap holes | 1 |
| Diameter of faucet body | 43 |
| Swivel aerator | Yes |
| Water regulation | Water temperature is regulated 45° to each side |
| Thermostat | No |
| Cool Tap | No |
| Spray types | Comfort jet |

COLOURS

| Colour | Description | Article number | EAN |
|---|-------------|----------------|---------------|
|  | Matt Black | TVW112003000K5 | 4062373800324 |

CHARACTERISTICS



An aerator enriches the water with air for a particularly soft, water-saving jet



Sustainable, limited water flow: saving water without sacrificing on performance



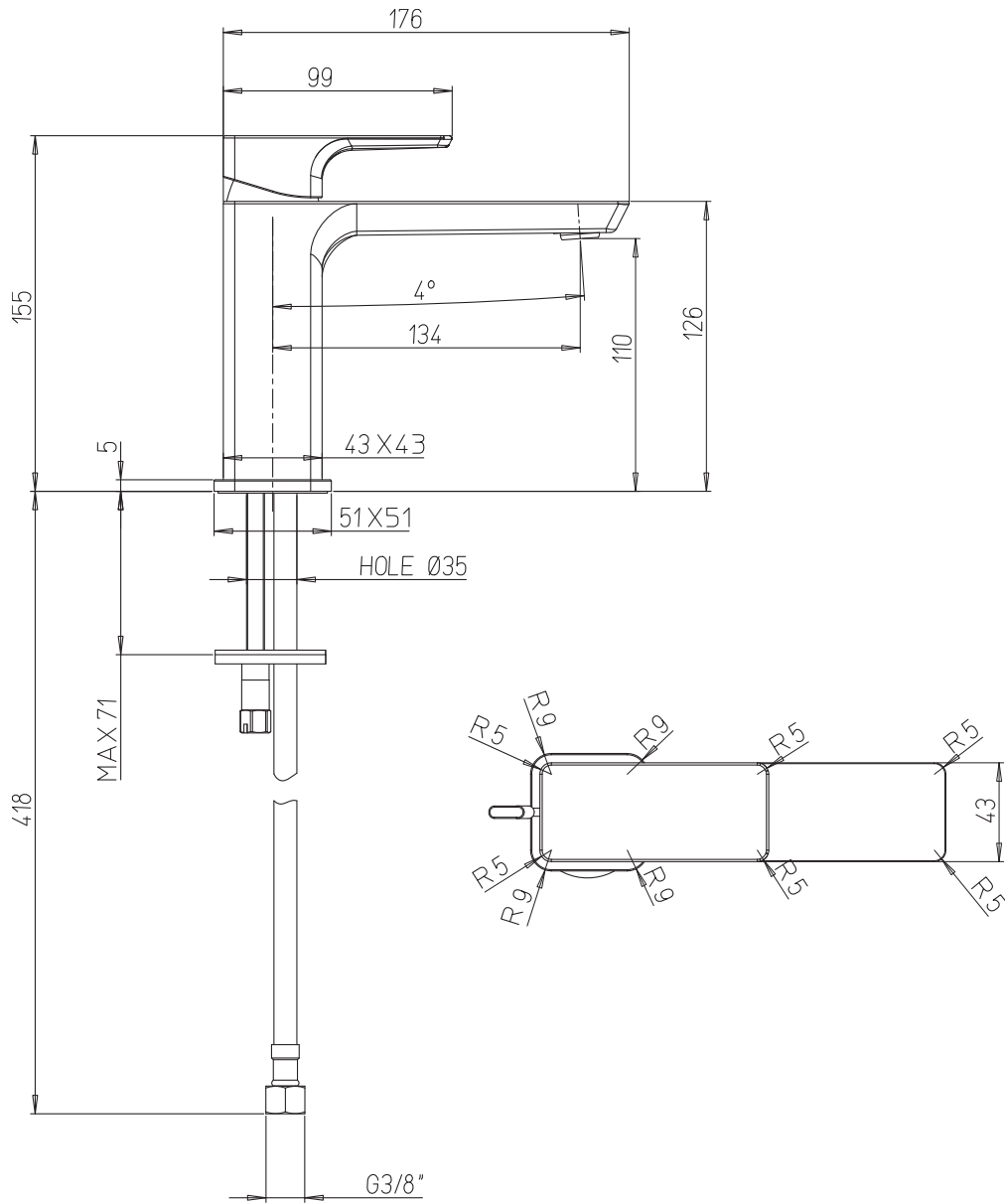
Longer service life: optimum limescale removal by simply rubbing nozzles and aerators clean



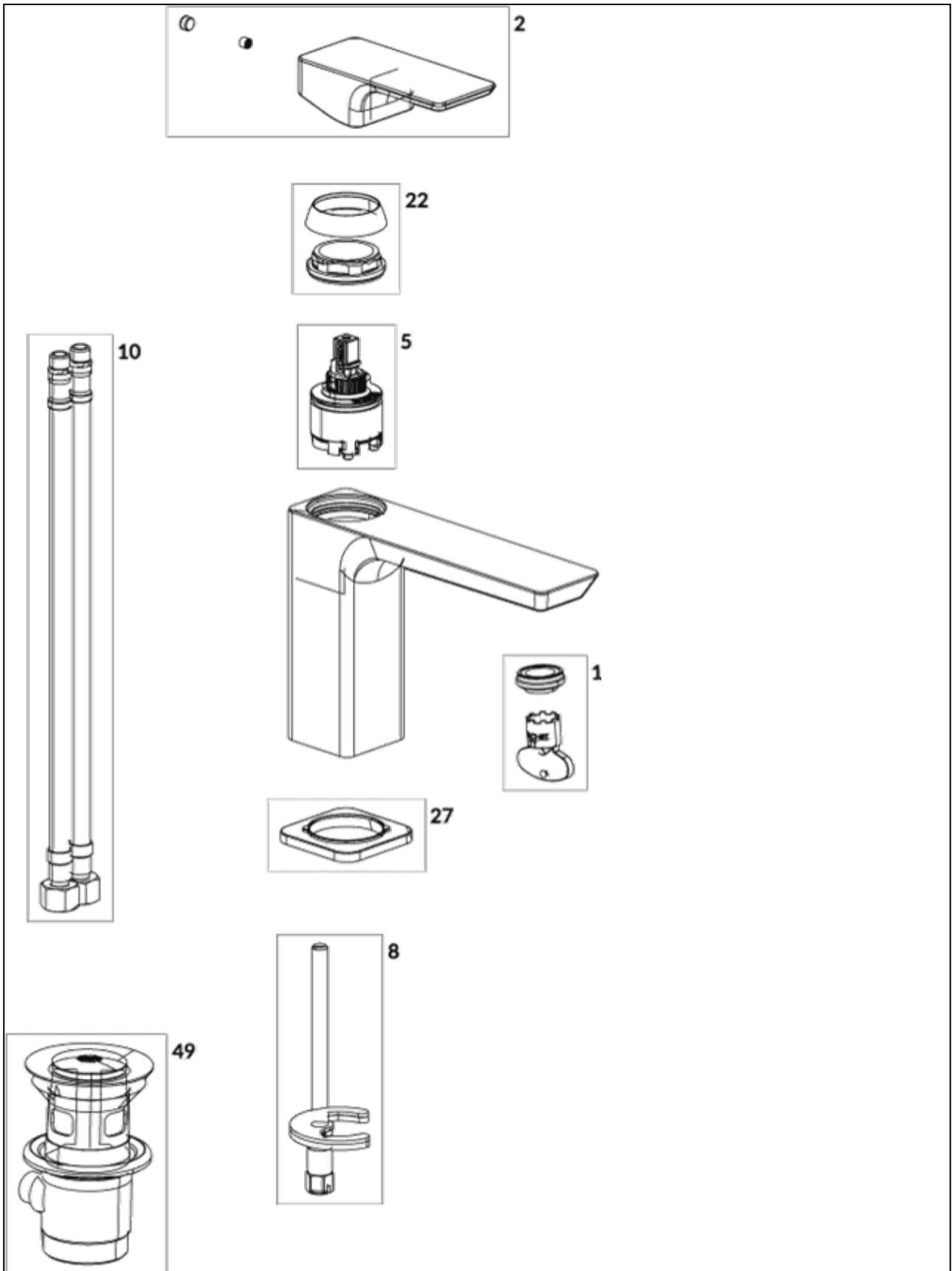
Constant water flow rate for washbasin mixers regardless of pressure fluctuations in the piping system

TECHNICAL DRAWINGS

TVW112003000



EXPLOSION DRAWINGS



BILL OF MATERIALS

| No. | Article No. | Description | Quantity |
|-----|----------------|------------------|----------|
| 1 | TVP00007100000 | Aerator set | 1 |
| 5 | TVP00000105000 | Cartridge | 1 |
| 8 | TVP11202200000 | Fastening set | 1 |
| 10 | TVP00013600000 | Connecting hoses | 1 |