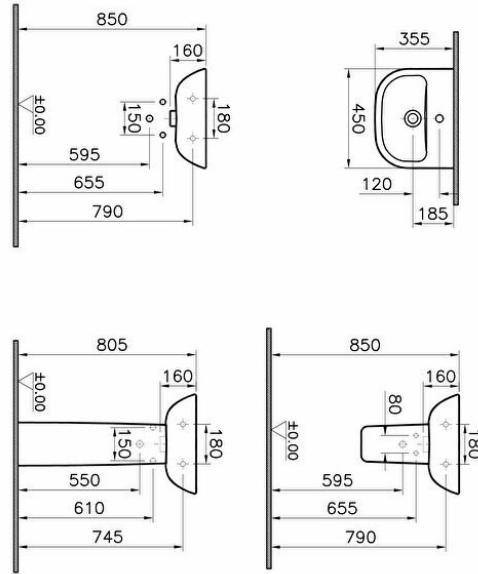


**Collection: S20****Technical specifications**

<b>Colour</b>	White	<b>Overflow Hole</b>	With Overflow
<b>Height</b>	160	<b>Certificate</b>	CE
<b>Width</b>	450	<b>Body Material</b>	VC- Vitreous China
<b>Depth</b>	355	<b>Marketing Measure (cm)</b>	45X36 CM
<b>Designer</b>	Noa	<b>Overflow Hole Detail</b>	With Overflow
<b>Finish</b>	Hygiene	<b>Tap Hole Options</b>	Double Tap Holes
<b>Material</b>	Hygiene	<b>Ceramic Sanitaryware</b>	
		<b>Guarantee</b>	10
<b>Drainer</b>	Not included		
<b>Syphon</b>	Syphon Not Included		

### 2A technical drawing



### Technical specifications

**Colour:** White **Height:** 160 **Width:** 450 **Depth:** 355 **Designer:** Noa **Finish:** Hygiene **Material:** Hygiene **Overflow Hole:** With Overflow **Certificate:** CE **Body Material:** VC- Vitreous China **Marketing Measure (cm):** 45X36 CM **Overflow Hole Detail:** With Overflow **Tap Hole Options Ceramic Sanitaryware:** Double Tap Holes **Guarantee:** 10 **Drainer:** Not included **Syphon:** Syphon Not Included